

**SPECIFICATIONS**

**Header Connector**

**Mechanical**

Contact Retention Force: 0.454kg Min.

**Electrical**

Voltage Rating: 125V

Current Rating: 1.0A Per Pin Min.

Contact Resistance: 20 MW max

Dielectric Withstanding Voltage: 250V AC

Insulation Resistance: 100MW min

**Physical**

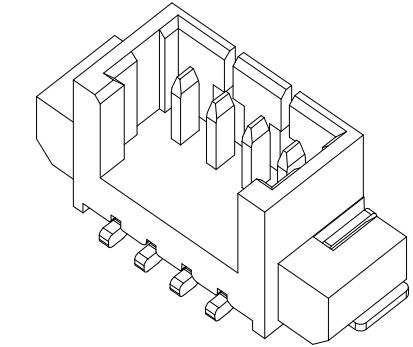
Housing: High Temp thermoplastic, UL94V-0, Rated In Ivory Color

Contact: Copper Alloy

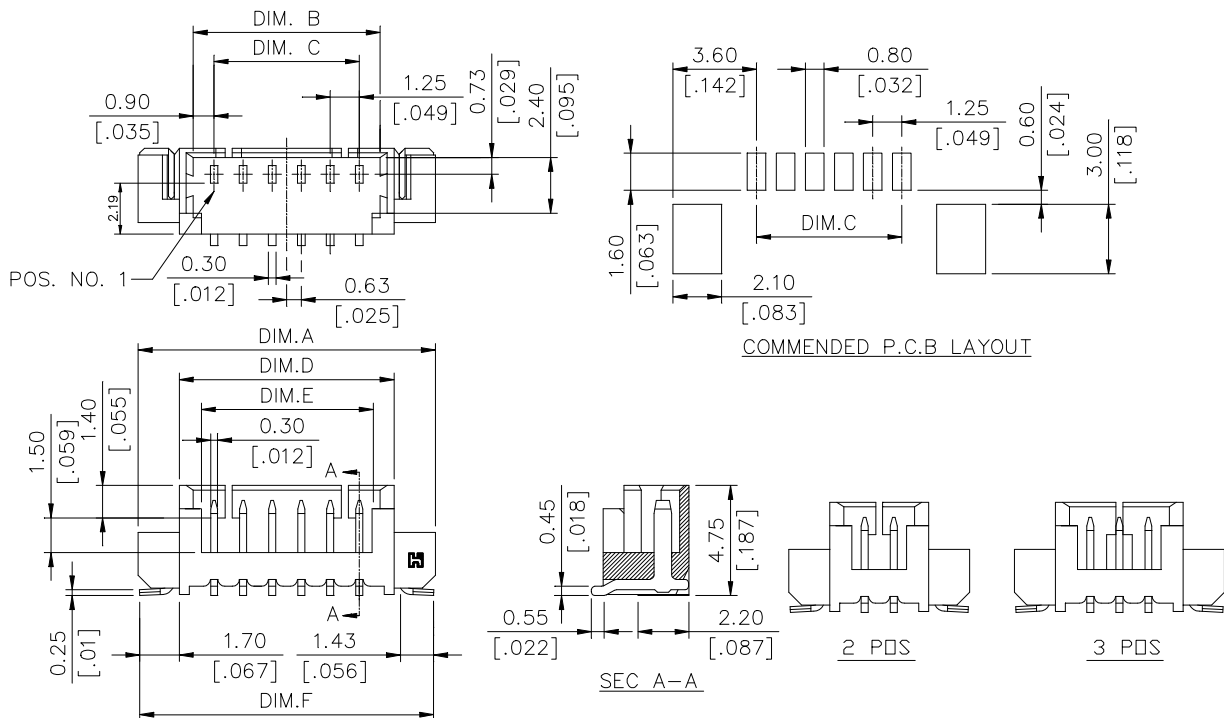
Plating: See "ORDERING INFORMATION"

Solder Pad: Copper Alloy

Operating Temperature: -40 to +85

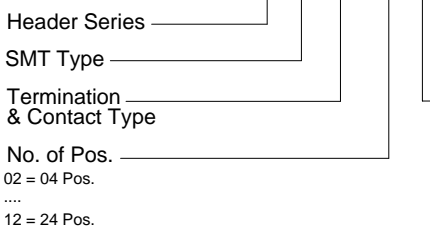


**DRAWING**



**ORDERING INFORMATION**

PRODUCT NO.: H S 8 1 \* \* \*



HS8112*-***	12	20.29 [.799]	15.55 [.613]	13.75 [.542]	16.75 [.66]	14.85 [.585]	20.15 [.794]
HS8110*-***	10	17.79 [.701]	13.05 [.514]	11.25 [.443]	14.25 [.561]	12.35 [.487]	17.65 [.695]
HS8108*-***	08	15.29 [.602]	10.55 [.416]	9.75 [.384]	11.75 [.463]	9.85 [.388]	15.15 [.597]
HS8107*-***	07	14.04 [.553]	9.30 [.366]	7.50 [.296]	10.50 [.414]	8.60 [.339]	13.90 [.548]
HS8106*-***	06	12.79 [.504]	8.05 [.317]	6.25 [.246]	9.25 [.364]	7.35 [.29]	12.65 [.498]
HS8104*-***	04	10.29 [.405]	5.55 [.219]	3.75 [.148]	6.75 [.266]	4.85 [.191]	10.15 [.4]
HS8103*-***	03	9.04 [.356]	4.30 [.169]	2.50 [.098]	5.50 [.217]	3.80 [.15]	8.90 [.351]
HS8102*-***	02	7.79 [.307]	3.05 [.120]	1.25 [.049]	4.25 [.167]	2.35 [.093]	7.65 [.301]
P/N	POS.	DIM. A	DIM. B	DIM. C	DIM. D	DIM. E	DIM. F