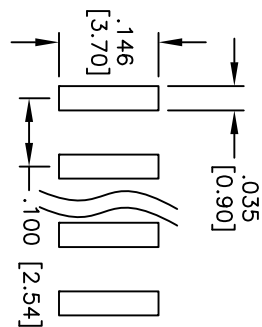
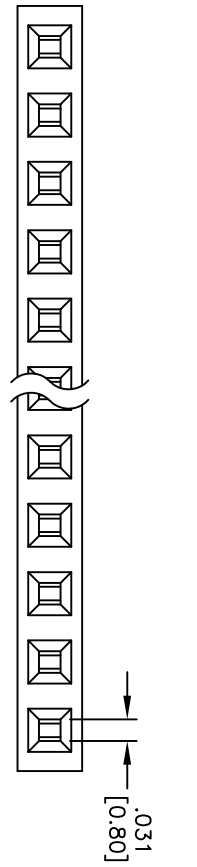
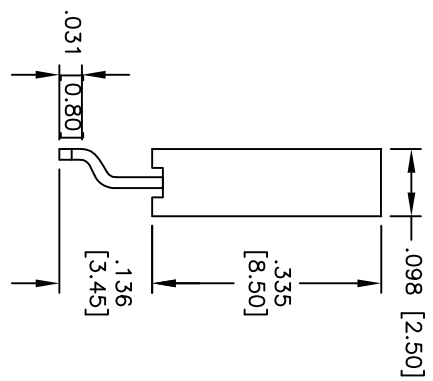
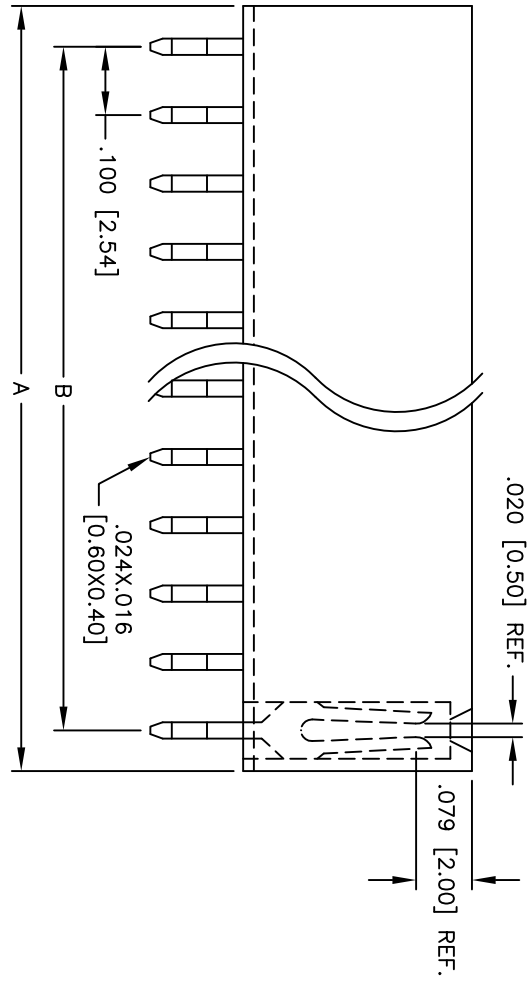


Rev	AWO #	Description	Date	Appr
-		RELEASED	3/25/11	

APPROVED: _____
 DATE: _____ TITLE: _____



RECOMMENDED PCB LAYOUT



PACKAGED ON TAPE & REEL

Positions: 02 thru 40
 A = .100 [2.54] x No. of Positions + .020 [0.50]
 B = .100 [2.54] x No. of Spaces

SPECIFICATIONS:

Material: LCP, glass reinforced, rated UL 94V-0
Insulator color: Black
Contacts: Phosphor Bronze
Plating: Gold flash over Nickel underplate overall.

Electrical:

Current rating: 3 Amps max.
Contact resistance: 20 mohms max. initial
Insulation resistance: 1,000 Mohms min.
Dielectric withstanding voltage: 600 VAC for 1 minute
Temperature Rating: Operating temperature: -40°C to +105°C
Environmental: Lead free, RoHS compliant



ADAM TECH

909 Railway Avenue, Union, NJ 07083
 Phone: 908-687-5000 Fax: 908-687-5710

TITLE: .100 [2.54] SINGLE ROW RECEPTACLE STRIP
RIGHT ANGLE, SMT TYPE, .335 [8.50] HEIGHT

UNLESS OTHERWISE SPECIFIED ALL DIMENSIONS ARE INCHES [MM]		TOLERANCES: EXCEPT AS NOTED	
INCHES		HOLE SIZES	
.X ± .10	ØXX ± .10		
.XX ± .020	ØXXX ± .015		
.XXX ± .015	ØXXXX ± .010		
APPROVALS		DATE	
DRAWN	DY	3/25/11	
CHECKED			
APPROVED			
SIZE	PART NO.	SCALE	REV.
X	RS1R-XX-G-SMT-T/R	NTS	
REF: S00032T			SHEET 1 OF 1