

PRODUCT NUMBER

10118615-XXX.XXX.XLF

LEAD FREE OPTION
(SEE NOTES 1)

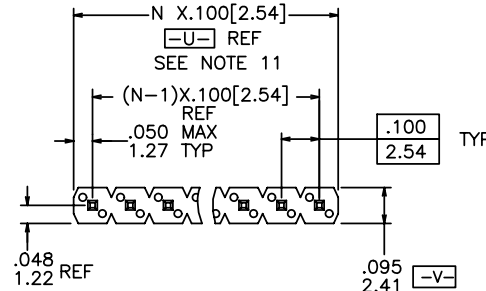
PACKAGING OPTIONS
(SEE NOTE 1)

INDICATE DIFFERENT MATING LENGTH
AND TAIL LENGTH AND POLARIZED PIN
AND OTHER INFORMATION

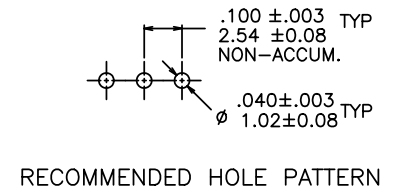
NO OF
POSITIONS
(SEE NOTE 1)

PIN PLATING
(SEE SHEET 2)

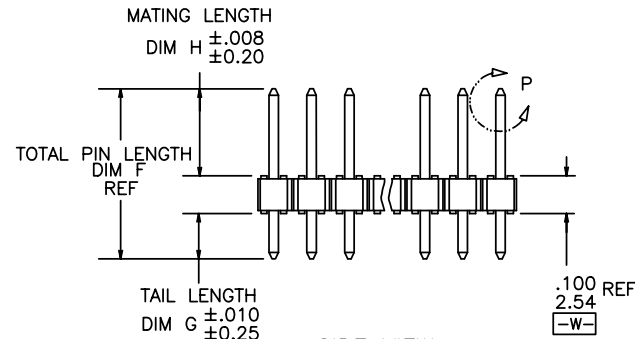
BASE PART NO.



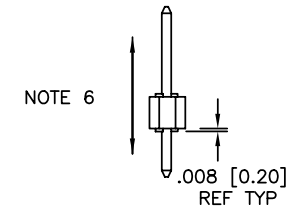
TOP VIEW



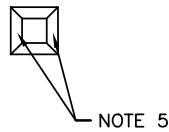
RECOMMENDED HOLE PATTERN



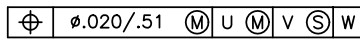
SIDE VIEW



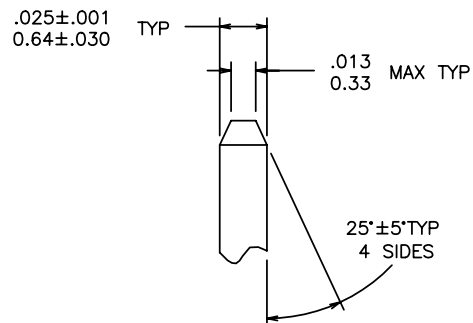
END VIEW



NOTE 5



NOTE 4



DETAIL P
TYP BOTH ENDS

mat'l. code NOTE 2 & 3		surface ISO 1302 ✓	tolerance ISO 406 ISO 1101	projection ISO 1101	product family BERGSTIK
tr/ecn no/dt A ZK 09/02/11		tolerances unless otherwise specified		title BERGSTIK® II HEADER .100/2.54cc SR SRAIGHT	
B	ELX-N-010288 J.Z 2012-02-13	angles	line	INCH/MM	dwg no 10118615
C	ELX-N-013189 DCS 2012-10-08	0° ±2°	XXXX±.0020/XXX±.05	scale 2:1	sheet 1 of 4 size A3
		chr	ZK.HU 09/02/11	FCJ	type Product Customer Drawing
		engr	ZK.HU 09/02/11		
		chr	J.ZHOU 09/02/11		
		appd	R.BIAN 09/02/11		
sheet index	revision sheet	C 1	C 2	C 3	C 4

PIN PLATING CODES:	
10118615-1YYXXX	30u"/0.76u MIN (SEE NOTE 8) OVER 50u"/1.27u MIN Ni
10118615-2YYXXX	15u"/0.38u MIN (SEE NOTE 8) OVER 50u"/1.27u MIN Ni
10118615-3YYXXX	50u"/1.27u MIN (SEE NOTE 8) OVER 50u"/1.27u MIN Ni
10118615-4YYXXX	100u"/2.54u MIN Sn OVER 50u"/1.27u MIN Ni (SEE NOTE 9)
10118615-5YYXXX	30u"/0.76u MIN Au OVER 50u"/1.27u MIN Ni
10118615-6YYXXX	15u"/0.38u MIN Au OVER 50u"/1.27u MIN Ni
10118615-7YYXXX	15u"/0.38u MIN GXT OVER 50u"/1.27u MIN Ni
10118615-8YYXXX	30u"/0.76u MIN GXT OVER 50u"/1.27u MIN Ni
10118615-9YYXXX	50u"/1.27u MIN Au OVER 50u"/1.27u MIN Ni

- ③. PIN MATERIAL : COPPER ALLOY.
- ④. MEASURED WITH PART IN RESTRAINED CONDITION.
- ⑤. TWO SIDES OF PIN TIPS NOT PLATED. TYPICAL BOTH ENDS.
- ⑥. 2LBS/0.9KG MIN PIN RETENTION IN EITHER DIRECTION.
- ⑦. THESE PRODUCTS MEETS EUROPEAN UNION DIRECTIVES AND OTHER COUNTRY REGULATION AS DESCRIBED IN GS-22-008.
- ⑧. PLATING OPTIONS:
MAY BE EITHER GOLD OR GXT PLATED AT MANUFACTURER'S OPTION.
- ⑨. THIS PRODUCT HAS 100% TIN PLATING IN THE INTERFACE AND HAS NOT BEEN TESTED FOR WHISKER GROWTH IN ALL INTERCONNECT ENVIRONMENTS.
- 10. THE OAL DON'T EXCEED 34.5mm.
- ⑪. TO DETERMINE DIMENSIONS:
N=NUMBER OF POSITION PER ROW
EXAMPLE: 10 POS. N X .100/2.54

NOTES

- ①. PART NUMBER OPTIONS:

PIN PLATING CODES (SEE ABOVE)

NUMBER OF POSITIONS :

ANY NUMBER OF POSITIONS FROM 1 THRU 36.
-X00 INDICATES BERGSTRIK PRODUCT. SEE PAGE 3 FOR SPECIAL GEOMETRY OF THIS CONTINUOUS STRIP PRODUCT. AUTOMATED REELS WILL CONTAIN 36,000 PINS. SEE SPECIFIC PART NUMBERS FOR AVAILABILITY.

PACKAGING :

NO INDICATOR IS STANDARD PACKAGING IN POLY BAGS.
PART NUMBERS FOLLOWED BY A "T" ARE PACKAGED IN TUBES. SEE SPECIFIC PART NUMBERS FOR AVAILABILITY.
PART NUMBERS FOLLOWED BY A "C" ARE PACKAGED IN TUBES WITH PICKUP CAP APPLIED. (NOT TOOLED)
PART NUMBERS FOLLOWED BY A "A" ARE PACKAGED IN TAPE/REEL WITH PICKUP CAP APPLIED.

LEAD FREE :

ADD "LF" SUFFIX AT THE END OF PART NUMBER FOR LEAD FREE OPTION.

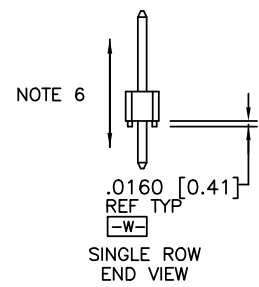
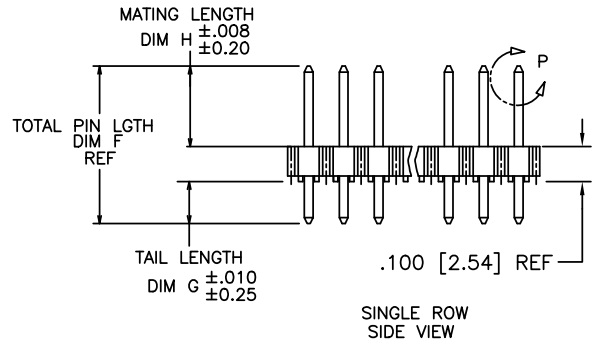
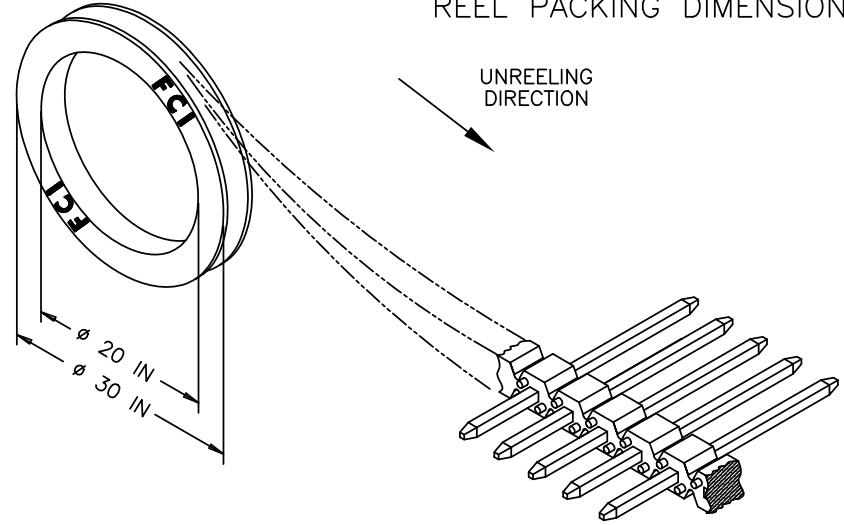
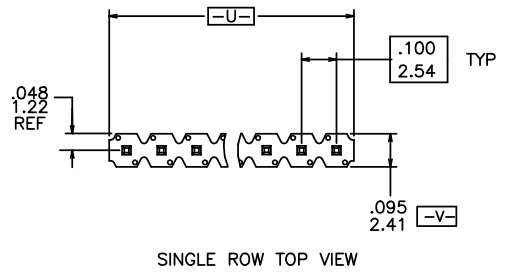
- ②. BODY MATERIAL :

PART NUMBERS WILL BE SUPPLIED WITH HIGH TEMPERATURE THEROPLASTIC.
PART NUMBERS WILL WITHSTAND EXPOSURE TO 260°C PEAK TEMPERATURE FOR 20 SECONDS IN WAVE SOLDER, INFRA-RED OR VAPOR PHASE SOLDER PROCESS.

mat'l. code NOTE 2 & 3		surface ISO 1302 ✓	tolerance ISO 406 ISO 1101	projection 	product family BERGSTIK			
l	tr	ec	n	no	dr	date	tolerances unless otherwise specified	title
c							angles linea 0°±2'	scale 2:1
							dr	ZK.HU 09/02/11
							en	ZK.HU 09/02/11
							chr	J.ZHOU 09/02/11
							app	R.BIAN 09/02/11
sheet index		revision sheet		dwg no		sheet 2 of 4		size
				10118615				A3
				type		Product Customer Drawing		

BERGSTRIPTM HEADER

REEL PACKING DIMENSIONS



mat'l. code NOTE 2 & 3		surface ISO 1302 ✓	tolerance ISO 406 ISO 1101	projection INCH/MM	product family BERGSTIK
ltr ecn no dr date		tolerances unless otherwise specified		scale 2:1	title BERGSTIK® II HEADER .100/2.54cc SR SRAIGHT
c		angles 0°±2'	line XX±.01/XX±.3 XXX±0.005/XXX±.13 XXXX±.0020/XXX±.05		
dr	ZK.HU	09/02/11		FCJ	dwg no sheet 3 of 4 size
enr	ZK.HU	09/02/11			10118615 A3
chr	J.ZHOU	09/02/11			type Product Customer Drawing
app	R.BIAN	09/02/11			
sheet index	revision sheet				

FCI
FCIconnect.com

Copyright FCI

PRODUCT NUMBER	TOTAL PIN LGTH		TAIL LENGTH		MATING LENGTH		BERGSTRIIP AVAILABLE	POLARIZED PIN	LF OPTION
	DIM F	DIM F	DIM G	DIM G	DIM H	DIM H			
	ENGLISH	METRIC	ENGLISH	METRIC	ENGLISH	METRIC			
10118615-YYY001LF	0.548	13.92	0.130	3.30	0.318	8.08	NO	-	NOTE 1,7
10118615-YYY002LF	1.095	27.81	0.765	19.43	0.230	5.84	NO	-	NOTE 1,7
10118615-YYY003LF	0.555	14.10	0.120	3.05	0.335	8.51	NO	-	NOTE 1,7
10118615-YYY004LF	0.350	8.90	0.098	2.50	0.152	3.86	NO	-	NOTE 1,7
10118615-YYY005LF	0.825	20.96	0.500	12.70	0.225	5.72	NO	-	NOTE 1,7
10118615-YYY006LF	0.631	16.04	0.1575	4.00	0.374	9.50	NO	-	NOTE 1,7
10118615-YYY007LF	0.474	12.04	0.079	2.00	0.295	7.50	NO	-	NOTE 1,7
10118615-YYY008LF	0.530	13.47	0.135	3.43	0.295	7.50	NO	-	NOTE 1,7
10118615-YYY009LF	0.315	8.00	0.095	2.41	0.120	3.05	NO	-	NOTE 1,7
10118615-YYY010LF	0.525	13.34	0.107	2.72	0.318	8.08	NO	-	NOTE 1,7
10118615-YYY011LF	0.650	16.51	0.120	3.05	0.430	10.92	NO	-	NOTE 1,7
10118615-YYY012LF	0.480	12.19	0.095	2.41	0.285	7.24	NO	-	NOTE 1,7
10118615-YYY013LF	0.475	12.07	0.120	3.05	0.255	6.48	NO	-	NOTE 1,7
10118615-YYY014LF	0.825	20.96	0.115	2.92	0.610	15.49	NO	-	NOTE 1,7
10118615-YYY015LF	0.538	13.67	0.120	3.05	0.318	8.08	NO	-	NOTE 1,7
10118615-YYY016LF	0.938	23.83	0.520	13.21	0.318	8.08	NO	-	NOTE 1,7
10118615-YYY017LF	0.440	11.18	0.110	2.79	0.230	5.84	NO	-	NOTE 1,7
10118615-YYY018LF	0.720	18.29	0.120	3.05	0.500	12.07	NO	-	NOTE 1,7
10118615-YYY019LF	0.760	19.30	0.120	3.05	0.540	13.72	NO	-	NOTE 1,7
10118615-YYY020LF	0.410	10.41	0.110	2.79	0.200	5.08	NO	-	NOTE 1,7



FCIconnect.com

Copyright FCI

mat'l. code NOTE 2 & 3	surface ISO 1302 ✓	tolerance ISO 406 ISO 1101	projection 	product family BERGSTIK
tr/echn nodr	date	tolerances unless otherwise specified		title BERGSTIK® II HEADER .100/2.54cc SR SRAIGHT
c		angles 0°±2'	line XX±.01/XX±.3 XXX±.0.005/XXX±.13 XXXX±.0020/XXX±.05	scale 2:1
dr	ZK.HU	09/02/11		dwg no
enr	ZK.HU	09/02/11		sheet 4 of 4
chr	J.ZHOU	09/02/11		size A3
app	R.BIAN	09/02/11		type Product Customer Drawing
sheet index	revision sheet			