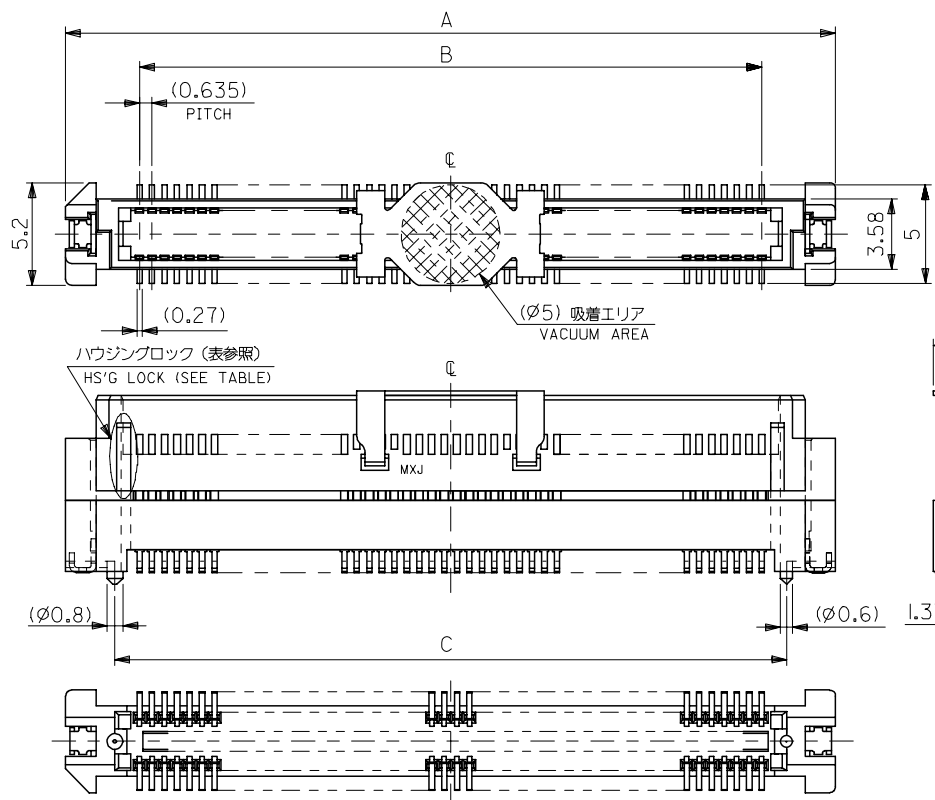


10 9 8 7 6 5 4 3 2 1

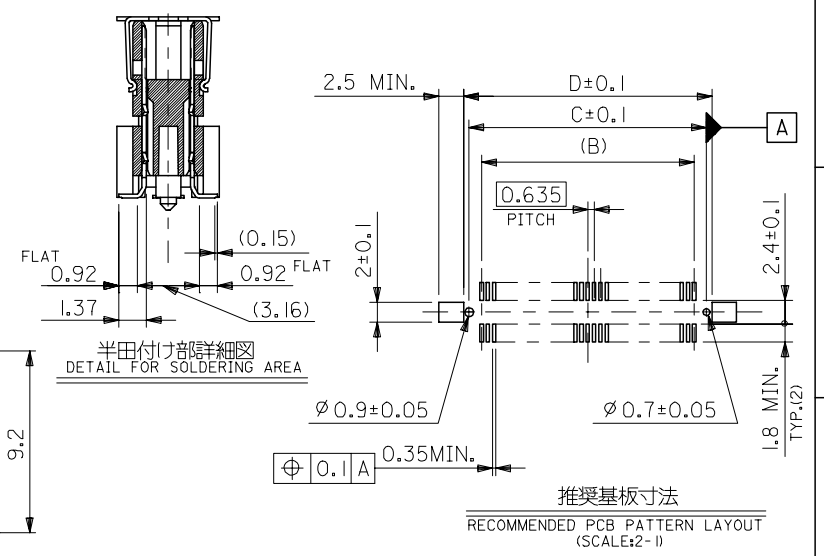


NOTES

1. 材質
 MATERIAL
 ハウジング: ガラス入りPPS、茶色、UL94V-0
 HOUSING: POLYPHENYLENE SULFIDE, GLASS FILLED, BROWN, UL94V-0
 ターミナル: 銅合金 (t=0.2)、ニッケルメッキ下地1.5マイクロメートル以上
 TERMINAL: COPPER ALLOY, UNDER-PLATING: NICKEL 1.5 MICROMETER MIN.
 接点部 : 金メッキ 0.25マイクロメートル以上
 CONTACT AREA: GOLD 0.25 MICROMETER MIN.
 半田付け部 : 錫メッキ1.0マイクロメートル以上
 SOLDER TAIL AREA: TIN 1.0 MICROMETER MIN.
 ネール : リン青銅(t=0.2)、ニッケルメッキ下地1.0マイクロメートル以上
 NAIL: PHOSPHOR BRONZE, UNDER-PLATING: NICKEL 1.0 MICROMETER MIN.
 錫メッキ1.0マイクロメートル以上
 TIN 1.0 MICROMETER MIN.
 吸着カバー: ステンレス (t=0.2)
 VACUUM COVER: STAINLESS STEEL

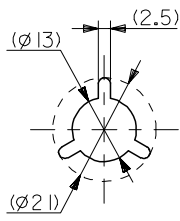
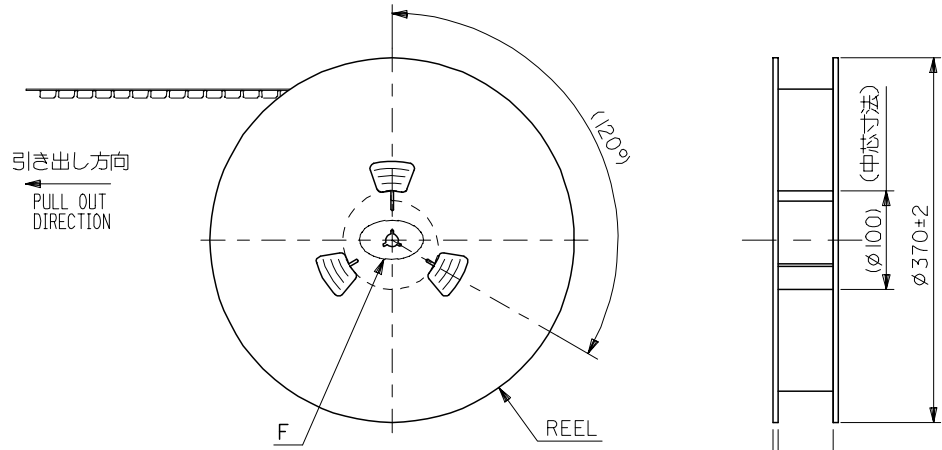
2. テールのバラツキ寸法
 TAIL COPLANARITY
 テール平坦度は、0.1ミリ以下とする。
 TAILS COPLANARITY TO BE 0.1 MILLIMETER MAX.

3. 本製品は53627-***2の鉛フリー品である。
 THIS PRODUCT IS LEAD FREE OF 53627-***2.



	53.77	52.67	50.165	57.67	—	53627-1675	53627-1672	160
無し NO	47.42	46.32	43.815	51.32	53627-1474	-1475	-1472	140
	41.07	39.97	37.465	44.97	-1274	-1275	-1272	120
	34.72	33.62	31.115	38.62	-1074	-1075	-1072	100
	31.55	30.45	27.94	35.45	-0974	-0975	-0972	90
有り YES	28.37	27.27	24.765	32.27	-0874	-0875	-0872	80
	25.2	24.1	21.59	29.1	-0774	-0775	-0772	70
	22.02	20.92	18.415	25.92	-0674	-0675	-0672	60
	18.85	17.75	15.24	22.75	-0574	-0575	-0572	50
	15.67	14.57	12.065	19.57	-0474	-0475	-0472	40
	12.5	11.4	8.89	16.4	-0374	-0375	-0372	30
	9.32	8.22	5.715	13.22	53627-0274	53627-0275	53627-0272	20
					53627-0274	53627-0275	53627-0272	20
ハウジングロック HS'G LOCK	D	C	B	A	エンボス梱包 EMBOSSED PACKAGE	スティック梱包 STICK PACKAGE	製品番号 MATERIAL NO.	極数 CIRCUITS

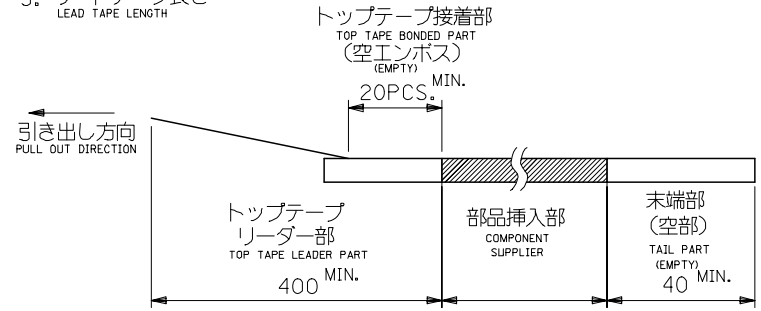
REVISED EC NO: J2007-1858 DRW: HVAJIMA 2006/12/27 CHK: KIKASAHARA 2006/12/28 APPR: NUKITA 2007/01/09	GENERAL TOLERANCES (UNLESS SPECIFIED)		DIMENSION STYLE MM ONLY		SCALE ---	DESIGN UNITS METRIC	THIRD ANGLE PROJECTION
	10 UNDER	±0.2	DRAWN BY Y. SAKIYAMA		TITLE 0.635 PITCH B/B CONN. PLUG HSG COVER ASSY -LEAD FREE-		
	10 OVER 30 UNDER	±0.25	DATE 2004/03/05		MOLEX INCORPORATED		
	30 OVER	±0.3	CHECKED BY M. SASAO				
	ANGULAR	±3 °	DATE 2004/03/05		DOCUMENT NO. SD-53627-001		
DRAFT WHERE APPLICABLE MUST REMAIN WITHIN DIMENSIONS		MATERIAL NO. SEE CHART		SHEET NO. 1 OF 1			



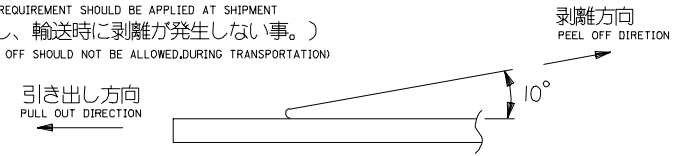
DETAIL F

NOTES

- 製品番号 53627-***72 の詳細寸法については SD-53627-001 を参照下さい。
IN THE PACKAGE PART NO. 53627-***72 DETAILED DIMENSIONS, SEE SD-53627-001.
- 梱包数量 : 700個/リール
NUMBER OF CONNECTORS : 700 PCS/REEL
- リードテープ長さ
LEAD TAPE LENGTH



- トップテープの剥離強度 (剥離方向は下図参照)
PEELING OFF FORCE OF TOP TAPE (PEELING DIRECTION AS SHOWN IN FOLLOWING FIG.)
0.1 ~ 1.3N {10 ~ 130gf}
尚、本規格値は、出荷時に適用。
THIS REQUIREMENT SHOULD BE APPLIED AT SHIPMENT
(但し、輸送時に剥離が発生しない事。)
(PEEL OFF SHOULD NOT BE ALLOWED DURING TRANSPORTATION)



- 材料
MATERIAL
キャリアテープ : ポリプロピレン (PP)
CARRIER TAPE : POLYPROPYLENE (PP)
トップテープ : PET, PE, PEF
TOP TAPE : PET, PE, PEF
リール : 紙
REEL : CARD BOARD

- 本製品は53627-***4の鉛フリー品である。
THIS PRODUCT IS LEAD FREE OF 53627-***4.

REVISED EC NO: J2007-1627 DRW: HVAJIMA 2006/12/06 CHK: KKASAHARA 2006/12/06 APP: NUKITA 2006/12/06	GENERAL TOLERANCES (UNLESS SPECIFIED)		DIMENSION STYLE MM ONLY		SCALE ---	DESIGN UNITS METRIC	THIRD ANGLE PROJECTION	
	10 UNDER	±0.2	DRAWN BY Y. SAKIYAMA	DATE 2004/03/05	TITLE EMBSTP PKG FOR 0.635 B/B PLUG HSG ASSY (H=10) -LEAD FREE-			
	10 OVER 30 UNDER	±0.25	CHECKED BY M. SASAO	DATE 2004/03/05	MOLEX INCORPORATED			
	30 OVER	±0.3	APPROVED BY M. SASAO	DATE 2004/03/05	DOCUMENT NO. SD-53627-002		SHEET NO. 1 OF 3	
	ANGULAR	±3 °	MATERIAL NO. SEE CHART					
A	DRAFT WHERE APPLICABLE MUST REMAIN WITHIN DIMENSIONS		SIZE A3		THIS DRAWING CONTAINS INFORMATION THAT IS PROPRIETARY TO MOLEX INCORPORATED AND SHOULD NOT BE USED WITHOUT WRITTEN PERMISSION			

10 9 8 7 6 5 4 3 2 1

F

E

D

C

B

A

F

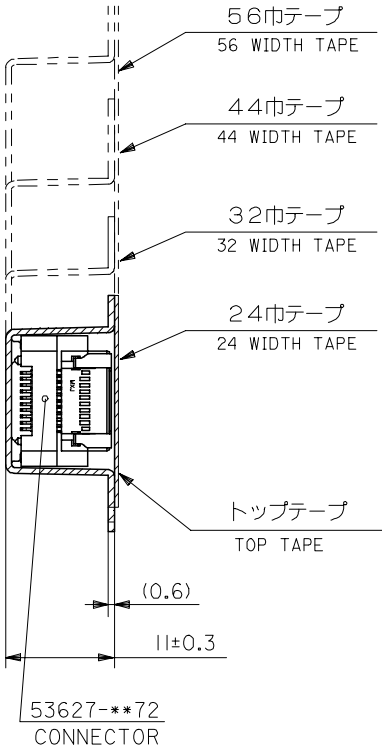
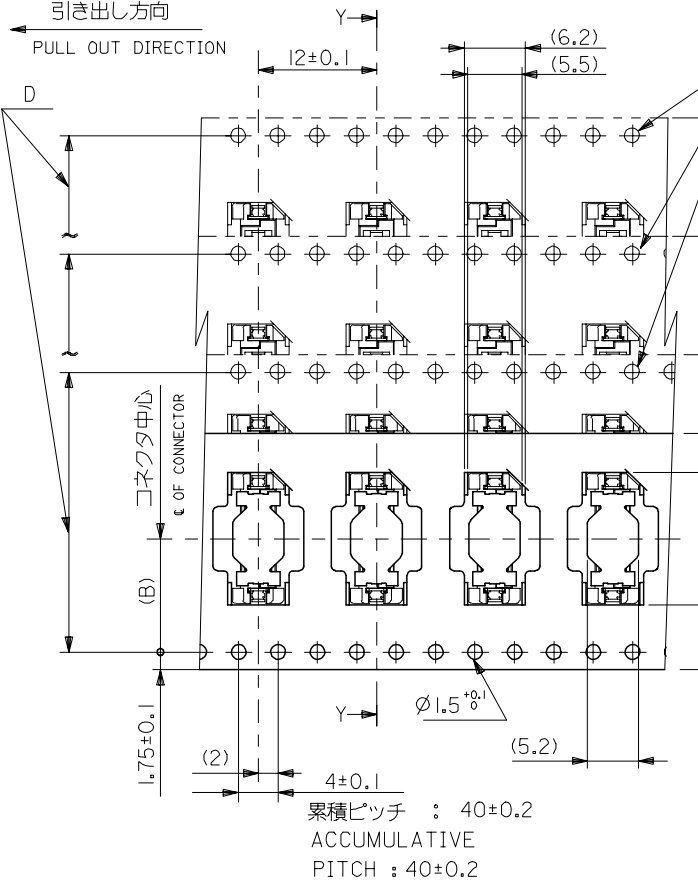
E

D

C

B

A



断面 Y-Y
SECTION Y-Y

56.4	52.4	56	26.2	38.9	53627-1074	100
				35.8	-0974	90
44.4	40.4	44	20.2	32.6	-0874	80
				29.4	-0774	70
				26.2	-0674	60
				23.1	-0574	50
32.4	28.4	32	14.2	19.9	-0474	40
				16.7	-0374	30
24.4	#	24	11.5	13.5	53627-0274	20
E	D	C	キャリアテープ幅 CARRIER TAPE WIDTH	(B)	(A)	MATERIAL NO.
53627-**-74		MODEL NO.				

REVISED EC NO: J2007-1627 DRW: HVAJIMA 2006/12/06 CHK: KASAHARA 2006/12/06 APP: NUKITA 2006/12/06	GENERAL TOLERANCES (UNLESS SPECIFIED)		DIMENSION STYLE MM ONLY	SCALE ---	DESIGN UNITS METRIC	THIRD ANGLE PROJECTION
	10 UNDER	±0.2	DRAWN BY Y.SAKIYAMA	DATE 2004/03/05	TITLE EMBSTP PKG FOR 0.635 B/B PLUG HSG ASSY (H=10) -LEAD FREE-	
	10 OVER 30 UNDER	±0.25	CHECKED BY M.SASAO	DATE 2004/03/05	MOLEX INCORPORATED	
	30 OVER	±0.3	APPROVED BY M.SASAO	DATE 2004/03/05	DOCUMENT NO. SD-53627-002	SHEET NO. 2 OF 3
	ANGULAR	±3 °	MATERIAL NO.	SEE CHART		
DRAFT WHERE APPLICABLE MUST REMAIN WITHIN DIMENSIONS		SIZE A3	THIS DRAWING CONTAINS INFORMATION THAT IS PROPRIETARY TO MOLEX INCORPORATED AND SHOULD NOT BE USED WITHOUT WRITTEN PERMISSION			

10 9 8 7 6 5 4 3 2 1

F

E

D

C

B

A

F

E

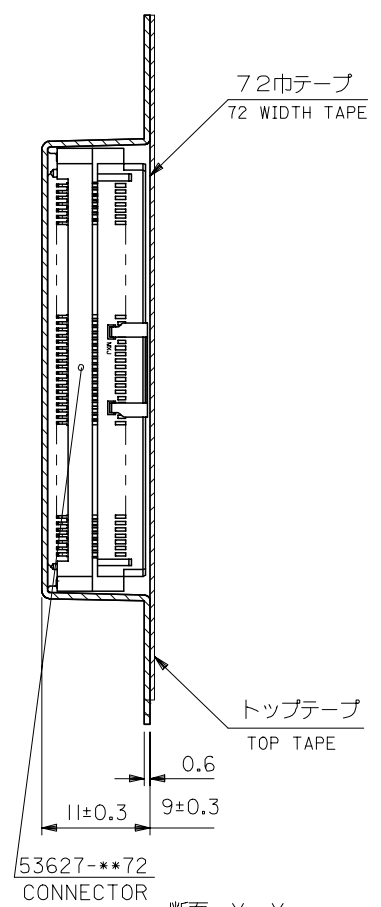
D

C

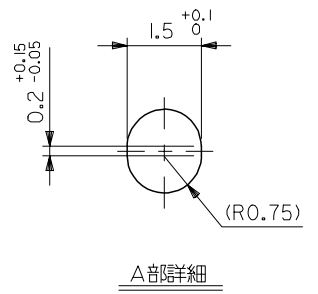
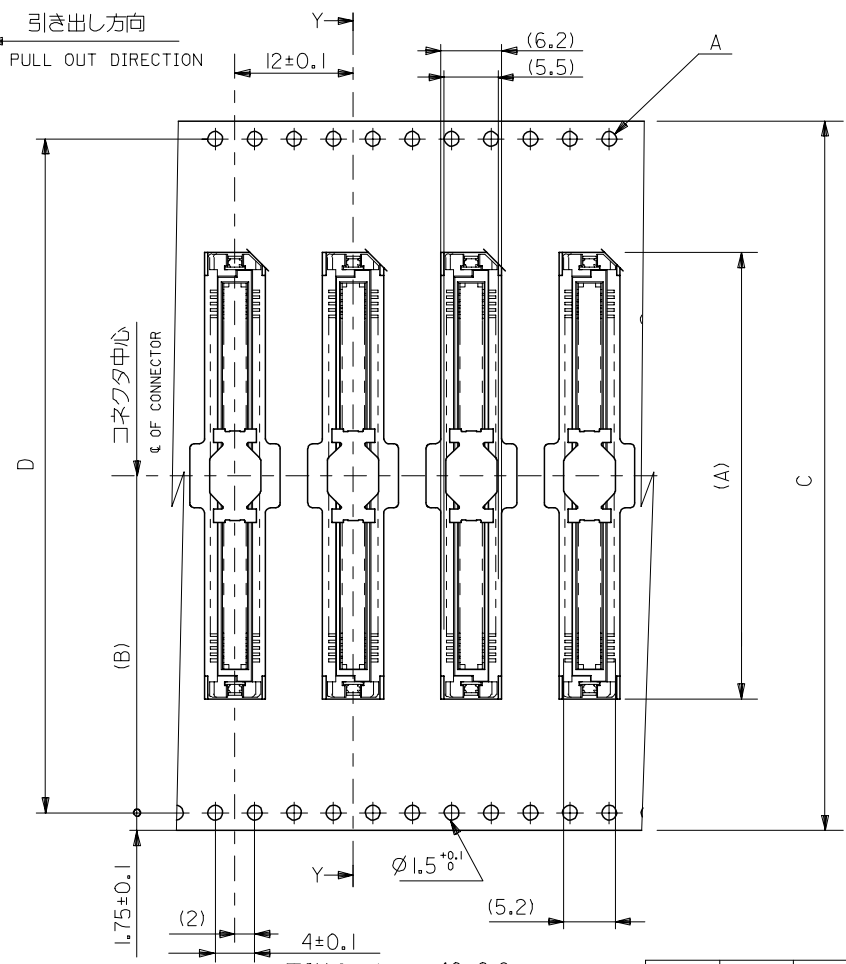
B

A

引き出し方向
PULL OUT DIRECTION



断面 Y-Y
SECTION Y-Y



A部詳細

累積ピッチ : 40±0.2
ACCUMULATIVE
PITCH : 40±0.2

72.4	68.4	72	34.2	51.6	53627-1474	140
E	D	C	(B)	45.3	53627-1274	120
53627-***74			MODEL NO.			
DIMENSION STYLE		SCALE	DESIGN UNITS	THIRD ANGLE PROJECTION		
MM ONLY		---	METRIC			
DRAWN BY		DATE	TITLE			
Y.SAKIYAMA		2004/03/05	EMBSTP PKG FOR 0.635 B/B PLUG HSG ASSY (H=10) -LEAD FREE-			
CHECKED BY		DATE	MOLEX INCORPORATED			
M.SASAO		2004/03/05				
APPROVED BY		DATE	DOCUMENT NO.		SHEET NO.	
M.SASAO		2004/03/05	SD-53627-002		3 OF 3	
MATERIAL NO.		SEE CHART				
THIS DRAWING CONTAINS INFORMATION THAT IS PROPRIETARY TO MOLEX INCORPORATED AND SHOULD NOT BE USED WITHOUT WRITTEN PERMISSION						

REVISED EC NO: J2007-1627 DRW: HVAJIMA 2006/12/06 CHK: KASAHARA 2006/12/06 APPR: NUKITA 2006/12/06	GENERAL TOLERANCES (UNLESS SPECIFIED)	
	10 UNDER	±0.2
	10 OVER 30 UNDER	±0.25
	30 OVER	±0.3
	ANGULAR	±3 °
DRAFT WHERE APPLICABLE MUST REMAIN WITHIN DIMENSIONS		
A	REV	

9

8

7

6

5

4

3

2