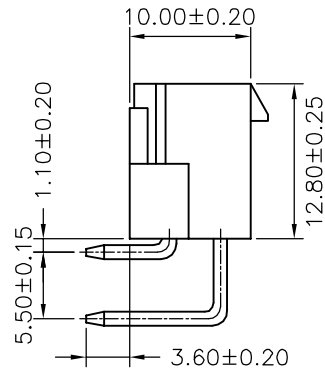
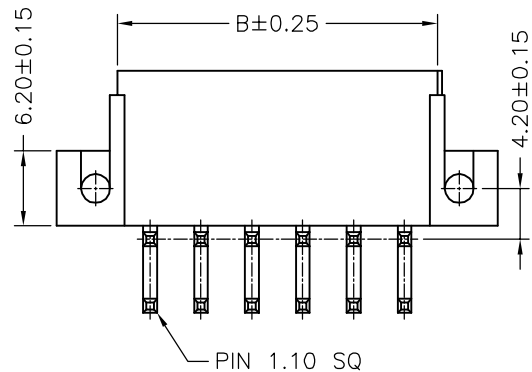
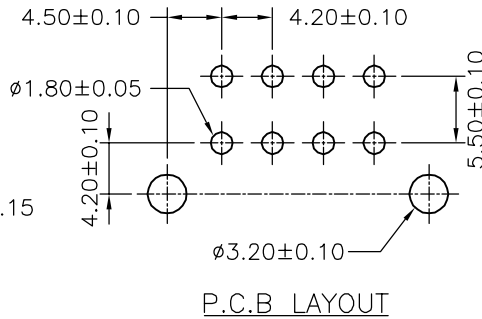
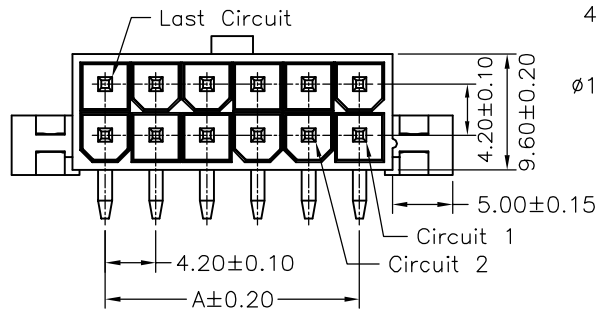


### SPECIFICATIONS

Current Rating: 9A AC,DC  
 Voltage Rating: 600V AC,DC  
 Temperature Range: -25°C ~ +85°C  
 Contact Resistance: 10mΩ Max  
 Insulation Resistance: 1000MΩ Min  
 Withstanding Voltage: 1500V AC/minute  
 Pin Material: Brass/Tin-plated  
 Material: Nylon 66,UL94V-2  
 Color: Natural(Translucent)



### Ordering Information & Dimensions

PART NO.	Dimensions	
	A	B
C4255WR-E-2X01P	---	5.40
C4255WR-E-2X02P	4.20	9.60
C4255WR-E-2X03P	8.40	13.80
C4255WR-E-2X04P	12.60	18.00
C4255WR-E-2X05P	16.80	22.20
C4255WR-E-2X06P	21.00	26.40
C4255WR-E-2X07P	25.20	30.60
C4255WR-E-2X08P	29.40	34.80
C4255WR-E-2X09P	33.60	39.00
C4255WR-E-2X10P	37.80	43.20
C4255WR-E-2X11P	42.00	47.40
C4255WR-E-2X12P	46.20	51.60

			JOINT TECH ELECTRONIC IND. CO., LTD. JOY DAY INDUSTRIAL CO., LTD.			
			UNIT	SCALE	SHEET	TITLE:  4.20mm PITCH 90° WAFER WITH EAR, MINI-FIT
			mm		1 of 1	
			DRAWN BY	APPROVED BY		
			董正一	董正一		
			2001.02.01	2001.02.01		
			GENERAL TOLERANCE			
			X.X±0.25	ANGLE±		
			X.XX±0.15			
			X.XXX±0.05			
BO	NEW RELEASE	2006.06.07				DRAW NO.:
REV.	DESCRIPTION	DATE				C4255WR-E-2XNP
						REV. BO