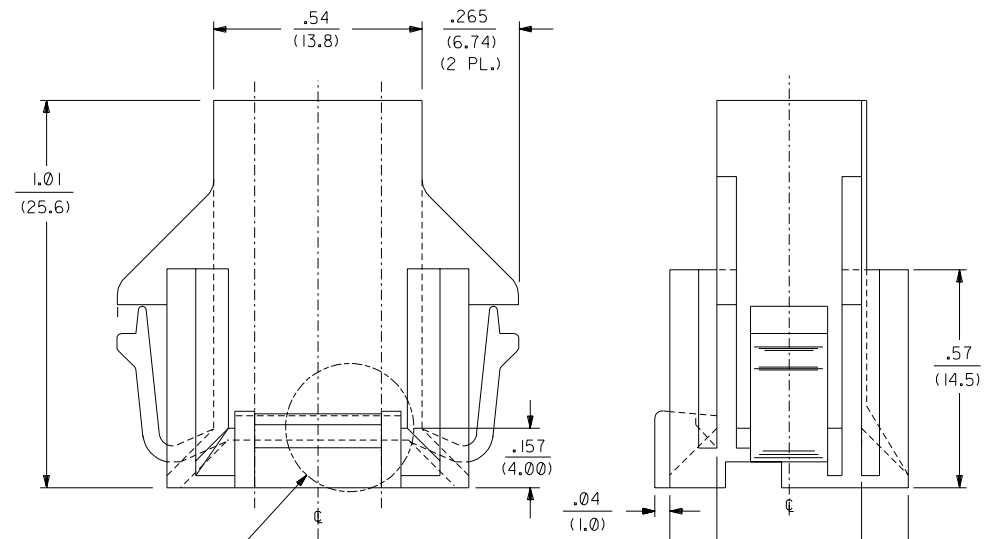
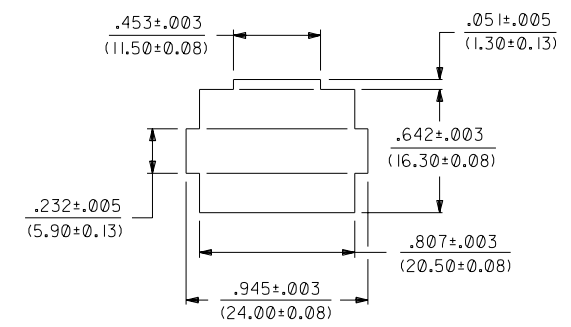


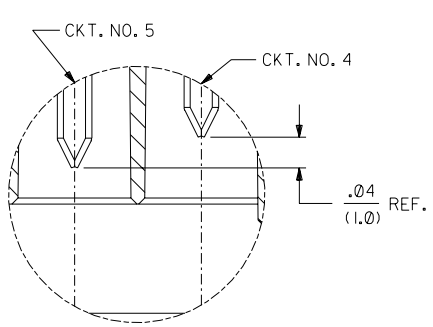
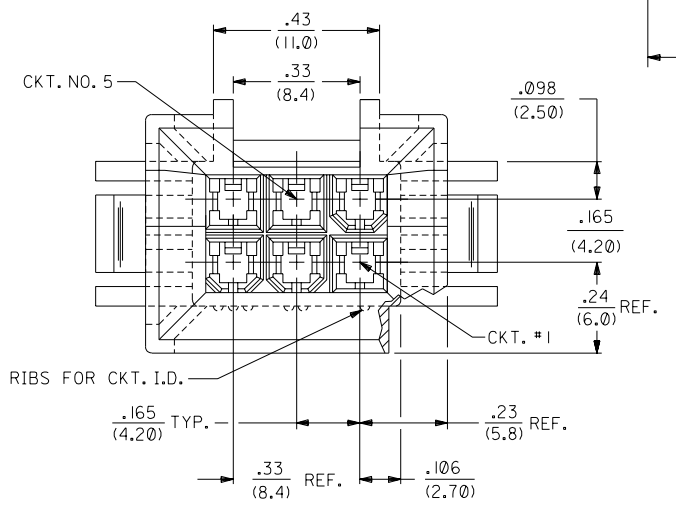
ITEM NUMBER	CIRCUIT SIZE	MATERIAL (SEE NOTE 1)
43558-0611	6	94V-2
43558-0621	6	94V-0



**LEGEND**  
 43558-06 \* 1  
 CIRCUIT SIZE  
 MATERIAL (SEE NOTE 1)



**RECOMMENDED CUT-OUT FOR .063/(1.60)  
 MAX. THICK P.C. BOARD. (6-24 CKT'S.)  
 SEE NOTE 10  
 SCALE: 2X**



VIEW "A"  
 SHOWN AFTER TERMINAL INSTALLATION BY CUSTOMER

**NOTES:**

- 1) MATERIAL:  
 1 = NYLON 6/6, 94V-2 COLOR: NATURAL  
 2 = NYLON 6/6, 94V-0 COLOR: NATURAL
- 2) THIS PART MATES WITH MOLEX RECEPTACLES 5557, 42385 AND 42474.
- 3) PART IS DESIGNED IN METRIC.
- 4) PART ALLOWS FOR UP TO .100/(2.54) MISALIGNMENT WITH MATING RECEPTACLE IN ANY DIRECTION. SEE MATING CONNECTOR DRAWINGS FOR SPECIFIC ALLOWANCES.
- 5) PART IS FOR USE WITH MALE TERMINAL #5558.
- 6) THIS PART CONFORMS TO MOLEX PRODUCT SPEC. NO. PS-5556-002.
- 7) CONNECTOR ASSEMBLIES ARE NOT TO BE MATED OR UNMATED WHILE CIRCUITS ARE LIVE.
- 8) ITEM NUMBERS PRECEDED BY AN \*X\* IN THE CHART ARE NOT AVAILABLE.
- 9) THIS PART IS DESIGNED TO PROVIDE MAKE-FIRST/BREAK-LAST FUNCTION AT CIRCUIT NUMBER 5.
- 10) PANEL CUT-OUT TO BE PUNCHED IN THE SAME DIRECTION AS CONNECTOR INSERTION.

REV.	DESCRIPTION
C	REVISED NOTE 6 ECN UCP2004-2174 CSTEWART,04-04-30
BI	REVISED UCR2001-0816 JIWANG 01-03-14
B	REV. MTG. EARS ECN U61334 GEP 4-29-96
AI	ADDED .23 & .24 ECN U61031 GEP 2-26-96
A	REMOVED *X* ECN U60517 GEP 10-26-95
I	X-RELEASE PER ECN U51077 GEP 4-27-95

DIMENSIONS SHOWN (METRIC) INCH UNLESS OTHERWISE SPECIFIED TOLERANCES: ANGULAR ± 0.08 50		▽ = 0		REVISION ONLY ON CAD SYSTEM	
INCH METRIC		TITLE 6 CIRCUIT PLUG HOUSING, MAKE-FIRST/BREAK-LAST, MINI-FIT B.M.I. SERIES			
3 PLACE ± .010	---	MOLEX INCORPORATED		SHEET NO.	DATE
2 PLACE ± .015 ± 0.25	---	LITSE, ILL. 60532		1 OF 1	4/27/95
1 PLACE --- ± 0.38	---	PART NO.		DRWG. NO.	
DRAFT WHERE APPLICABLE MUST REMAIN WITHIN DIMENSIONS		SEE CHART		SD-43558-06*1	
DRWG. BY GEP	CHK'D. BY RJF	FILE NAME	THIS DRAWING CONTAINS INFORMATION THAT IS PROPRIETARY TO MOLEX INC. AND SHOULD NOT BE USED WITHOUT WRITTEN PERMISSION.		
APP'D. BY RJF	SCALE 4:1	S43558X1	CP	C	