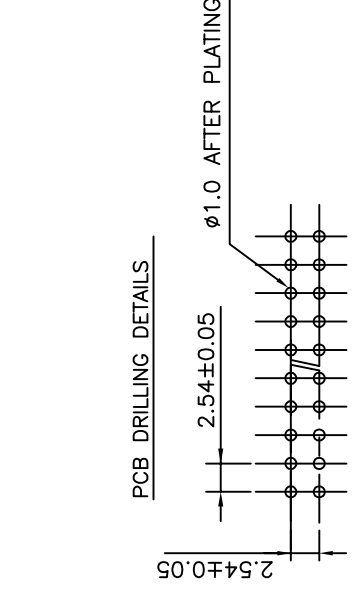


D	17.91	22.99	25.53	30.61	38.23	43.31	48.39	56.01	68.71	81.41	86.49
C	-	-	-	-	17.78	17.78	17.78	25.40	17.78	25.40	25.40
B	10.16	15.24	17.78	22.86	30.48	35.56	40.64	48.26	60.96	73.66	78.74
+0.25 A-0	19.71	24.79	27.33	32.41	40.03	45.11	50.19	57.81	70.51	83.21	88.29
NO.OF POSITION	10	14	16	20	26	30	34	40	50	60	64

DIMNS

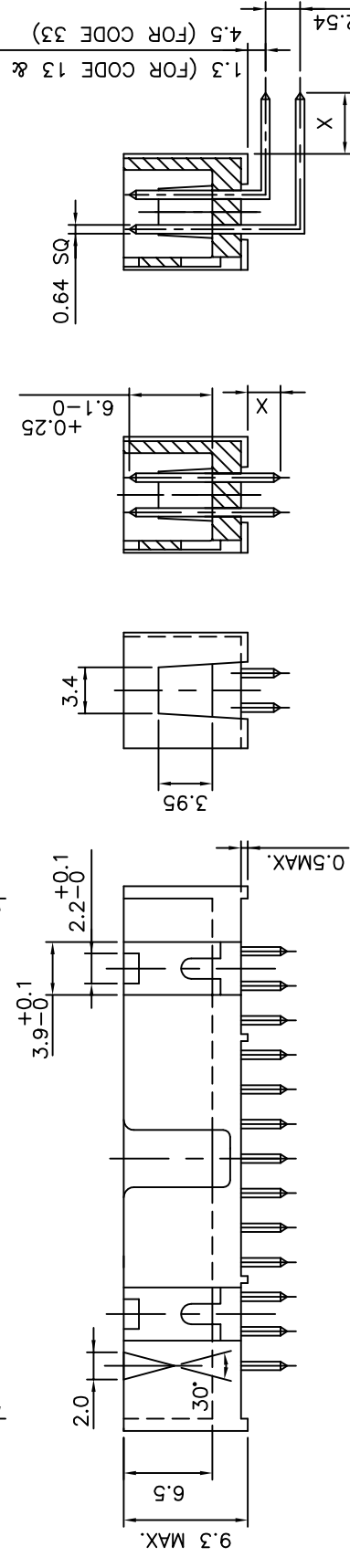


13 X = 4.20±0.35
23 X = 2.80±0.2
33 X = 6.0±0.2

14 X = 4.35±0.35
24 X = 2.90±0.2

ANGLED SPILL [13,23&33]
STRAIGHT SPILL [14&24]

NOTE-1
NOTE-2
SEE DETAIL-A



TECHNICAL SPECIFICATION

HOUSING MATERIAL — THERMOPLASTIC POLYESTER UL 94 V0; GREY
HOUSING CAN WITHSTAND EXPOSURE TO LEADFREE WAVE SOLDERING TEMPERATURE OF 260-265°C FOR STRAIGHT CONNECTORS AS IT IS IN CLASSICAL LEAD WAVE SOLDERING AT 235-250° C. FOR ANGLE CONNECTORS PROTECTIVE ADHESIVE OR METALLIC DEVICE TO BE USED AS IN CLASSICAL LEAD WAVE SOLDERING AT 235-250°C.

CONTACT MATERIAL — COPPER ALLOY
PLATING — ACTIVE ZONE — GOLD OR EQUIVALENT GOLD OVER PALLADIUM NICKEL OVER NICKEL
TERMINATION ZONE — SnPb OVER Ni FOR TIN LEAD VERSION.
— Sn (MATTE TIN) OVER Ni FOR LEAD FREE VERSION.

CURRENT RATING — 1.5A AT 20°C
INSULATION RESISTANCE — >5000MΩ AT 100V
CONTACT RESISTANCE — ≤20mΩ
DIELECTRIC WITHSTANDING VOLTAGE — 1000 Vrms
OPERATING TEMPERATURE — -55°C TO +125°C
REFERENCE SPECIFICATION — IEC 603-13 / DIN 41651

NOTES
1. LEFT POLARISATION IS NOT PROVIDED FOR 10 & 14 POSITIONS.
2. RIGHT POLARISATION IS NOT PROVIDED FOR 10 POSITION.
3. INTERMEDIATE LEGS ARE PRESENT ONLY ABOVE 20 POSITION.

ORDERING INFORMATION

8613

SERIES

NO.OF CONTACTS :-
10,14,16,20,26,30,34
40,50,60,64

LOW PROFILE BOX HEADER

TYPE OF TERMINATION
13 - LONG ANGLED SPILL
14 - LONG STRAIGHT SPILL
23 - SHORT ANGLED SPILL
24 - SHORT STRAIGHT SPILL
33 - SPL. LONG ANGLED SPILL

SPECIAL CODES
000E1: TIN LEAD VERSION
E1LF: LEAD FREE VERSION

LONGITUDINAL PITCH
5 - 2.54 mm
8 - 5.08 mm

PERFORMANCE CLASS
4 - DIN 41651 CLASS 3
5 - DIN 41651 CLASS 2
6 - DIN 41651 CLASS 1
8 - AS PER JSS 50810

INSULATOR MATERIAL
3 - PBT GREY

NOTES:-
1. THE "LF" PRODUCTS MEET EUROPEAN UNION DIRECTIVES AND OTHER COUNTRY REGULATIONS AS DESCRIBED IN GS-22-008
2. THE HOUSING WILL WITHSTAND EXPOSURE TO 260°C PEAK TEMPERATURE FOR 3.5 SECONDS IN A WAVE SOLDER APPLICATION WITH A 1.6 MM MINIMUM THICK CIRCUIT BOARD
3. LEAD FREE OR ROHS DIRECTIVE LABELING TO BE PROVIDED AS PER GS-14-920 FOR ROHS COMPATIBLE VERSION.

mat'l. code	surface	tolerance	projection	product family	8613
ISO 1302	ISO 406	ISO 1101		title	LOW PROFILE BOX HEADER
tolerances unless otherwise specified	angles	linear	mm	scale	—
.0±.1	0°±1°			dwg no	sheet 1 of 1 size A3
MINI 13/09/2001	MINI.K.VANDANATH	13/09/2001		type	Product Customer Drawing
105-0123	engr RAKHEE GEORGE	13/09/2001			
106-0066	chr RAKHEE GEORGE	01/06/2006			
109-0242	GT	28/10/2009			
111-0193	GT	2011-12-20			
	appd RAKHEE GEORGE	01/06/2006			
sheet index	revision	sheet	1		