

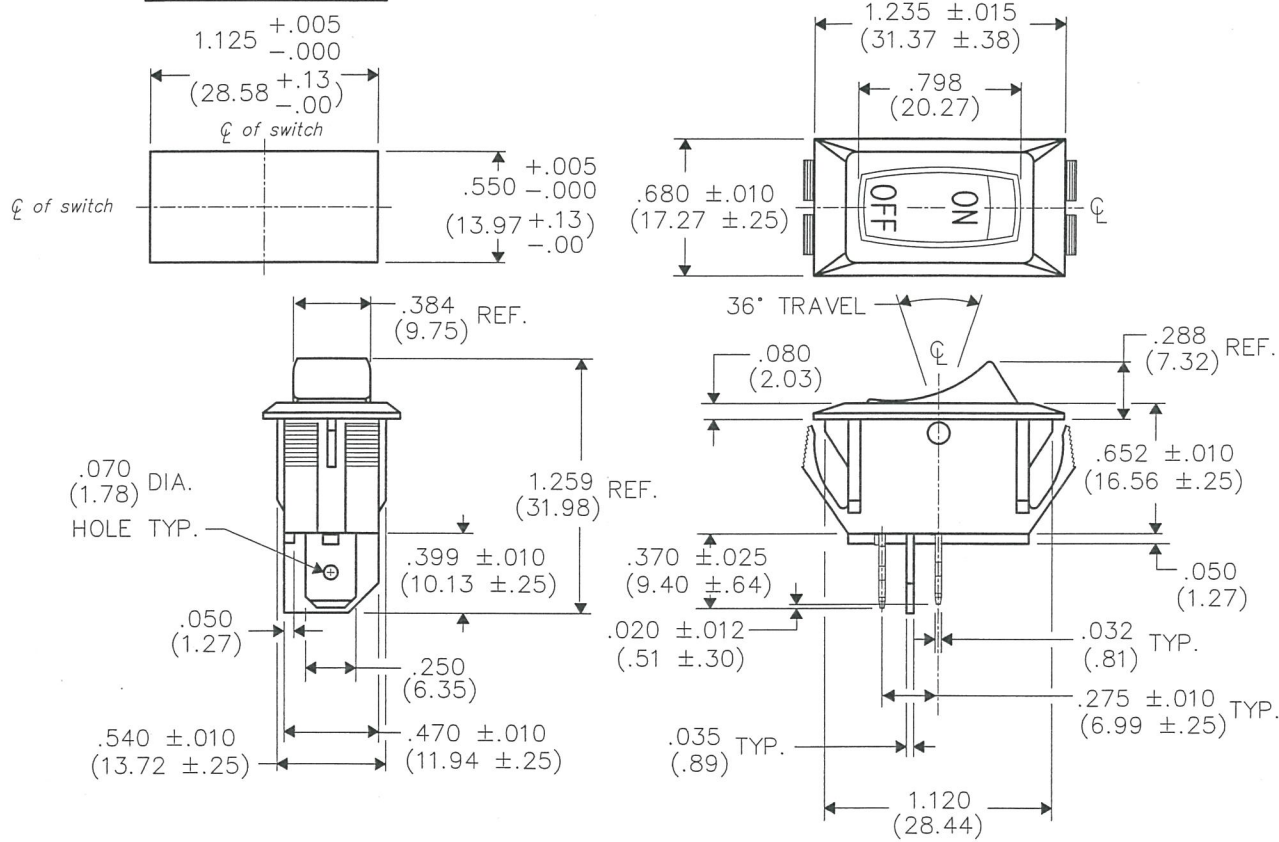
THIS INFORMATION IS CONFIDENTIAL AND PROPRIETARY TO CW INDUSTRIES INCORPORATED AND ITS AFFILIATES. IT MAY NOT BE DISCLOSED TO ANYONE OTHER THAN CW INDUSTRIES PERSONNEL, WITHOUT WRITTEN AUTHORIZATION FROM CW INDUSTRIES INCORPORATED, SOUTHAMPTON, PENNSYLVANIA USA.

DIMENSIONS IN INCHES (MILLIMETERS)
DO NOT SCALE DRAWING

Dwg. No.

GRS-2011-2021

PANEL PIERCING



B-FORMAT, 2002	REVISIONS
	0 RELEASED DGW 12-17-2012 Mar. 22, 2011
	1 REDRAWN, REMOVED 1 BARRIER FROM HOUSING & DIMENSION .310 \pm .010. DGW 12-17-2012 DEC 17 2012 <i>CP 12/17/12</i>

PDF MADE	CW INDUSTRIES Southampton, Pa. 18966	Title: ROCKER SWITCH ASSEMBLY S.P.S.T.	
	TOLERANCES UNLESS OTHERWISE SPECIFIED	NON-POLARIZED W/BARRIER	
	2 Place Decimal $\pm .010$ 3 Place Decimal $\pm .005$ Angles $\pm 1^\circ$	METRIC 1 Place Dec. $\pm .25$ mm 2 Place Dec. $\pm .13$ mm	1.125" x .550" PANEL
	Made for: CW IND.	Division: SWITCH	
	Drawn by: DGW 12-17-2012	Dwg. No. GRS-2011-2021	
Checked by: <i>B. Gold 12-17-12</i>	Approval: <i>C. Huma 12/17/12</i>		

MASTER