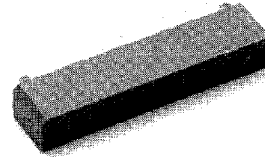


## 2.0 MM (.079) FLEXSTRIP® SINGLE ROW SOCKETS 4-21 POSITIONS



### PHYSICAL PROPERTIES

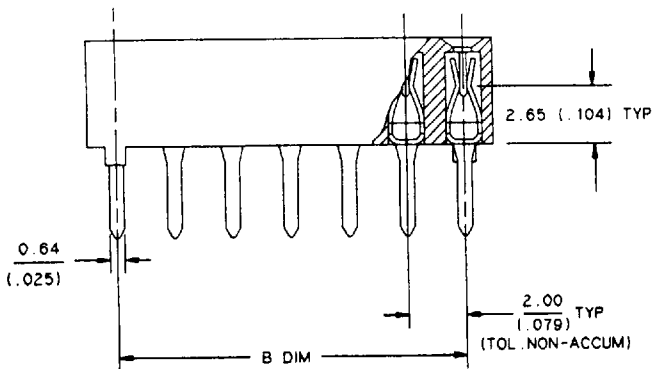
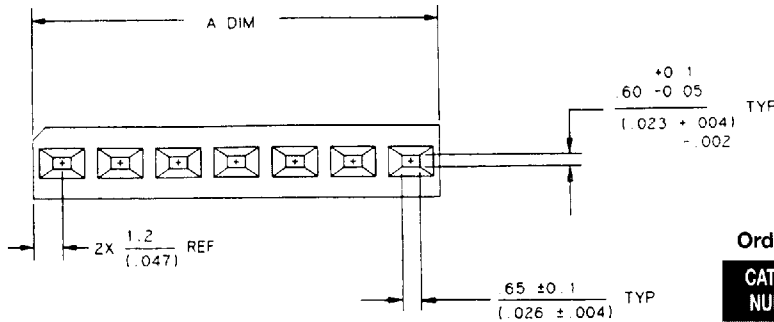
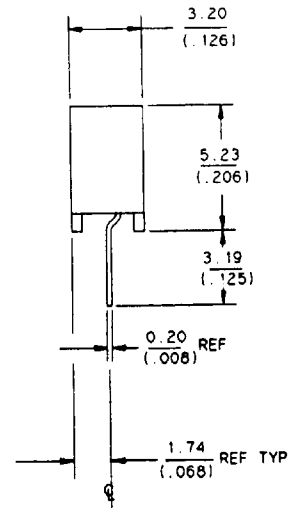
INSULATION MATERIAL: Glass reinforced thermoplastic, rated UL 94V-0  
 COLOR: blue  
 OXYGEN INDEX: 32  
 CONTACT MATERIAL: Copper alloy, tin plating over nickel

### ELECTRICAL PROPERTIES

CURRENT RATING: 1 Amp/Pin  
 INSULATION RESISTANCE:  $>1 \times 10^9$  Ohms  
 DIELECTRIC STRENGTH:  $>650$  VAC

### ENVIRONMENTAL PROPERTIES

TEMPERATURE RATING:  $-40^\circ\text{C}$  to  $100^\circ\text{C}$



Recommended PCB hole diameter:  $.038" \pm .005$

### Ordering Information

CATALOG NUMBER	NO. OF POSITIONS	A	B
742J2-04	4	8.4 (.331)	6.0 (.236)
742J2-05	5	10.4 (.409)	8.0 (.315)
742J2-06	6	12.4 (.488)	10.0 (.394)
742J2-07	7	14.4 (.567)	12.0 (.472)
742J2-08	8	16.4 (.646)	14.0 (.551)
742J2-09	9	18.4 (.724)	16.0 (.630)
742J2-10	10	20.4 (.803)	18.0 (.709)
742J2-11	11	22.4 (.882)	20.0 (.787)
742J2-12	12	24.4 (.961)	22.0 (.866)
742J2-13	13	26.4 (1.039)	24.0 (.945)
742J2-14	14	28.4 (1.118)	26.0 (1.024)
742J2-15	15	30.4 (1.197)	28.0 (1.102)
742J2-16	16	32.4 (1.275)	30.0 (1.181)
742J2-17	17	34.4 (1.354)	32.0 (1.260)
742J2-18	18	36.4 (1.433)	34.0 (1.339)
742J2-19	19	38.4 (1.512)	36.0 (1.417)
742J2-20	20	40.4 (1.591)	38.0 (1.496)
742J2-21	21	42.4 (1.699)	40.0 (1.575)