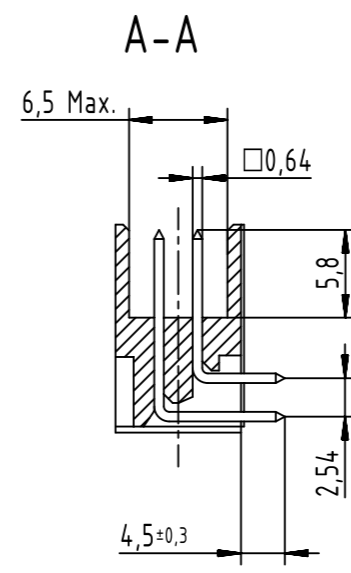
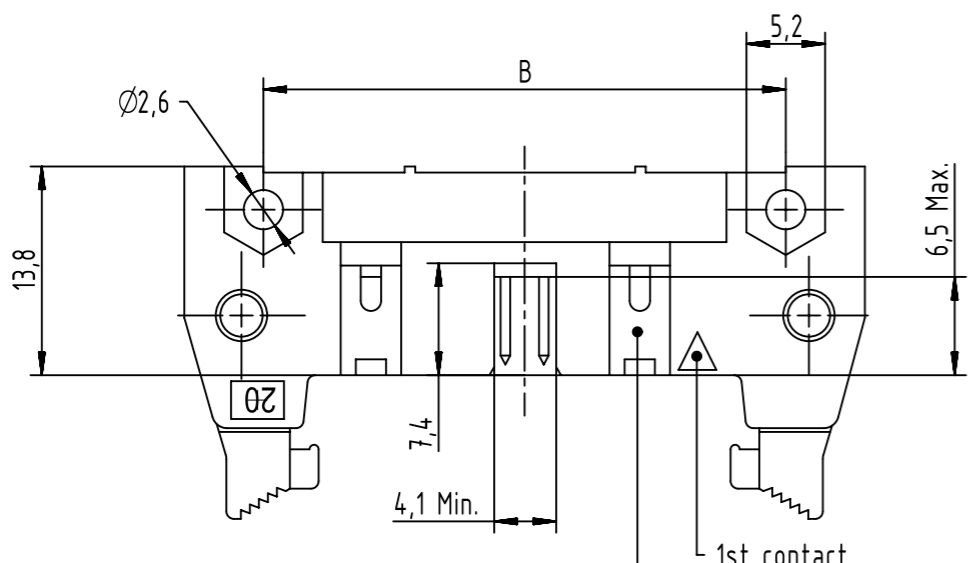
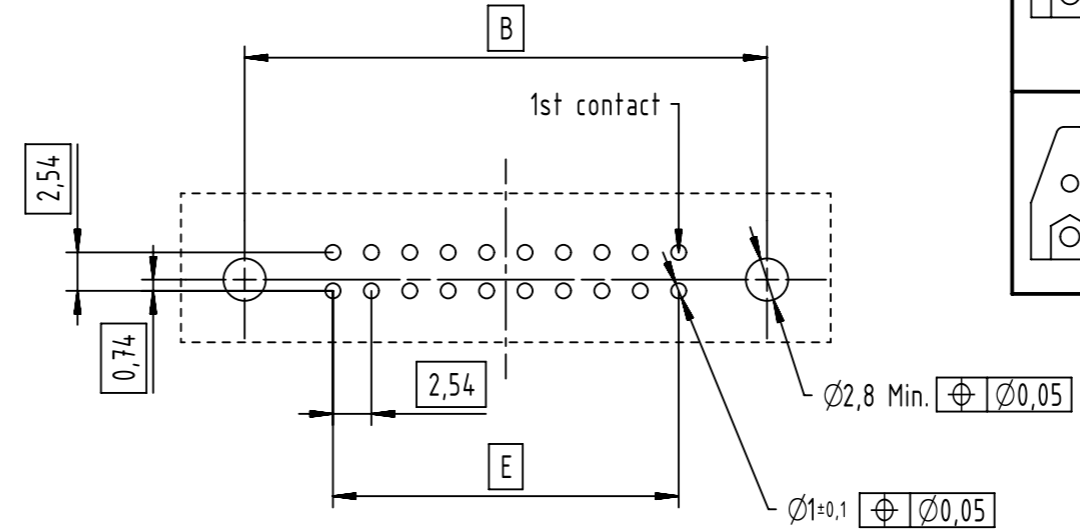
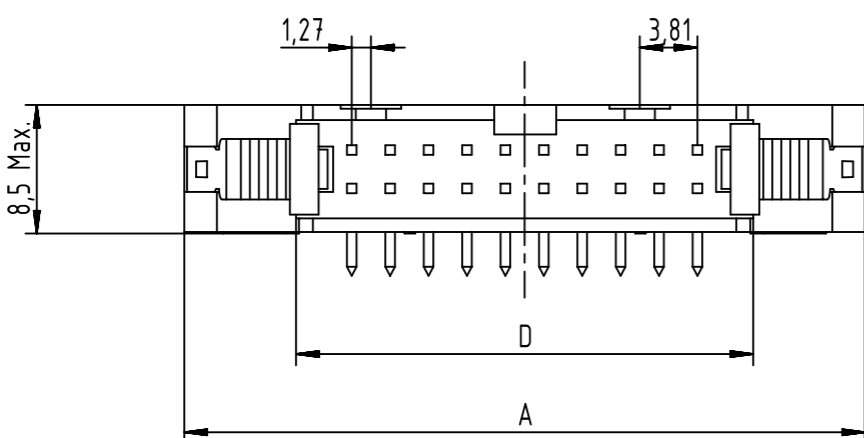


PC-Board layout view component side thickness up to 3,2 mm



Coding style table	
	Style A: For connectors 6 poles
	Style B: For connectors from 10 to 14 poles
	Style C: For connectors from 16 to 64 poles



See tables for coding feature arrangement and style

- Technical information available on a separate document ref: DS 09181200001  
 - Full range of P/N's and dimensions shown on page 2/2

	All Dimensions in mm Original Size DIN A3	Scale 2:1	Free size tol.	Ref.
	All rights reserved Department EC PD - FR	Created by DOUGE	Inspected by BAGDIKIAN	Standardisation HOFFMANN
HARTING Electronics GmbH D-32339 Espelkamp	Title SEK 18 male STD angled with short levers			Doc-Key / ECM-Nr. 100566957/UGD/001/A 50000068837
	Type TB	Number 09185XXX911	Rev. A	Page 1/2

Performance Level				Dimensions					
	PL3	PL2	S4	Insulator Color	A Max	B	D	E	F
Nb of Contacts	Part Number	Part Number	Part Number						
06	0918 506 7911	0918 506 6911	0918 506 5911	Grey	27,2	16,76	12,45	2,54 x 2 = 5,08	36,9
10	0918 510 7911	0918 510 6911	0918 510 5911		32,3	21,84	17,53	2,54 x 4 = 10,16	42,0
14	0918 514 7911	0918 514 6911	0918 514 5911		37,4	26,92	22,61	2,54 x 6 = 15,24	47,1
16	0918 516 7911	0918 516 6911	0918 516 5911		39,9	29,46	25,15	2,54 x 7 = 17,78	49,6
20	0918 520 7911	0918 520 6911	0918 520 5911		45,0	34,54	30,23	2,54 x 9 = 22,86	54,7
24	0918 524 7911	0918 524 6911	0918 524 5911		50,1	39,62	35,91	2,54 x 11 = 27,94	59,8
26	0918 526 7911	0918 526 6911	0918 526 5911		52,6	42,16	37,85	2,54 x 12 = 30,48	62,3
30	0918 530 7911	0918 530 6911	0918 530 5911		58,0	47,24	43,83	2,54 x 14 = 35,56	68,2
34	0918 534 7911	0918 534 6911	0918 534 5911		62,8	52,32	48,01	2,54 x 16 = 40,64	72,5
40	0918 540 7911	0918 540 6911	0918 540 5911		70,4	59,94	55,63	2,54 x 19 = 48,26	80,1
50	0918 550 7911	0918 550 6911	0918 550 5911		83,1	72,64	68,33	2,54 x 24 = 60,96	92,8
60	0918 560 7911	0918 560 6911	0918 560 5911		95,8	85,34	81,03	2,54 x 29 = 73,66	105,5
64	0918 564 7911	0918 564 6911	0918 564 5911		100,9	90,42	86,11	2,54 x 31 = 78,74	110,6
06	0918 506 7911 001	0918 506 6911 001	0918 506 5911 001		Black	27,2	16,76	12,45	2,54 x 2 = 5,08
10	0918 510 7911 001	0918 510 6911 001	0918 510 5911 001	32,3		21,84	17,53	2,54 x 4 = 10,16	42,0
14	0918 514 7911 001	0918 514 6911 001	0918 514 5911 001	37,4		26,92	22,61	2,54 x 6 = 15,24	47,1
16	0918 516 7911 001	0918 516 6911 001	0918 516 5911 001	39,9		29,46	25,15	2,54 x 7 = 17,78	49,6
20	0918 520 7911 001	0918 520 6911 001	0918 520 5911 001	45,0		34,54	30,23	2,54 x 9 = 22,86	54,7
24	0918 524 7911 001	0918 524 6911 001	0918 524 5911 001	50,1		39,62	35,91	2,54 x 11 = 27,94	59,8
26	0918 526 7911 001	0918 526 6911 001	0918 526 5911 001	52,6		42,16	37,85	2,54 x 12 = 30,48	62,3
30	0918 530 7911 001	0918 530 6911 001	0918 530 5911 001	58,0		47,24	43,83	2,54 x 14 = 35,56	68,2
34	0918 534 7911 001	0918 534 6911 001	0918 534 5911 001	62,8		52,32	48,01	2,54 x 16 = 40,64	72,5
40	0918 540 7911 001	0918 540 6911 001	0918 540 5911 001	70,4		59,94	55,63	2,54 x 19 = 48,26	80,1
50	0918 550 7911 001	0918 550 6911 001	0918 550 5911 001	83,1		72,64	68,33	2,54 x 24 = 60,96	92,8
60	0918 560 7911 001	0918 560 6911 001	0918 560 5911 001	95,8		85,34	81,03	2,54 x 29 = 73,66	105,5
64	0918 564 7911 001	0918 564 6911 001	0918 564 5911 001	100,9		90,42	86,11	2,54 x 31 = 78,74	110,6

	All rights reserved	Created by	Inspected by	Standardisation	Date	State	
	Department EC PD - FR	DOUGE	BAGDIKIAN	HOFFMANN	2014-05-16	Final Release	
HARTING Electronics GmbH D-32339 Espelkamp		Title SEK 18 male STD angled with short levers				Doc-Key / ECM-Nr. 100566957/UGD/001/A 50000068837	
		Type	Number		Rev.	Page	
		TB	09185XXX911		A	2/2	