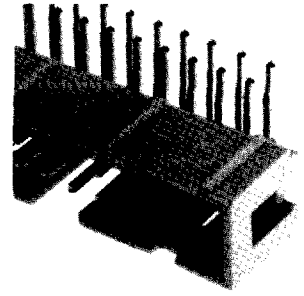
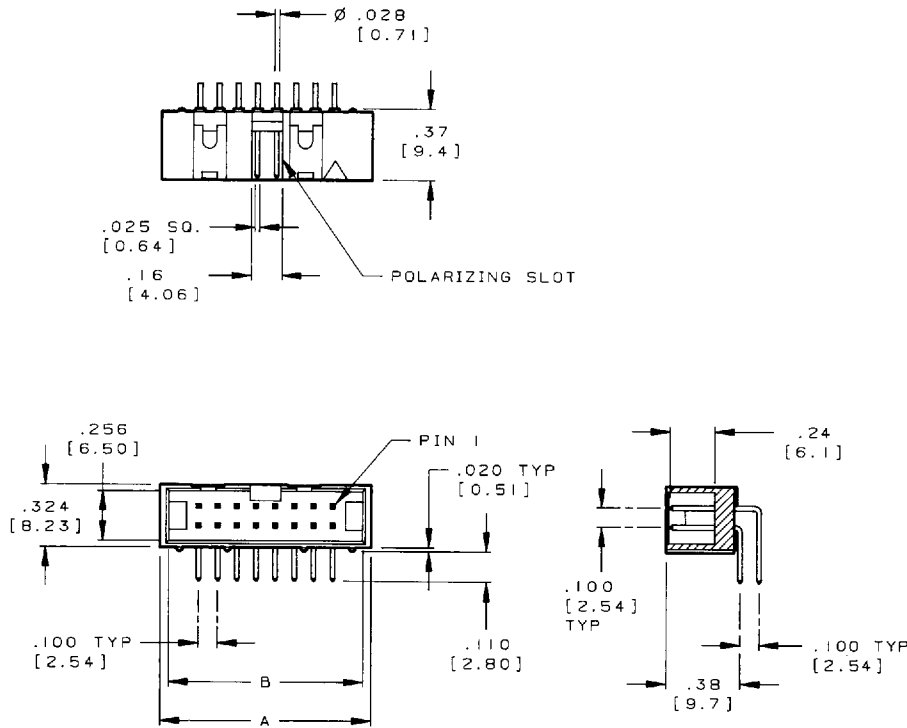


CA



**LOW PROFILE
RIGHT ANGLE
BOX HEADER**

Features

- Fully enclosed right angle construction for P.C.B. mounting
- Low profile header helps to minimize packaging density
- Optional polarizing keys assure correct orientation of mating socket

Specifications

Environmental

Temperature Range:
-55°C to +120°C

Mechanical

- Insulator Material:
Glass filled polyester, gray, UL94V-0
- Contact Material:
Phosphor Bronze
- Contact Plating:
Standard
Contact Area: 15μ IN gold
Tail Area: 150μ IN tin/lead
Optional
Contact Area: 30μ IN gold
Tail Area: 150μ IN tin/lead

Electrical

- Current Rating:
1 AMP
- Dielectric Withstanding Voltage:
500 Vrms
- Insulation Resistance:
> 1000 Megohms

Mating CA Product:

IDS2, FID and IDS

No. of Positions	Dimensions		Part Numbers	
	A	B	15μ IN sel gold	30μ IN sel gold
* 10	.80 [20.3]	.71 [18.0]	CA-10HLR-1C	CA-10HLR-1F
10	.80 [20.3]	.71 [18.0]	CA-10HLR-1C-SPT	CA-10HLR-1F-SPT
14	1.00 [25.4]	.91 [23.1]	CA-14HLR-1C	CA-14HLR-1F
16	1.10 [27.9]	1.01 [25.6]	CA-16HLR-1C	CA-16HLR-1F
20	1.30 [33.0]	1.21 [30.7]	CA-20HLR-1C	CA-20HLR-1F
26	1.60 [40.6]	1.51 [38.4]	CA-26HLR-1C	CA-26HLR-1F
34	2.00 [50.8]	1.91 [48.5]	CA-34HLR-1C	CA-34HLR-1F
40	2.30 [58.4]	2.21 [56.1]	CA-40HLR-1C	CA-40HLR-1F
50	2.80 [71.1]	2.71 [68.8]	CA-50HLR-1C	CA-50HLR-1F
60	3.30 [83.8]	3.21 [81.5]	CA-60HLR-1C	CA-60HLR-1F

* No Polarizing Slot



**POLARIZING KEY
CA-HK**



E95981



LR65050