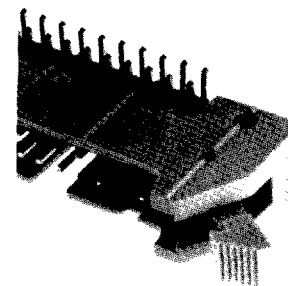
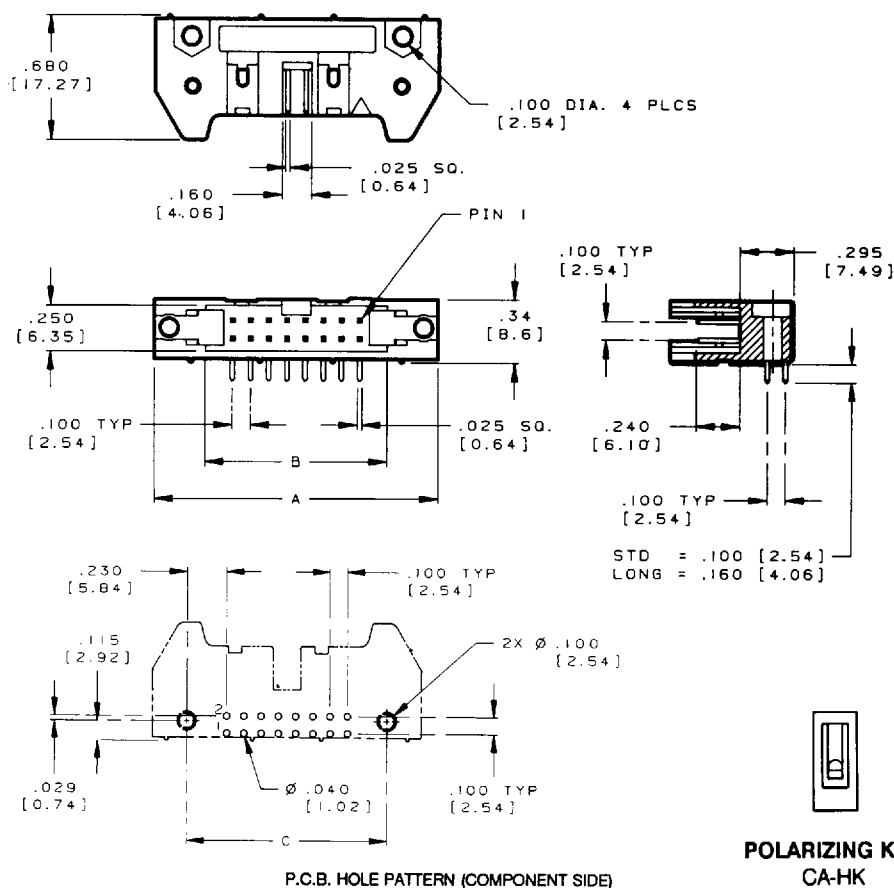


**CA**



**RIGHT ANGLE SHROUDED HEADER**

**Features**  
 .025 [0.64] square tail in three lengths

**Specifications Environmental**

Temperature Range:  
 -55°C to +120°C

**Mechanical**

Insulator Material:  
 Glass filled polyester, gray, UL94V-0

Contact Material:  
 Phosphor Bronze

Contact Plating:  
 10µ IN gold

**Electrical**

Current Rating:  
 1 AMP

Dielectric Withstanding Voltage:  
 500 Vrms

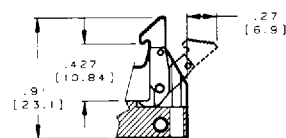
Insulation Resistance:  
 > 1000 Megohms

**Mating CA Product:**  
 IDS2, FID and IDS

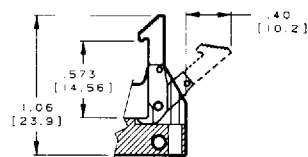
No. of Positions	Dimensions			Tail Type	Part Numbers		
	A	B	C		no latch	short latch	long latch
* 10	1.26 [32.0]	.700 [17.78]	1.100 [27.94]	Standard	CA-10HR-1B	CA-10HR-1B-S	CA-10HR-1B-SR
				Long	CA-10HR-2B	CA-10HR-2B-S	CA-10HR-2B-SR
10	1.26 [32.0]	.700 [17.78]	1.100 [27.94]	Standard	CA-10HR-1B-SPT	CA-10HR-1B-SPT-S	CA-10HR-1B-SPT-SR
				Long	CA-10HR-2B-SPT	CA-10HR-2B-SPT-S	CA-10HR-2B-SPT-SR
14	1.46 [37.1]	.900 [22.86]	1.300 [33.02]	Standard	CA-14HR-1B	CA-14HR-1B-S	CA-14HR-1B-SR
				Long	CA-14HR-2B	CA-14HR-2B-S	CA-14HR-2B-SR
16	1.56 [39.6]	1.000 [25.40]	1.400 [35.56]	Standard	CA-16HR-1B	CA-16HR-1B-S	CA-16HR-1B-SR
				Long	CA-16HR-2B	CA-16HR-2B-S	CA-16HR-2B-SR
20	1.76 [44.7]	1.200 [30.48]	1.600 [40.64]	Standard	CA-20HR-1B	CA-20HR-1B-S	CA-20HR-1B-SR
				Long	CA-20HR-2B	CA-20HR-2B-S	CA-20HR-2B-SR
26	2.06 [52.3]	1.500 [38.10]	1.900 [48.26]	Standard	CA-26HR-1B	CA-26HR-1B-S	CA-26HR-1B-SR
				Long	CA-26HR-2B	CA-26HR-2B-S	CA-26HR-2B-SR
34	2.46 [62.5]	1.900 [48.26]	2.300 [58.42]	Standard	CA-34HR-1B	CA-34HR-1B-S	CA-34HR-1B-SR
				Long	CA-34HR-2B	CA-34HR-2B-S	CA-34HR-2B-SR
40	2.76 [70.1]	2.200 [55.88]	2.600 [66.04]	Standard	CA-40HR-1B	CA-40HR-1B-S	CA-40HR-1B-SR
				Long	CA-40HR-2B	CA-40HR-2B-S	CA-40HR-2B-SR
50	3.26 [82.8]	2.700 [68.58]	3.100 [78.74]	Standard	CA-50HR-1B	CA-50HR-1B-S	CA-50HR-1B-SR
				Long	CA-50HR-2B	CA-50HR-2B-S	CA-50HR-2B-SR
60	3.76 [95.5]	3.200 [81.28]	3.600 [91.44]	Standard	CA-60HR-1B	CA-60HR-1B-S	CA-60HR-1B-SR
				Long	CA-60HR-2B	CA-60HR-2B-S	CA-60HR-2B-SR

\* No Polarizing Slot  
 For optional .610 [15.49] long wrap tail: replace -1B with -3WB

**Short Latch Ejector**  
 for use with IDS2 and FID without strain relief



**Long Latch Ejector**  
 for use with IDS2, FID and IDS with strain relief



E9598 I



LR65050