

CFPS-130, -131

ISSUE 2; 19 OCTOBER 2004

Delivery Options

- Please contact our sales office for current leadtimes

Output Compatibility

- HCMOS
- Tri-state (CFPS-131) (3.3V)
- Non tri-state (CFPS-130) (3.3V)

Package Outline

- 14.0 x 9.8mm SMD plastic encapsulated device. Available over 0 to 70°C

Standard Frequency Stabilities

- ± 50 ppm, ± 100 ppm (inclusive of supply voltage variations over the operating temperature range)

Operating Temperature Range

- 0 to 70°C

Storage Temperature Range

- -50 to 125°C

Tri-state Operation (CFPS-131)

- Logic '1' to pad 1 enables oscillator output
- Logic '0' to pad 1 disables oscillator output; when disabled the oscillator output goes to the high impedance state, 0.2V max
- No connection to pad 1 enables oscillator output
- When oscillator is enabled, maximum transition time = 100ns

Solder Conditions

- For typical soldering conditions, please see the relevant pages in Applications Notes

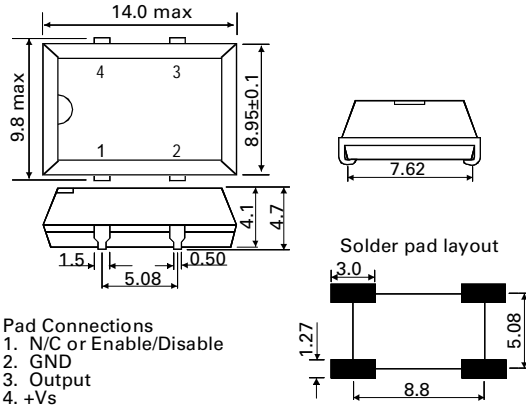
Marking

- Model number (+Operating Temperature Code; if applicable)
- Frequency Stability Code
- Frequency
- Date Code (Year/Week)

Minimum Order Information Required

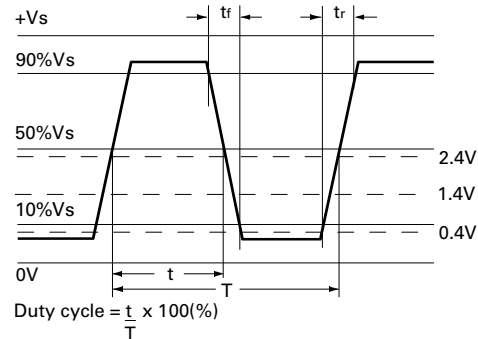
- Frequency + Model Number + Operating Temperature Code (if applicable) + Frequency Stability
- Please refer to our programmable oscillator chapter for fast make products

Outline in mm

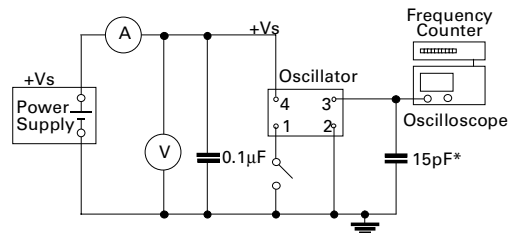


Note: Pad 1 = No connection on non tri-state models

Output Waveform - HCMOS



Test Circuit - HCMOS



*Inclusive of jigging & equipment capacitance
Note: Pad 1 = No connection on non tri-state models

Electrical Specification - maximum limiting values when measured in test circuit

Frequency Range	Frequency Stability	Supply Voltage	Supply Current	Rise Time(tr)	Fall Time (tf)	Duty Cycle	Model Number
1.0 to <27.0MHz	±50ppm, ±100ppm	3.3V±0.3V	10mA	5ns	5ns	40/60%	CFPS-130, -131
27.0 to <50.0MHz	±50ppm, ±100ppm	3.3V±0.3V	20mA	5ns	5ns	40/60%	CFPS-130, -131
50.0 to 60.0MHz	±50ppm, ±100ppm	3.3V±0.3V	25mA	5ns	5ns	40/60%	CFPS-130, -131

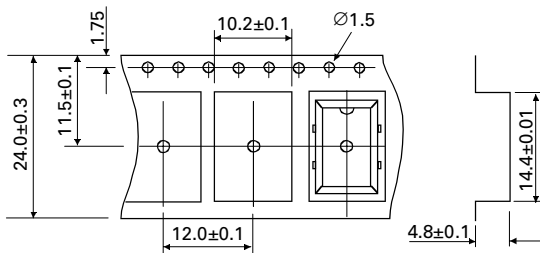
Ordering Example				24.0MHz	CFPS-130	C	
Frequency							
Model No							
Frequency Stability: B = ±50ppm; C = ±100ppm							

Please note that the rise and fall times listed are the maximum values we specify to cover various frequency breaks. In practise the actual values are generally lower depending upon the spot frequency chosen. For typical values please contact our sales office.

For higher frequencies than shown above, please see our CFPP-131 series.

SURFACE MOUNT
SPX08

Outline in mm - Tape



Outline in mm - Reel

