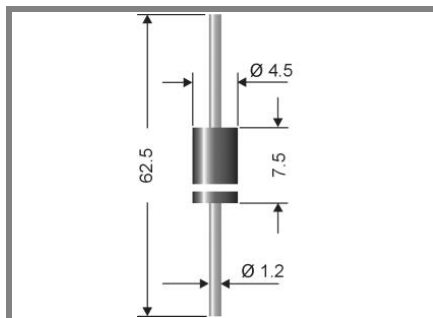


BZV58 C10...BZV58 C200 (5W)



Axial lead diode

Zener silicon diodes

BZV58 C10...BZV58 C200 (5W)

Maximum Power Dissipation: 5 W

Nominal Z-voltage: 10 to 200 V

Features

- Max. solder temperature: 260°C
- Plastic material has UL classification 94V-0
- Standard Zener voltage tolerance is graded to the international E 24 (5%) standard. Other voltage tolerances and higher Zener voltages on request.

Mechanical Data

- Plastic case DO-201
- Weight approx.: 1 g
- Terminals: plated terminals solderable per MIL-STD-750
- Mounting position: any
- Standard packaging: 1700 pieces per ammo

1) Valid, if leads are kept at ambient temperature at a distance of 10 mm from case

2) Tested with pulses

Absolute Maximum Ratings		T _c = 25 °C, unless otherwise specified	
Symbol	Conditions	Values	Units
P _{tot}	Power dissipation, T _A = 25 °C ¹⁾	5	W
P _{ZSM}	Non repetitive peak power dissipation, t < 10 ms	60	W
R _{thA}	Max. thermal resistance junction to ambient	25	K/W
R _{thT}	Max. thermal resistance junction to terminal	8	K/W
T _j	Operating junction temperature	-50...+150	°C
T _s	Storage temperature	-50...+175	°C

Type	Zener Voltage ²⁾ V _Z @I _{ZT}		Test curr. I _{ZT} mA	Dyn. Resistance Z _{ZT} @I _{ZT} Ω	Temp. Coeffiz. of V _Z a _{VZ} 10 ⁻⁴ /°C	I _R		I _{Zmax} mA
	V _{Zmin} V	V _{Zmax} V				μA	V _R V	
BZV58C10	9,4	10,6	125	<2	+5...+9	5	<7,6	470
BZV58C11	10,4	11,6	125	<2,5	+5...+10	5	<8,3	430
BZV58C12	11,4	12,7	100	<2,5	+5...+10	2	<9,1	390
BZV58C13	12,4	14,1	100	<2,5	+5...+10	1	<9,9	350
BZV58C15	13,8	15,6	75	<2,5	+5...+10	1	<11,4	320
BZV58C16	15,3	17,1	75	<2,5	+6...+11	1	<12,2	290
BZV58C18	16,8	19,1	65	<2,5	+6...+11	1	<13,7	260
BZV58C20	18,8	21,2	65	<3	+6...+11	1	<15,2	235
BZV58C22	20,8	23,3	50	<3,5	+6...+11	1	<16,7	215
BZV58C24	22,8	25,6	50	<3,5	+6...+11	1	<18,2	195
BZV58C27	25,1	28,9	50	<5	+6...+11	1	<20,5	170
BZV58C30	28	32	40	<8	+6...+11	1	<22,8	155
BZV58C33	31	35	40	<10	+6...+11	1	<25	140
BZV58C36	34	38	30	<11	+6...+11	1	<27,4	130
BZV58C39	37	41	30	<14	+6...+11	1	<29,6	120
BZV58C43	40	46	30	<20	+7...+12	1	<32,7	110
BZV58C47	44	50	25	<25	+7...+12	1	<35,7	100
BZV58C51	48	54	25	<27	+7...+12	1	<38,8	92
BZV58C56	52	60	20	<35	+7...+12	1	<42,5	83
BZV58C62	58	66	20	<42	+8...+13	1	<47,1	75
BZV58C68	64	72	20	<44	+8...+13	1	<51,7	69
BZV58C75	70	79	20	<45	+8...+13	1	<57	63
BZV58C82	77	88	15	<65	+8...+13	1	<62,4	57
BZV58C91	85	96	15	<75	+9...+13	1	<69,2	52
BZV58C100	94	106	12	<90	+9...+13	1	<76	47
BZV58C110	104	116	12	<125	+9...+13	1	<83,5	43
BZV58C120	114	127	10	<170	+9...+13	1	<91,2	39
BZV58C130	124	141	10	<190	+9...+13	1	<98,8	35
BZV58C150	138	156	8	<330	+9...+13	1	<114	32
BZV58C160	153	171	8	<350	+9...+13	1	<122	29
BZV58C180	168	191	5	<430	+9...+13	1	<137	26
BZV58C200	188	212	5	<480	+9...+13	1	<152	23