

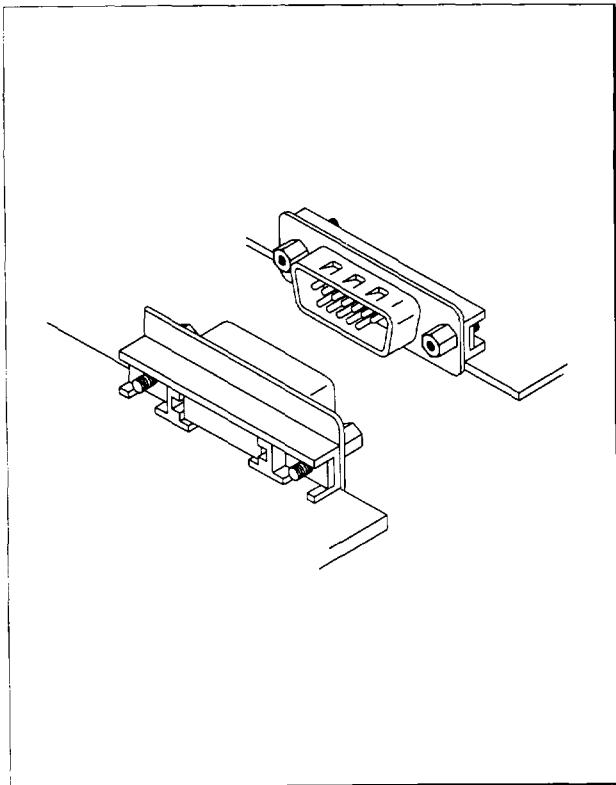
Features

- ◆ Audible in 9,15 and 25 circuits
- ◆ Insulator: UL94V-0 PPS.
- ◆ Contact: Phosphor bronze
- ◆ Shell: Steel, Nickel plated

Ordering Information

D*	-	**	P	K	F	R	C	2
1		2	3	4	5	6	7	8

1. Series No.
2. No. of circuits
- 3 .P= Plug
S= Socket
4. K= Slim type
5. F= Selective gold over 30~50 μ " nickel overall
6. R= Riveted type
7. C= Foot print pitch=1.2mm(.047")
A= Foot print pitch=2.5mm(.098")
8. 2= L type clip



Specifications

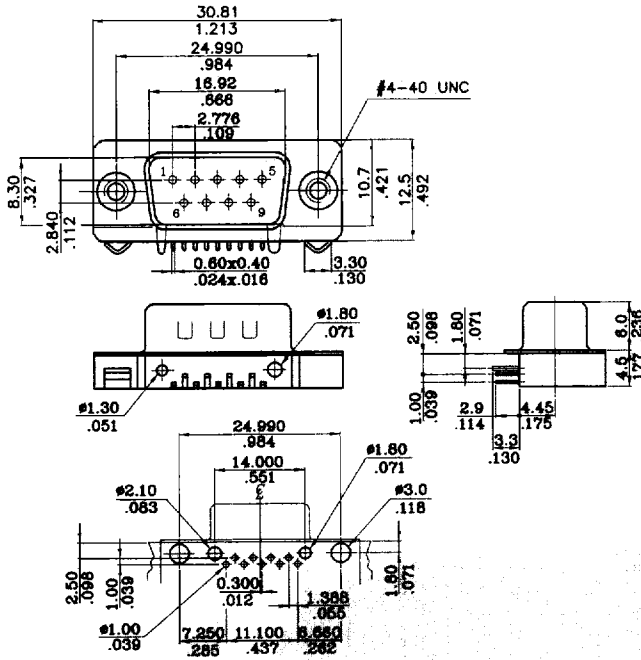
- ◆ Current rating: 1A AC
- ◆ Voltage rating: 250V DC
- ◆ Temperature rating: -65°C ~ + 125°C
- ◆ Contact resistance: 20m Ω max.
- ◆ Insulation resistance: 1,000M Ω min.
- ◆ Withstanding voltage: 250V AC /minute
- ◆ Applicable PC board thickness: 1.6mm

DPK Series Slim D-Sub Plug



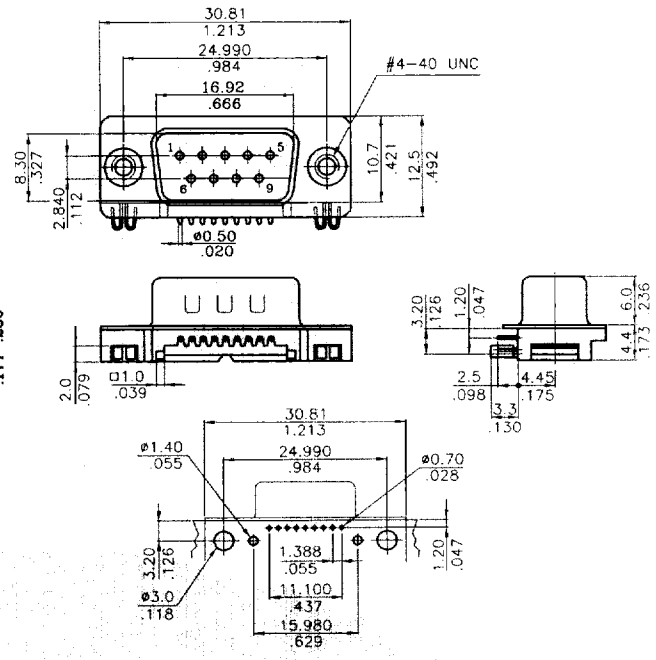
Unit : mm
inch

DE-09PKFRA2



RECOMMENDED HOLE PATTERN

DE-09PKFRC2



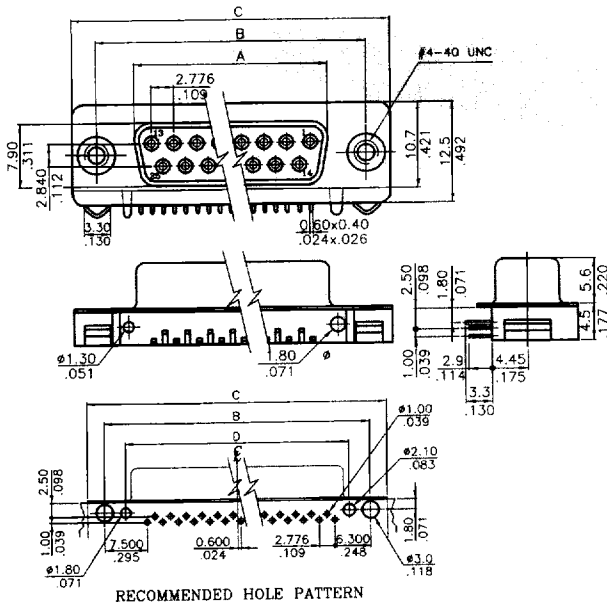
RECOMMENDED HOLE PATTERN

DSK Series Slim D-Sub Receptacle



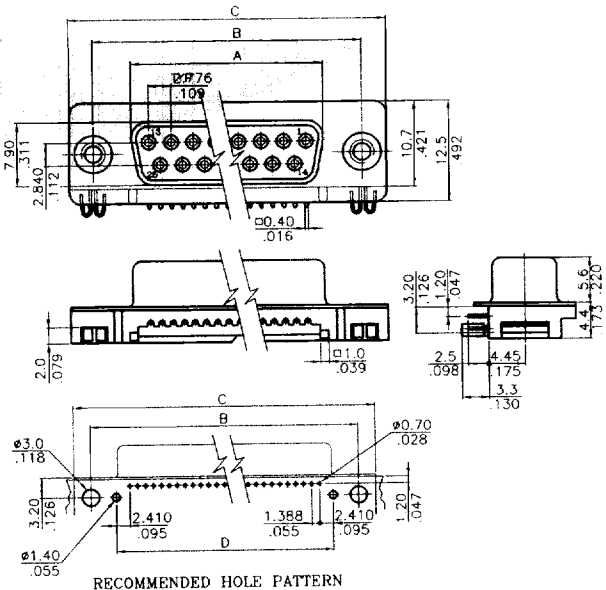
Unit : mm
inch

D*-**SKFRA2



RECOMMENDED HOLE PATTERN

D*-**SKFRC2



RECOMMENDED HOLE PATTERN

Dimensional & Ordering Information.

Circuit	Dim.A	Dim.B	Dim.C	Dim.D
15	24.60(.969)	33.320(1.311)	39.20(1.543)	25.69(1.011)
25	36.36(1.411)	47.040(1.852)	53.04(2.089)	39.54(1.557)

Dimensional & Ordering Information.

Circuit	Dim.A	Dim.B	Dim.C	Dim.D
15	24.60(.969)	33.320(1.311)	39.20(1.543)	24.24(.954)
25	36.36(1.411)	47.040(1.852)	53.04(2.089)	38.19(1.501)