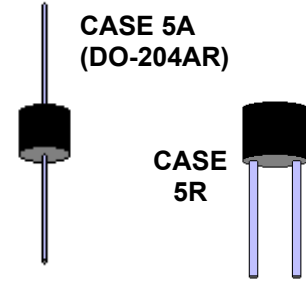


DESCRIPTION

These Microsemi 5 kW Transient Voltage Suppressors (TVSs) are designed for applications requiring protection of voltage-sensitive electronic devices that may be damaged by harsh or severe voltage transients including lightning per IEC61000-4-5 and classes with various source impedances described herein. This series is available in 5.0 to 110 volt standoff voltages (V_{WM}) in both unidirectional and bidirectional offered in two different package designs for axial and radial configurations. Microsemi also offers numerous other TVS products to meet higher and lower power demands and special applications.

APPEARANCE



IMPORTANT: For the most current data, consult MICROSEMI's website: <http://www.microsemi.com>

FEATURES

- Available in both Unidirectional and Bidirectional construction (Bidirectional with C or CA suffix)
- Available in both axial-leaded and radial packages (include R prefix in part number for radial package option shown in figure as "case 5R," e.g. R5KP5.0A)
- Selections for 5.0 to 110 volts standoff voltages (V_{WM})
- Suppresses transients up to 5000 watts @ 10/1000 μ s and 34,000 watts @ 8/20 μ s (see Figure 1)
- Optional 100% **screening for avionics grade** is available by adding MA prefix to part number for added 100% temperature cycle -55°C to +125°C (10X) as well as surge (3X) and 24 hours HTRB with post test V_Z & I_R (in the operating direction for unidirectional or both directions for bidirectional)
- Options for screening in accordance with MIL-PRF-19500 for JAN, JANTX, JANTXV, and JANS are also available by adding MQ, MX, MV, or MSP prefixes respectively to part numbers.
- Moisture classification is Level 1 with no dry pack required per IPC/JEDEC J-STD-020B
- RoHS Compliant devices available by adding "e3" suffix

APPLICATIONS / BENEFITS

- Protection from switching transients and induced RF
- Fast response
- Protection from ESD, and EFT per IEC 61000-4-2 and IEC 61000-4-4
- Secondary lightning protection per IEC61000-4-5 with 42 Ohms source impedance:
Class 1,2,3,4: 5KP5.0A to 5KP110A or CA
Class 5: 5KP5.0A to 5KP110A or CA (short distance)
Class 5: 5KP5.0A to 5KP36A or CA (long distance)
- Secondary lightning protection per IEC61000-4-5 with 12 Ohms source impedance:
Class 1 & 2: 5KP5.0A to 5KP110A or CA
Class 3: 5KP5.0A to 5KP78A or CA
Class 4: 5KP5.0A to 5KP40A or CA
- Secondary lightning protection per IEC61000-4-5 with 2 Ohms source impedance:
Class 2: 5KP5.0A to 5KP70A or CA
Class 3: 5KP5.0 to 5KP36A or CA
Class 4: 5KP5.0 to 5KP18A or CA

MAXIMUM RATINGS

- Peak Pulse Power dissipation at 25°C: 5000 watts at 10/1000 μ s (also see Figures 1 and 2)
- Impulse repetition rate (duty factor): 0.05%
- $t_{clamping}$ (0 volts to $V_{(BR)}$ min.): < 100 ps theoretical for unidirectional and < 5 ns for bidirectional
- Operating and Storage temperature: -65°C to +150°C
- Thermal resistance: 20°C/W junction to lead, or 80°C/W junction to ambient when mounted on FR4 PC board with 4 mm² copper pads (1oz) and track width 1 mm, length 25 mm
- Steady-State Power dissipation: 6 watts at $T_L = 30^\circ\text{C}$, or 1.56 watts at $T_A = 25^\circ\text{C}$ when mounted on FR4 PC board described for thermal resistance
- Forward Surge Voltage: 3.5 V maximum @ 100 Amps 8.3 ms half-sine wave (unidirectional devices only)
- Solder temperatures: 260°C for 10 s (maximum)

MECHANICAL AND PACKAGING

- CASE: Void-free transfer molded thermosetting epoxy body meeting UL94V-0
- TERMINALS: Tin-Lead or RoHS compliant annealed matte-Tin plating readily solderable per MIL-STD-750, method 2026
- MARKING: Body marked with part number
- POLARITY: Band denotes cathode for the axial-leaded package and a dot denotes cathode terminal for the radial package. Bidirectional not marked for polarity
- WEIGHT: 1.4 grams (approximate)
- TAPE & Reel: Standard per EIA-296 for axial package (add "TR" suffix to part number)
- See package dimensions on last page

ELECTRICAL CHARACTERISTICS

MICROSEMI PART NUMBER (Note 2)	REVERSE STAND-OFF VOLTAGE V_{WM} (Note 1)	BREAKDOWN VOLTAGE $V_{(BR)}$		MAXIMUM CLAMPING VOLTAGE V_c @ I_{PP}	MAXIMUM STANDBY CURRENT I_D @ V_{WM}	MAXIMUM PEAK PULSE CURRENT I_{PP} (FIG. 2)	MAXIMUM TEMPERATURE COEFFICIENT OF $V_{(BR)}$ $\alpha_{V(BR)}$ mV/°C
		$V_{(BR)}$ VOLTS	@ $I_{(BR)}$ mA				
5KP5.0	5.0	6.40 – 7.30	50	9.6	2000*	520	4.0
5KP5.0A	5.0	6.40 – 7.00	50	9.2	2000*	543	4.0
5KP6.0	6.0	6.67 – 8.15	50	11.4	5000	439	4.0
5KP6.0A	6.0	6.67 – 7.37	50	10.3	5000	485	4.0
5KP6.5	6.5	7.22 – 8.82	50	12.3	2000	407	4.0
5KP6.5A	6.5	7.22 – 7.98	50	11.2	2000	447	4.0
5KP7.0	7.0	7.78 – 9.51	50	13.3	1000	378	5.0
5KP7.0A	7.0	7.78 – 8.60	50	12.0	1000	417	5.0
5KP7.5	7.5	8.33 – 10.2	5	14.3	250	350	6.0
5KP7.5A	7.5	8.33 – 9.21	5	12.9	250	388	6.0
5KP8.0	8.0	8.89 – 10.9	5	15.0	150	333	6.0
5KP8.0A	8.0	8.89 – 9.83	5	13.6	150	367	6.0
5KP8.5	8.5	9.44 – 11.5	5	15.9	50	314	7.0
5KP8.5A	8.5	9.44 – 10.4	5	14.4	50	347	7.0
5KP9.0	9.0	10.0 – 12.2	5	16.9	20	295	8.0
5KP9.0A	9.0	10.0 – 11.1	5	15.4	20	325	8.0
5KP10	10	11.1 – 13.6	5	18.8	15	266	9.0
5KP10A	10	11.1 – 12.3	5	17.0	15	294	9.0
5KP11	11	12.2 – 14.9	5	20.1	10	249	10
5KP11A	11	12.2 – 13.5	5	18.2	10	274	10
5KP12	12	13.3 – 16.3	5	22.0	10	227	11
5KP12A	12	13.3 – 14.7	5	19.9	10	251	11
5KP13	13	14.4 – 17.6	5	23.8	10	210	12
5KP13A	13	14.4 – 15.9	5	21.5	10	232	12
5KP14	14	15.6 – 19.1	5	25.8	10	194	13
5KP14A	14	15.6 – 17.2	5	23.2	10	215	13
5KP15	15	16.7 – 20.4	5	26.9	10	188	15
5KP15A	15	16.7 – 18.5	5	24.4	10	206	15
5KP16	16	17.8 – 21.8	5	28.8	10	176	18
5KP16A	16	17.8 – 19.7	5	26.0	10	192	16
5KP17	17	18.9 – 23.1	5	30.5	10	164	19
5KP17A	17	18.9 – 20.9	5	27.6	10	181	18
5KP18	18	20.0 – 24.4	5	32.2	10	155	20
5KP18A	18	20.0 – 22.1	5	29.2	10	172	19
5KP20	20	22.2 – 27.1	5	35.8	10	139	24
5KP20A	20	22.2 – 24.5	5	32.4	10	154	22
5KP22	22	24.4 – 29.8	5	39.4	10	127	27
5KP22A	22	24.4 – 26.9	5	35.5	10	141	24
5KP24	24	26.7 – 32.6	5	43.0	10	116	30
5KP24A	24	26.7 – 29.5	5	38.9	10	128	27
5KP26	26	28.9 – 35.3	5	46.6	10	107	33
5KP26A	26	28.9 – 31.9	5	42.1	10	119	29
5KP28	28	31.1 – 38.0	5	50.1	10	99	34
5KP28A	28	31.1 – 34.4	5	45.5	10	110	30
5KP30	30	33.3 – 40.7	5	53.5	10	93	38
5KP30A	30	33.3 – 36.8	5	48.4	10	103	35
5KP33	33	36.7 – 44.9	5	59.0	10	85	41
5KP33A	33	36.7 – 40.6	5	53.3	10	94	38
5KP36	36	40.0 – 48.9	5	64.3	10	78	45
5KP36A	36	40.0 – 44.2	5	58.1	10	86	40
5KP40	40	44.4 – 54.3	5	71.4	10	70	50
5KP40A	40	44.4 – 49.1	5	64.5	10	78	45
5KP43	43	47.8 – 58.4	5	46.7	10	65	54
5KP43A	43	47.8 – 52.8	5	69.4	10	72	49
5KP45	45	50.0 – 61.1	5	80.3	10	62	57
5KP45A	45	50.0 – 55.3	5	72.7	10	69	51
5KP48	48	53.3 – 65.1	5	85.5	10	58	62
5KP48A	48	53.3 – 58.9	5	77.4	10	65	55
5KP51	51	56.7 – 69.3	5	91.1	10	55	65
5KP51A	51	56.7 – 62.7	5	82.4	10	61	60

MICROSEMI PART NUMBER (Note 2)	REVERSE STAND-OFF VOLTAGE V_{WM} (Note 1) VOLTS	BREAKDOWN VOLTAGE $V_{(BR)}$		MAXIMUM CLAMPING VOLTAGE V_C @ I_{PP} VOLTS	MAXIMUM STANDBY CURRENT I_D @ V_{WM} μA	MAXIMUM PEAK PULSE CURRENT I_{PP} (FIG. 2) A	MAXIMUM TEMPERATURE COEFFICIENT OF $V_{(BR)}$ $\alpha_{V(BR)}$ mV/°C
		$V_{(BR)}$ VOLTS	@ $I_{(BR)}$ mA				
5KP54	54	60.0 – 73.3	5	96.3	10	52	70
5KP54A	54	60.0 – 66.3	5	87.1	10	57	64
5KP58	58	64.4 – 78.7	5	103.0	10	49	77
5KP58A	58	64.4 – 71.2	5	93.6	10	53	69
5KP60	60	66.7 – 81.5	5	107.0	10	47	79
5KP60A	60	66.7 – 73.7	5	96.8	10	52	70
5KP64	64	71.1 – 86.9	5	114.0	10	44	85
5KP64A	64	71.1 – 78.6	5	103.0	10	49	75
5KP70	70	77.8 – 95.1	5	125	10	40	93
5KP70A	70	77.8 – 86.0	5	113	10	44	84
5KP75	75	83.3 – 102.0	5	134	10	37	100
5KP75A	75	83.3 – 92.1	5	121	10	41	90
5KP78	78	86.7 – 106.0	5	139	10	36	104
5KP78A	78	86.7 – 95.8	5	126	10	40	94
5KP85	85	94.4 – 115.0	5	151	10	33	113
5KP85A	85	94.4 – 104.0	5	137	10	36	102
5KP90	90	100 – 122	5	160	10	31	120
5KP90A	90	100 – 111	5	146	10	34	109
5KP100	100	111 – 136	5	179	10	28	134
5KP100A	100	111 – 123	5	162	10	31	122
5KP110	110	122 – 149	5	196	10	26	147
5KP110A	110	122 – 135	5	177	10	28	132

NOTE 1: Transient Voltage Suppressors are normally selected with reverse “Stand Off Voltage” V_{WM} which should be equal to or greater than the dc or continuous peak operating voltage level.

NOTE 2: For bidirectional construction, indicate a C or CA suffix after the part number.

* For the 5KP5.0C and 5KP5.0CA double the I_D Maximum Standby Current to 4000 μA

SYMBOLS & DEFINITIONS

Symbol	Definition	Symbol	Definition
V_{WM}	Working Peak (Standoff) Voltage	I_{PP}	Peak Pulse Current
P_{PP}	Peak Pulse Power	V_C	Clamping Voltage
$V_{(BR)}$	Breakdown Voltage	$I_{(BR)}$	Breakdown Current for $V_{(BR)}$
I_D	Standby Current		

GRAPHS

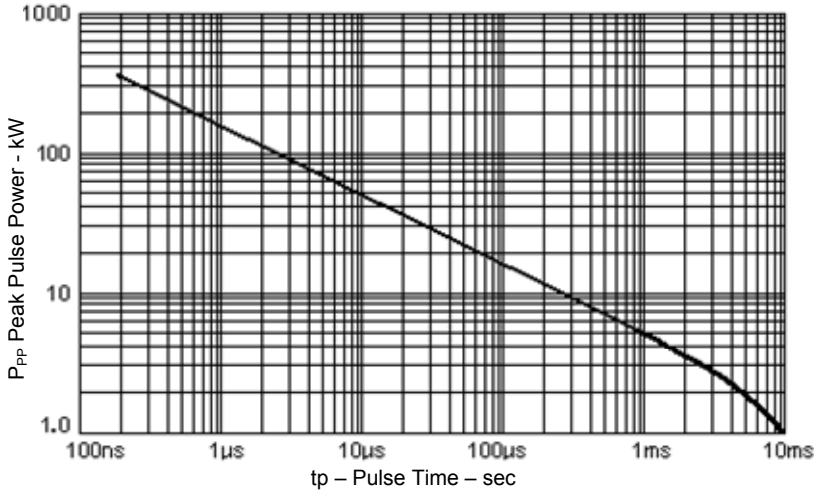
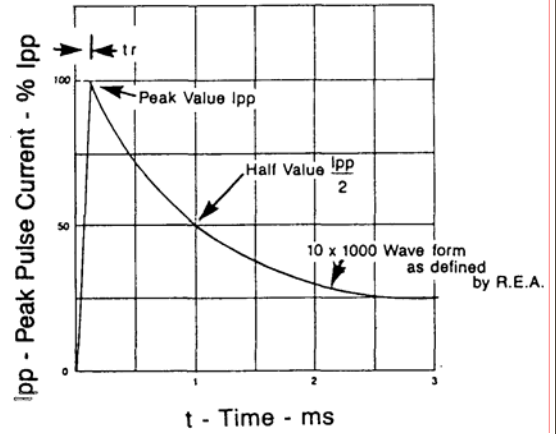


FIGURE 1
Peak Pulse Power vs. Pulse Time to 50% of Exponentially Decaying Pulse



Test waveform parameters: $t_r = 10 \mu s$, $t_p = 1000 \mu s$
FIGURE 2
Pulse Waveform

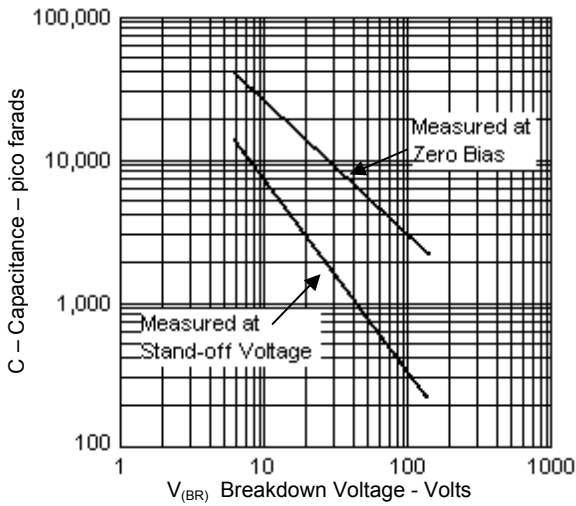
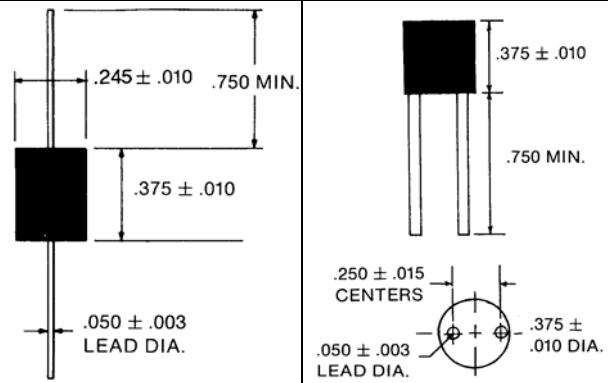


FIGURE 3
Typical Capacitance vs Breakdown Voltage

PACKAGE DIMENSIONS



CASE 5A
CASE 5R
NOTE: Dimensions are in inches.