

High Speed CMOS Logic Analog Multiplexers/Demultiplexers

November 1997

Features

- **Wide Analog Input Voltage Range** $\pm 5V$ Max
- **Low "On" Resistance**
 - 70 Ω Typical ($V_{CC} - V_{EE} = 4.5V$)
 - 40 Ω Typical ($V_{CC} - V_{EE} = 9V$)
- **Low Crosstalk between Switches**
- **Fast Switching and Propagation Speeds**
- **"Break-Before-Make" Switching**
- **Wide Operating Temperature Range** . . . -55 $^{\circ}C$ to 125 $^{\circ}C$
- **CD54HC/CD74HC Types**
 - Operation Control Voltage 2V to 6V
 - Switch Voltage 0V to 10V
 - High Noise Immunity . . . $N_{IL} = 30\%$, $N_{IH} = 30\%$ of V_{CC} , $V_{CC} = 5V$
- **CD545HCT/CD74HCT Types**
 - Operation Control Voltage 4.5V to 5.5V
 - Switch Voltage 0V to 10V
 - Direct LSTTL Input
Logic Compatibility . . . $V_{IL} = 0.8V$ Max, $V_{IH} = 2V$ Min
 - CMOS Input Compatibility $I_I \leq 1\mu A$ at V_{OL} , V_{OH}

Description

The Harris CD54HC4051, CD54HCT4051, CD74HC4051, CD74HCT4051 are digitally controlled analog switches which utilize silicon gate CMOS technology to achieve operating speeds similar to LSTTL with the low power consumption of standard CMOS integrated circuits.

These analog multiplexers/demultiplexers control analog voltages that may vary across the voltage supply range (i.e. V_{CC} to V_{EE}). They are bidirectional switches thus allowing any analog input to be used as an output and visa-versa. The switches have low "on" resistance and low "off" leakages. In addition, all three devices have an enable control which, when high, disables all switches to their "off" state.

Ordering Information

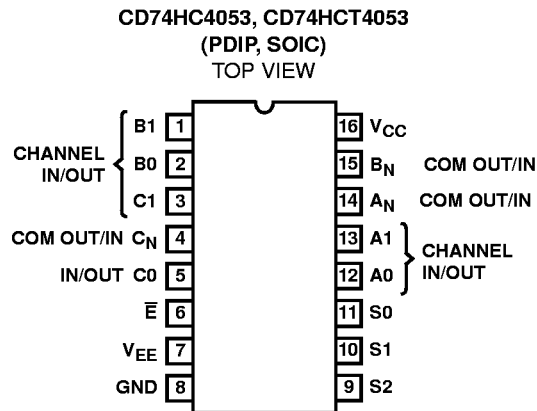
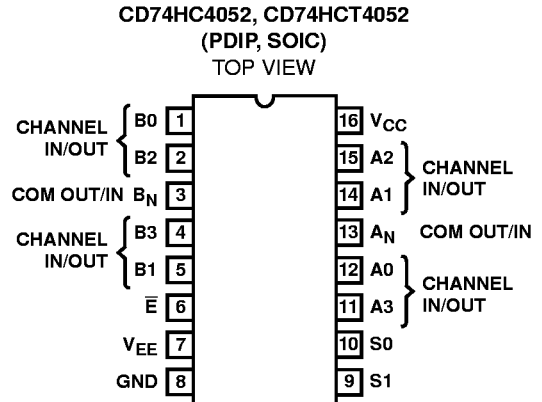
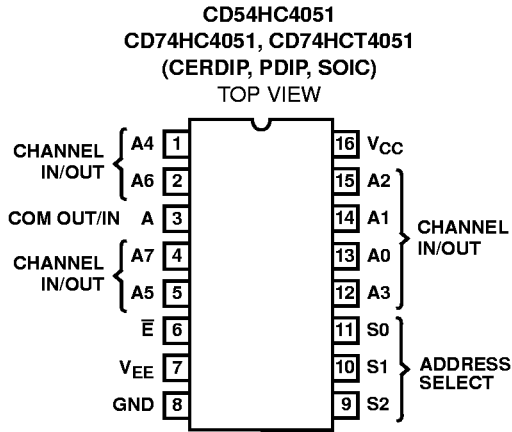
PART NUMBER	TEMP. RANGE ($^{\circ}C$)	PACKAGE	PKG. NO.
CD54HC4051F	-55 to 125	16 Ld CERDIP	F16.3
CD74HC4051E	-55 to 125	16 Ld PDIP	E16.3
CD74HC4052E	-55 to 125	16 Ld PDIP	E16.3
CD74HC4053E	-55 to 125	16 Ld PDIP	E16.3
CD74HCT4051E	-55 to 125	16 Ld PDIP	E16.3
CD74HCT4052E	-55 to 125	16 Ld PDIP	E16.3
CD74HCT4053E	-55 to 125	16 Ld PDIP	E16.3
CD74HC4051M	-55 to 125	16 Ld SOIC	M16.15
CD74HC4052M	-55 to 125	16 Ld SOIC	M16.15
CD74HC4053M	-55 to 125	16 Ld SOIC	M16.15
CD74HCT4051M	-55 to 125	16 Ld SOIC	M16.15
CD74HCT4052M	-55 to 125	16 Ld SOIC	M16.15
CD74HCT4053M	-55 to 125	16 Ld SOIC	M16.15
CD74HCT4052SM	-55 to 125	16 Ld SSOP	M16.15A

NOTES:

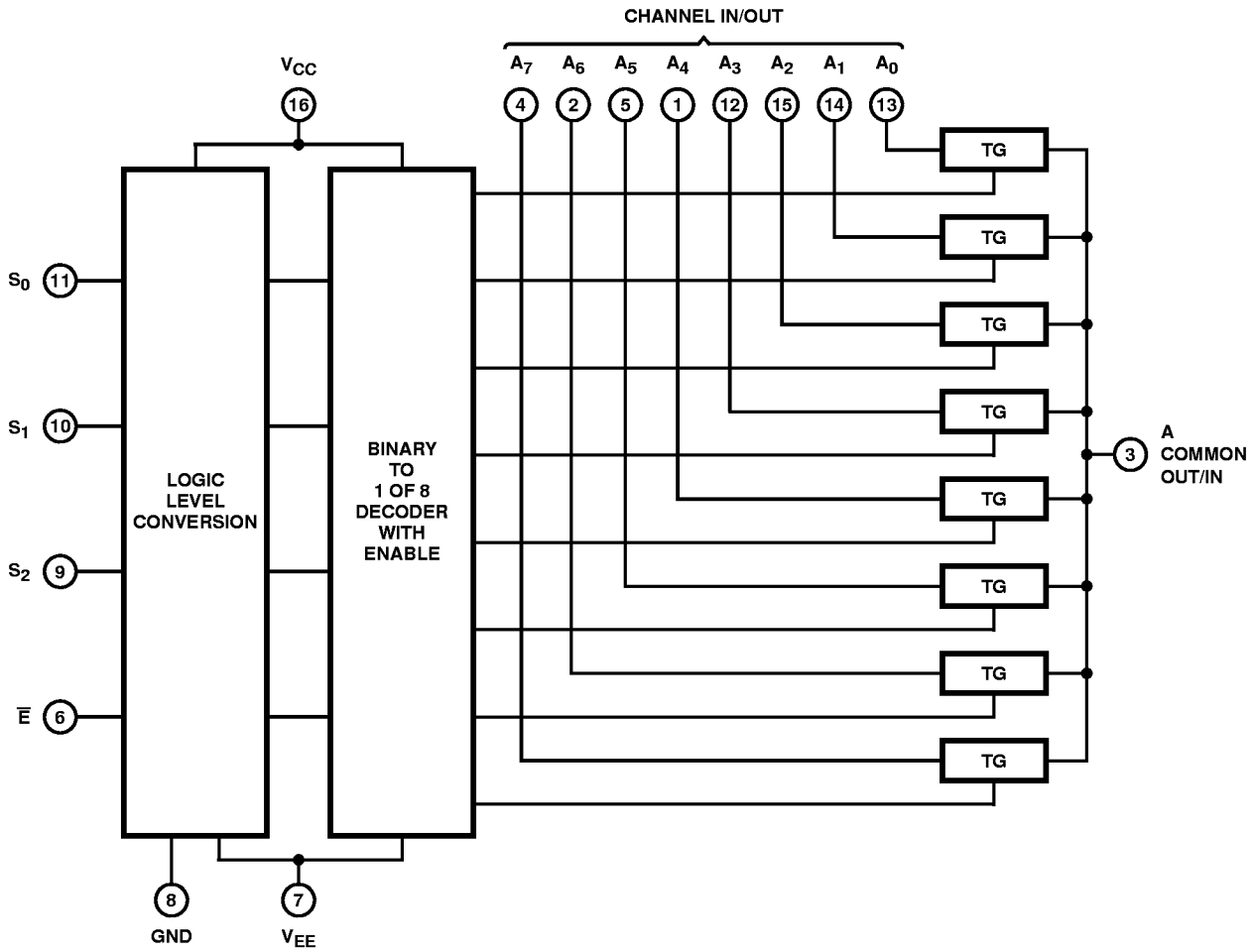
1. When ordering, use the entire part number. Add the suffix 96 to obtain the variant in the tape and reel.
2. Wafer or die is available which meets all electrical specifications. Please contact your local sales office or Harris customer service for ordering information.

CD54HC4051, CD74HC4051, 52, 53; CD74HCT4051, 52, 53

Pinouts



Functional Diagram of HC/HCT4051

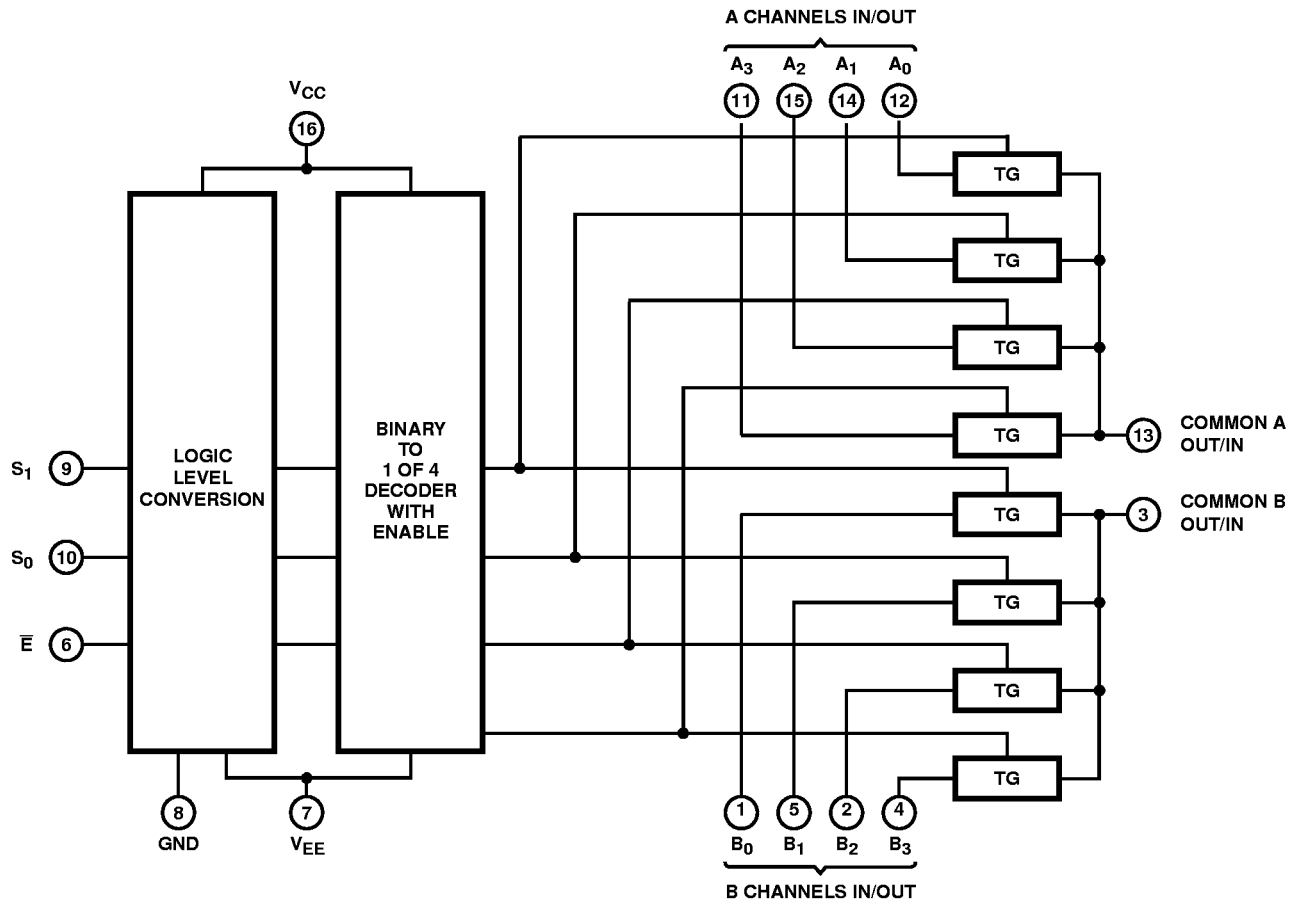


TRUTH TABLE
CD54/74HC/HCT4051

INPUT STATES				"ON" CHANNELS
ENABLE	S ₂	S ₁	S ₀	
L	L	L	L	A0
L	L	L	H	A1
L	L	H	L	A2
L	L	H	H	A3
L	H	L	L	A4
L	H	L	H	A5
L	H	H	L	A6
L	H	H	H	A7
H	X	X	X	None

X = Don't care

Functional Diagram of HC/HCT4052

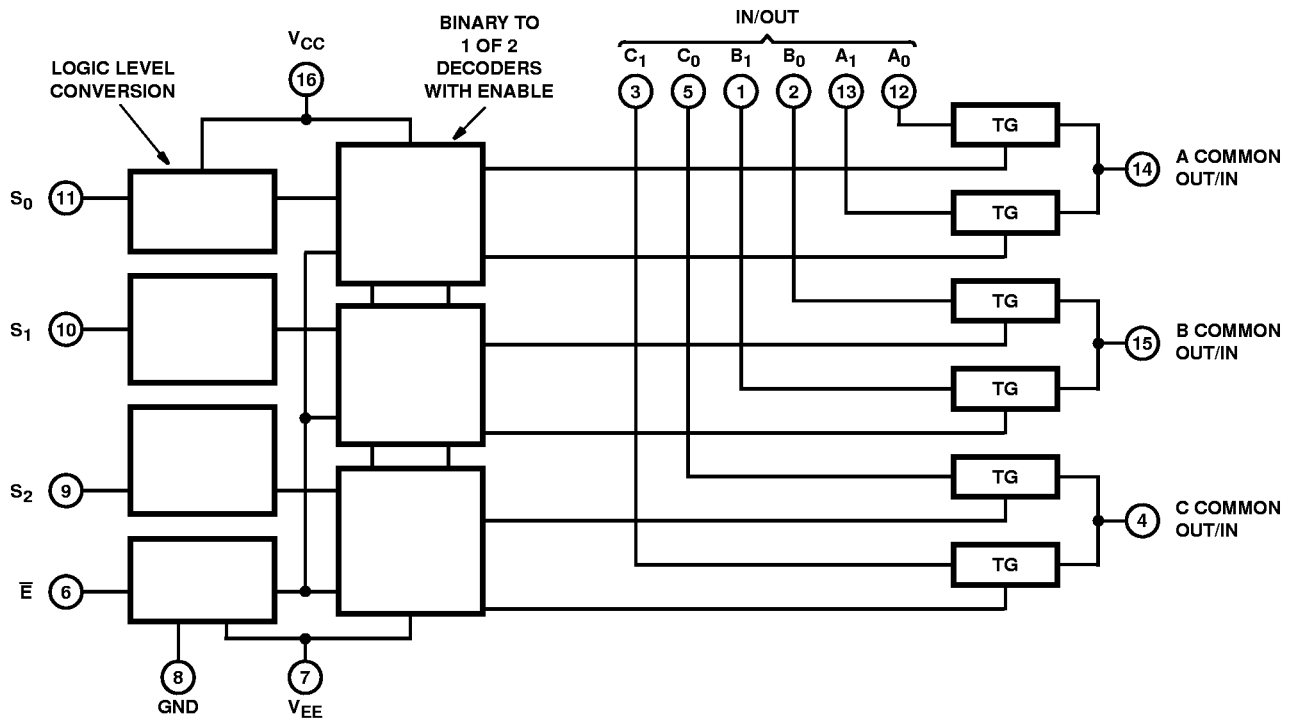


TRUTH TABLE
CD74HC4052, CD74HCT4052

INPUT STATES			"ON" CHANNELS
ENABLE	S ₁	S ₀	
L	L	L	A0, B0
L	L	H	A1, B1
L	H	L	A2, B2
L	H	H	A3, B3
H	X	X	None

X = Don't care

Functional Diagram of HC/HCT4053



TRUTH TABLE
CD74HC4053, CD74HCT4053

INPUT STATES				"ON" CHANNELS
ENABLE	S ₀	S ₁	S ₂	
L	L	L	L	C0, B0, A0
L	H	L	L	C0, B0, A1
L	L	H	L	C0, B1, A0
L	H	H	L	C0, B1, A1
L	L	L	H	C1, B0, A0
L	H	L	H	C1, B0, A1
L	L	H	H	C1, B1, A0
L	H	H	H	C1, B1, A1
H	X	X	X	None

X = Don't care

CD54HC4051, CD74HC4051, 52, 53; CD74HCT4051, 52, 53

Absolute Maximum Ratings (Note 3)

DC Supply Voltage, $V_{CC} - V_{EE}$	-0.5V to 10.5V
DC Supply Voltage, V_{CC}	-0.5V to +7V
DC Supply Voltage, V_{EE}	+0.5V to -7V
DC Input Diode Current, I_{IK}	
For $V_I < -0.5V$ or $V_I > V_{CC} + 0.5V$	$\pm 20mA$
DC Switch Diode Current, I_{OK}	
For $V_I < V_{EE} - 0.5V$ or $V_I > V_{CC} + 0.5V$	$\pm 20mA$
DC Switch Current, (Note 2)	
For $V_I > V_{EE} - 0.5V$ or $V_I < V_{CC} + 0.5V$	$\pm 25mA$
DC V_{CC} or Ground Current, I_{CC}	$\pm 50mA$
DC V_{EE} Current, I_{EE}	-20mA

Thermal Information

Thermal Resistance (Typical, Note 4)	θ_{JA} ($^{\circ}C/W$)	θ_{JC} ($^{\circ}C/W$)
PDIP Package	90	N/A
SOIC Package	160	N/A
CERDIP Package	130	55
Maximum Junction Temperature	150 $^{\circ}C$	
Maximum Storage Temperature Range	-65 $^{\circ}C$ to 150 $^{\circ}C$	
Maximum Lead Temperature (Soldering 10s)	300 $^{\circ}C$	

Recommended Operating Conditions

For maximum reliability, nominal operating conditions should be selected so that operation is always within the following ranges

PARAMETER	MIN	MAX	UNITS
Supply Voltage Range (For T_A = Full Package Temperature Range), V_{CC} (Note 5)			
CD54/74HC Types	2	6	V
CD54/74HCT Types	4.5	5.5	V
Supply Voltage Range (For T_A = Full Package Temperature Range), $V_{CC} - V_{EE}$			
CD54/74HC Types, CD54/74HCT Types (See Figure 1)	2	10	V
Supply Voltage Range (For T_A = Full Package Temperature Range), V_{EE} (Note 5)			
CD54/74HC Types, CD54/74HCT Types (See Figure 2)	0	-6	V
DC Input Control Voltage, V_I	GND	V_{CC}	V
Analog Switch I/O Voltage, V_{IS}	V_{EE}	V_{CC}	V
Operating Temperature, T_A	-55	125	$^{\circ}C$
Input Rise and Fall Times, t_r , t_f			
2V	0	1000	ns
4.5V	0	500	ns
6V	0	400	ns

CAUTION: Stresses above those listed in "Absolute Maximum Ratings" may cause permanent damage to the device. This is a stress only rating and operation of the device at these or any other conditions above those indicated in the operational sections of this specification is not implied.

NOTES:

- All voltages referenced to GND unless otherwise specified.
- θ_{JA} is measured with the component mounted on an evaluation PC board in free air.
- In certain applications, the external load resistor current may include both V_{CC} and signal line components. To avoid drawing V_{CC} current when switch current flows into the transmission gate inputs, the voltage drop across the bidirectional switch must not exceed 0.6V (calculated from r_{ON} values shown in Electrical Specifications table). No V_{CC} current will flow through R_L if the switch current flows into terminal 3 on the HC/HCT4051; terminals 3 and 13 on the HC/HCT4052; terminals 4, 14 and 15 on the HC/HCT4053.

Recommended Operating Area as a Function of Supply Voltages

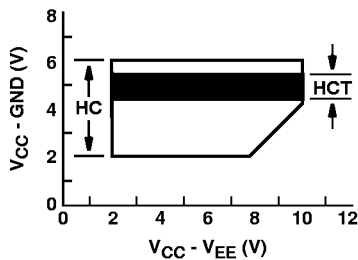


FIGURE 1.

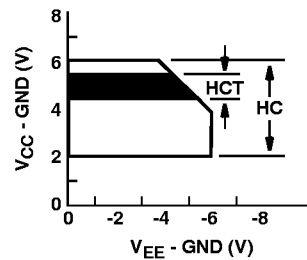
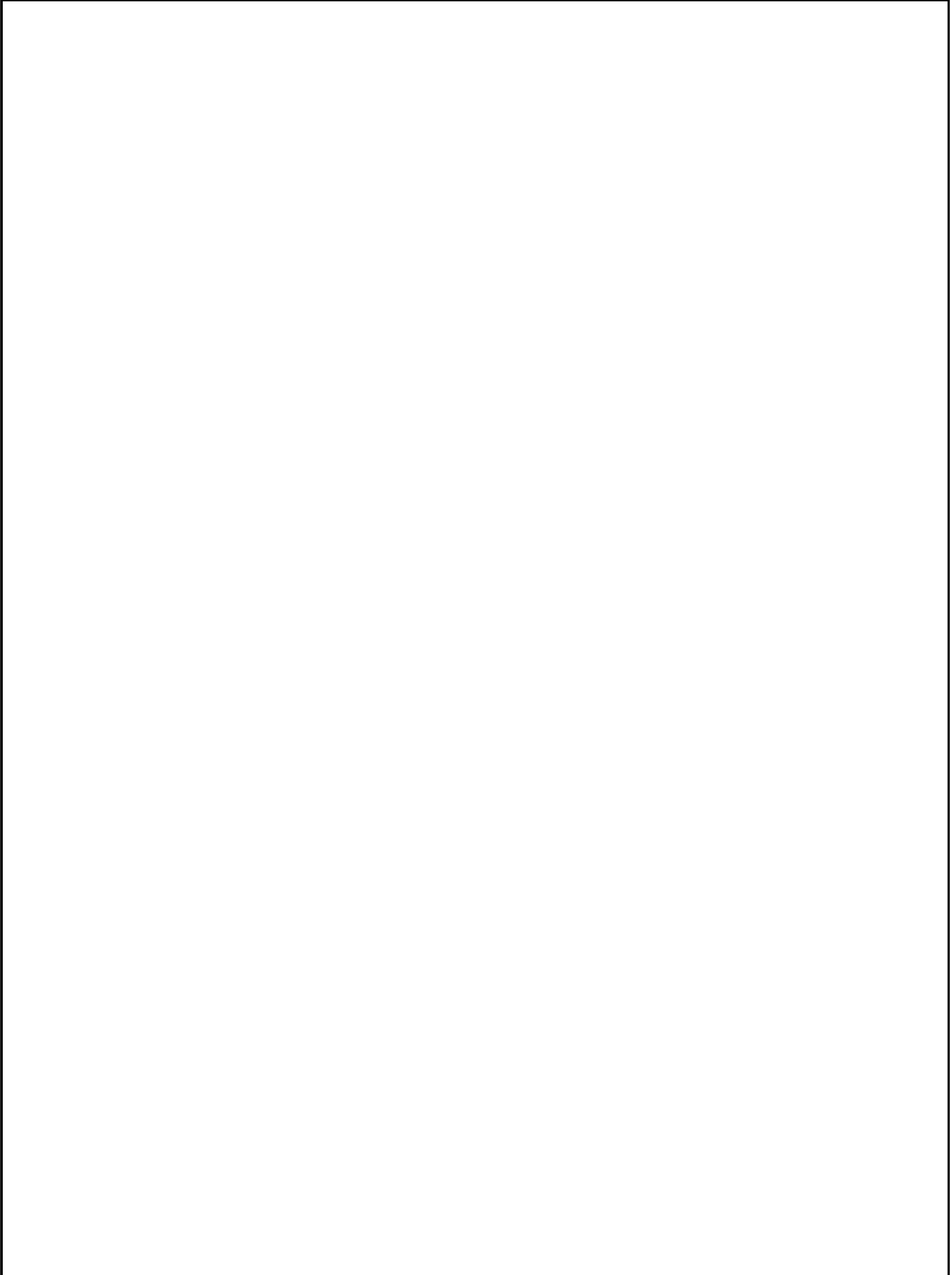


FIGURE 2.



CD54HC4051, CD74HC4051, 52, 53; CD74HCT4051, 52, 53

DC Electrical Specifications

PARAMETER	TEST CONDITIONS				AMBIENT TEMPERATURE, T _A						UNITS			
	V _{IS} (V)	V _I (V)	V _{EE} (V)	V _{CC} (V)	25°C			-40°C - 85°C		-55°C - 125°C				
					MIN	TYP	MAX	MIN	MAX	MIN		MAX		
HC TYPES														
High Level Input Voltage, V _{IH}				2	1.5	-	-	1.5	-	1.5	-	V		
				4.5	3.15	-	-	3.15	-	3.15	0	V		
				6	4.2	-	-	4.2	-	4.2	-	V		
Low Level Input Voltage, V _{IL}				2	-	-	0.5	-	0.5	-	0.5	V		
				4.5	-	-	1.35	-	1.35	-	1.35	V		
				6	-	-	1.8	-	1.8	-	1.8	V		
On Resistance, r _{ON} I _O = 1mA, (Figure 11)	V _{CC} or V _{EE}	V _{IL} or V _{IH}	0	4.5	-	70	160	-	200	-	240	Ω		
			0	6	-	60	140	-	175	-	210	Ω		
			-4.5	4.5	-	40	120	-	150	-	180	Ω		
	V _{CC} to V _{EE}		0	4.5	-	90	180	-	225	-	270	Ω		
			0	6	-	80	160	-	200	-	240	Ω		
			-4.5	4.5	-	45	130	-	162	-	195	Ω		
Maximum On Resistance Between any Two Channels, Δr _{ON}			0	4.5	-	10	-	-	-	-	Ω			
			0	6	-	8.5	-	-	-	-	Ω			
			-4.5	4.5	-	5	-	-	-	-	Ω			
Switch On/Off Leakage Current, I _{Iz}	For Switch Off: When V _{IS} = V _{CC} , V _{OS} = V _{EE} ; When V _{IS} = V _{EE} , V _{OS} = V _{CC} For Switch On: All Applicable Combinations of V _{IS} and V _{OS} Voltage Levels	V _{IL} or V _{IH}												
			1 and 2 Channels	4053	0	6	-	-	±0.1	-	±1	-	±1	μA
			4 Channels	4052	-5	5	-	-	±0.1	-	±1	-	±1	μA
					0	6	-	-	±0.1	-	±1	-	±1	μA
					-5	5	-	-	±0.2	-	±2	-	±2	μA
					0	6	-	-	±0.2	-	±2	-	±2	μA
					-5	5	-	-	±0.4	-	±4	-	±4	μA
Control Input Leakage Current, I _{IL}		V _{CC} or GND	0	6	-	-	±0.1	-	±1	-	±1	μA		
Quiescent Device Current, I _{CC} I _O = 0	When V _{IS} = V _{EE} , V _{OS} = V _{CC}	V _{CC} or GND	0	6	-	-	8	-	80	-	160	μA		
	When V _{IS} = V _{CC} , V _{OS} = V _{EE}		-5	5	-	-	16	-	160	-	320	μA		

CD54HC4051, CD74HC4051, 52, 53; CD74HCT4051, 52, 53

DC Electrical Specifications (Continued)

PARAMETER	TEST CONDITIONS				AMBIENT TEMPERATURE, T _A								UNITS	
	V _{IS} (V)	V _I (V)	V _{EE} (V)	V _{CC} (V)	25°C			-40°C - 85°C		-55°C - 125°C				
					MIN	TYP	MAX	MIN	MAX	MIN	MAX			
HCT TYPES														
High Level Input Voltage, V _{IH}				4.5 to 5.5	2	-	-	2	-	2	-	V		
Low Level Input Voltage, V _{IL}				4.5 to 5.5	-	-	0.8	-	0.8	-	0.8	V		
On Resistance, r _{ON} I _O = 1mA, (Figure 15)	V _{CC} or V _{EE}	V _{IL} or V _{IH}	0	4.5	-	70	160	-	200	-	240	Ω		
			-	-	-	-	-	-	-	-	-	Ω		
			-4.5	4.5	-	40	120	-	150	-	180	Ω		
	V _{CC} to V _{EE}		0	4.5	-	90	180	-	225	-	270	Ω		
			-	-	-	-	-	-	-	-	-	Ω		
			-4.5	4.5	-	45	130	-	162	-	195	Ω		
Maximum On Resistance Between any Two Channels, Δr _{ON}			0	4.5	-	10	-	-	-	-	Ω			
			-	-	-	-	-	-	-	-	Ω			
			-4.5	4.5	-	5	-	-	-	-	Ω			
Switch On/Off Leakage Current, I _{JZ}	For Switch Off: When V _{IS} = V _{CC} , V _{OS} = V _{EE} ; When V _{IS} = V _{EE} , V _{OS} = V _{CC} For Switch On: All Applicable Combinations of V _{IS} and V _{OS} Voltage Levels	V _{IL} or V _{IH}												
			1 and 2 Channels	4053	0	6	-	-	±0.1	-	±1	-	±1	μA
			4 Channels	4052	-5	5	-	-	±0.1	-	±1	-	±1	μA
			8 Channels	4051	0	6	-	-	±0.1	-	±1	-	±1	μA
					-5	5	-	-	±0.2	-	±2	-	±2	μA
					0	6	-	-	±0.2	-	±2	-	±2	μA
		-5	5	-	-	±0.4	-	±4	-	±4	μA			
Control Input Leakage Current, I _{IL}	-	(Note 7)	-	5.5	-	-	±0.1	-	±1	-	±1	μA		
Quiescent Device Current, I _{CC} I _O = 0	When V _{IS} = V _{EE} , V _{OS} = V _{CC}	V _{CC} or GND	0	5.5	-	-	8	-	80	-	160	μA		
	When V _{IS} = V _{CC} , V _{OS} = V _{EE}		-4.5	5.5	-	-	16	-	160	-	320	μA		
Additional Quiescent Device Current, ΔI _{CC} (Note 6) Per Input Pin: 1 Unit Load		V _{CC} - 2.1	4.5 to 5.5	-	100	360	-	450	-	490	μA			

NOTES:

- For dual supply systems theoretical worst case (V_I = 2.4V, V_{CC} = 5.5V) specification is 1.8mA.
- Any voltage between V_{CC} and GND.

HCT Input Loading Table

TYPE	INPUT	UNIT LOADS (NOTE)
4051, 4053	All	0.5
4052	All	0.4

NOTE: Unit load is ΔI_{CC} limit specified in DC Specifications table, e.g., 360mA max. at 25°C.

CD54HC4051, CD74HC4051, 52, 53; CD74HCT4051, 52, 53

Switching Specifications $V_{CC} = 5V$, $T_A = 25^\circ C$, Input t_r , $t_f = 6ns$

PARAMETER	C_L (pF)	TYPICAL						UNITS
		4051		4052		4053		
		HC	HCT	HC	HCT	HC	HCT	
Propagation Delay Switch IN to OUT, t_{PHL} , t_{PLH}	15	4	4	4	4	4	4	ns
Switch Turn-Off (S or \bar{E}), t_{PHZ} , t_{PLZ}	15	19	19	21	21	18	18	ns
Switch Turn-On (S or \bar{E}), t_{PZH} , t_{PZL}	15	19	23	27	29	18	20	ns
Power Dissipation Capacitance, C_{PD} (Note 8)	-	50	52	74	76	38	42	pF

NOTE:

8. C_{PD} is used to determine the dynamic power consumption, per package.

$$P_D = C_{PD} V_{CC}^2 f_I + \sum (C_L + C_S) V_{CC}^2 f_O$$

f_O = output frequency

f_I = input frequency

C_L = output load capacitance

C_S = switch capacitance

V_{CC} = supply voltage

Switching Specifications $C_L = 50pF$, Input t_r , $t_f = 6ns$

PARAMETER	V_{EE} (V)	V_{CC} (V)	AMBIENT TEMPERATURE, T_A												UNITS	
			25°C				-40°C - 85°C				-55°C - 125°C					
			HC		HCT		HC		HCT		HC		HCT			
			MIN	MAX	MIN	MAX	MIN	MAX	MIN	MAX	MIN	MAX	MIN	MAX		
Propagation Delay, Switch In to Out, t_{PLH} , t_{PHL}	0	2	-	60	-	-	-	75	-	-	-	90	-	-	ns	
	0	4.5	-	12	-	12	-	15	-	15	-	18	-	18	ns	
	0	6	-	10	-	-	-	13	-	-	-	15	-	-	ns	
	-4.5	4.5	-	8	-	8	-	10	-	10	-	12	-	12	ns	
Maximum Switch Turn "Off" Delay from S or \bar{E} to Switch Output t_{PHZ} , t_{PLZ}	4051	0	2	-	225	-	-	-	280	-	-	-	340	-	-	ns
		0	4.5	-	45	-	45	-	56	-	56	-	68	-	68	ns
		0	6	-	38	-	-	-	48	-	-	-	57	-	-	ns
		-4.5	4.5	-	32	-	32	-	40	-	40	-	48	-	48	ns
	4052	0	2	-	250	-	-	-	315	-	-	-	375	-	-	ns
		0	4.5	-	50	-	50	-	63	-	63	-	75	-	75	ns
		0	6	-	43	-	-	-	54	-	-	-	65	-	-	ns
		-4.5	4.5	-	38	-	38	-	48	-	48	-	57	-	57	ns
	4053	0	2	-	210	-	-	-	265	-	-	-	315	-	-	ns
		0	4.5	-	42	-	44	-	53	-	55	-	63	-	66	ns
		0	6	-	36	-	-	-	45	-	-	-	54	-	-	ns
		-4.5	4.5	-	29	-	31	-	36	-	39	-	44	-	47	ns

CD54HC4051, CD74HC4051, 52, 53; CD74HCT4051, 52, 53

Switching Specifications $C_L = 50\text{pF}$, Input $t_r, t_f = 6\text{ns}$ (Continued)

PARAMETER		V_{EE} (V)	V_{CC} (V)	AMBIENT TEMPERATURE, T_A										UNITS		
				25°C				-40°C - 85°C				-55°C - 125°C				
				HC		HCT		HC		HCT		HC			HCT	
				MIN	MAX	MIN	MAX	MIN	MAX	MIN	MAX	MIN	MAX		MIN	MAX
Maximum Switch Turn "On" Delay from S or E to Switch Output t_{PZL}, t_{PZH}	4051	0	2	-	225	-	-	-	280	-	-	-	340	-	-	ns
		0	4.5	-	45	-	55	-	56	-	69	-	68	-	83	ns
		0	6	-	38	-	-	-	48	-	-	-	57	-	-	ns
		-4.5	4.5	-	32	-	39	-	40	-	49	-	48	-	59	ns
	4052	0	2	-	325	-	-	-	405	-	-	-	490	-	-	ns
		0	4.5	-	65	-	70	-	81	-	68	-	98	-	105	ns
		0	6	-	55	-	-	-	69	-	-	-	83	-	-	ns
		-4.5	4.5	-	46	-	48	-	58	-	60	-	69	-	72	ns
	4053	0	2	-	220	-	-	-	275	-	-	-	330	-	-	ns
		0	4.5	-	44	-	48	-	55	-	60	-	66	-	72	ns
		0	6	-	37	-	-	-	47	-	-	-	56	-	-	ns
		-4.5	4.5	-	31	-	34	-	39	-	43	-	47	-	51	ns
Input (Control) Capacitance, C_i	-	-	-	10	-	10	-	10	-	10	-	10	-	10	pF	

Analog Channel Specifications Typical Values at $T_A = 25^\circ\text{C}$

PARAMETER	TEST CONDITIONS	HC/HCT TYPES	V_{EE} (V)	V_{CC} (V)	HC/ HCT	UNITS
Switch Input Capacitance, C_i		All	-	-	5	pF
Common Output Capacitance, C_{COM}		4051	-	-	25	pF
		4052	-	-	12	pF
		4053	-	-	8	pF
Minimum Switch Frequency Response at -3dB, f_{MAX} (Figures 12, 14, 16)	See Figure 3, Notes 9, 10	4051	-2.25	2.25	145	MHz
		4052			165	MHz
		4053			200	MHz
		4051	-4.5	4.5	180	MHz
		4052			185	MHz
		4053			200	MHz

CD54HC4051, CD74HC4051, 52, 53; CD74HCT4051, 52, 53

Analog Channel Specifications Typical Values at $T_A = 25^\circ\text{C}$

PARAMETER	TEST CONDITIONS	HC/HCT TYPES	V_{EE} (V)	V_{CC} (V)	HC/HCT	UNITS
Crosstalk Between any Two Switches (Note 12)	See Figure 4, Notes 10, 11	4051	-2.25	2.25	N/A	dB
		4052			(TBE)	dB
		4053			(TBE)	dB
		4051	-4.5	4.5	N/A	dB
		4052			(TBE)	dB
		4053			(TBE)	dB
Sinewave Distortion	See Figure 5	All	-2.25	2.25	0.035	%
		All	-4.5	4.5	0.018	%
\bar{E} or S to Switch Feedthrough Noise	See Figure 6 Notes 10, 11	4051	-2.25	2.25	(TBE)	mV
		4052				mV
		4053				mV
		4051	-4.5	4.5	(TBE)	mV
		4052				mV
		4053				mV
Switch "OFF" Signal Feedthrough (Figures 13, 15, 17)	See Figure 7 Notes 10, 11	4051	-2.25	2.25	-73	dB
		4052			-65	dB
		4053			-64	dB
		4051	-4.5	4.5	-75	dB
		4052			-67	dB
		4053			-66	dB

NOTES:

9. Adjust input voltage to obtain 0dBm at V_{OS} for $f_{IN} = 1\text{MHz}$.
10. V_{IS} is centered at $(V_{CC} - V_{EE})/2$.
11. Adjust input for 0dBm.
12. Not applicable for HC/HCT4051.

Test Circuits and Waveforms

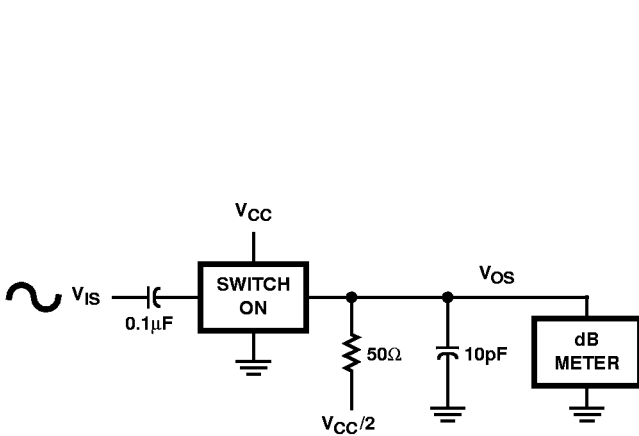


FIGURE 3. FREQUENCY RESPONSE TEST CIRCUIT

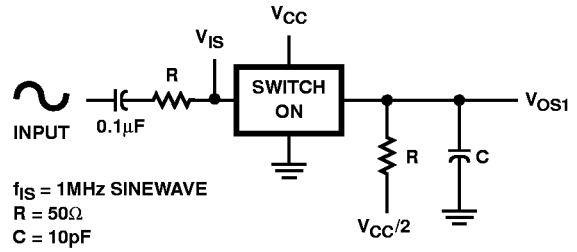


FIGURE 4. CROSSTALK BETWEEN TWO SWITCHES TEST CIRCUIT

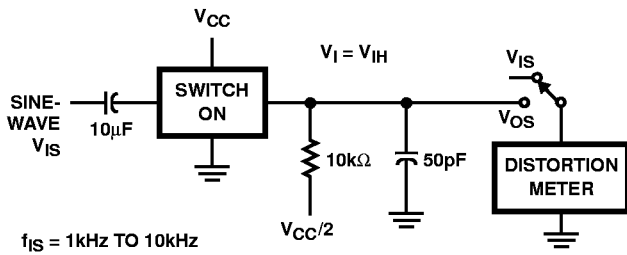


FIGURE 5. SINEWAVE DISTORTION TEST CIRCUIT

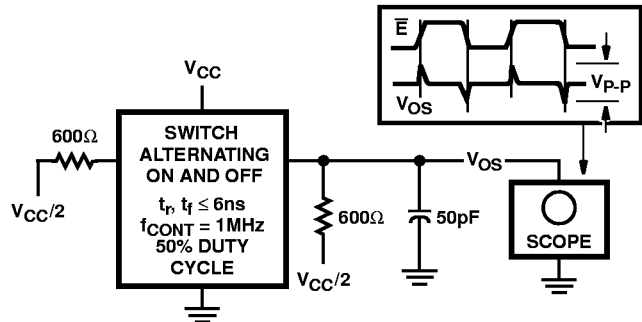


FIGURE 6. CONTROL TO SWITCH FEEDTHROUGH NOISE TEST CIRCUIT

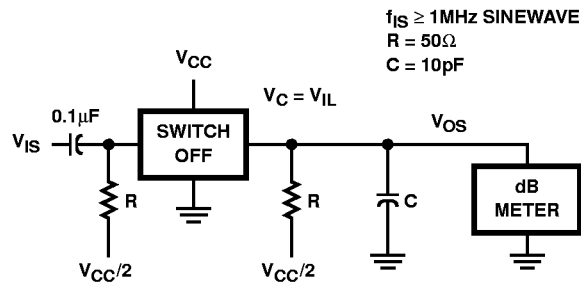


FIGURE 7. SWITCH OFF SIGNAL FEEDTHROUGH

Test Circuits and Waveforms (Continued)

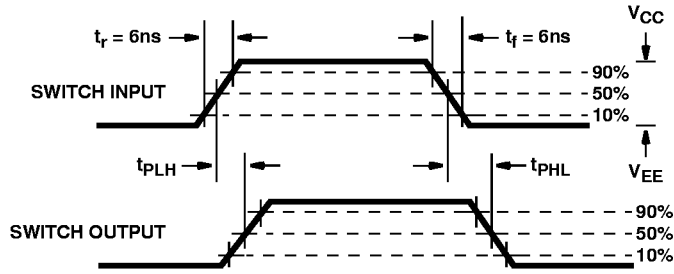


FIGURE 8A.

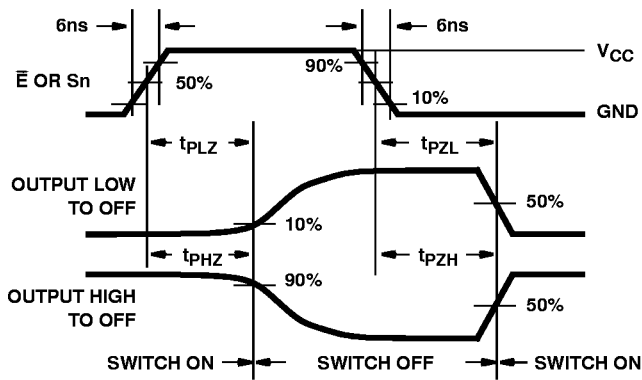


FIGURE 8B. HC TYPES

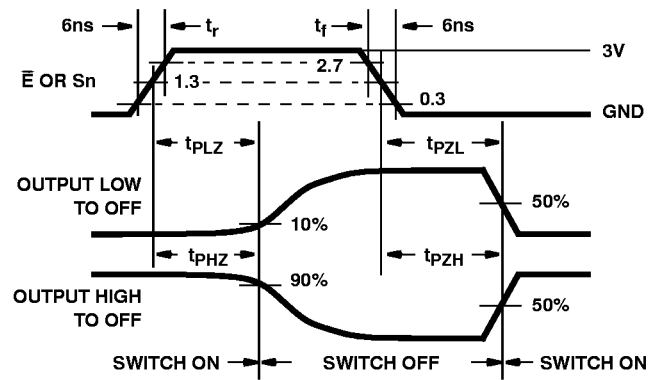


FIGURE 8C. HCT TYPES

FIGURE 8. SWITCH PROPAGATION DELAY, TURN-ON, TURN-OFF TIMES

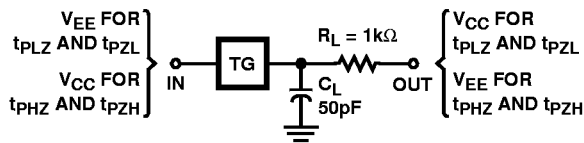


FIGURE 9. SWITCH ON/OFF PROPAGATION DELAY TEST CIRCUIT

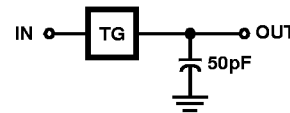


FIGURE 10. SWITCH IN TO SWITCH OUT PROPAGATION DELAY TEST CIRCUIT

Typical Performance Curves

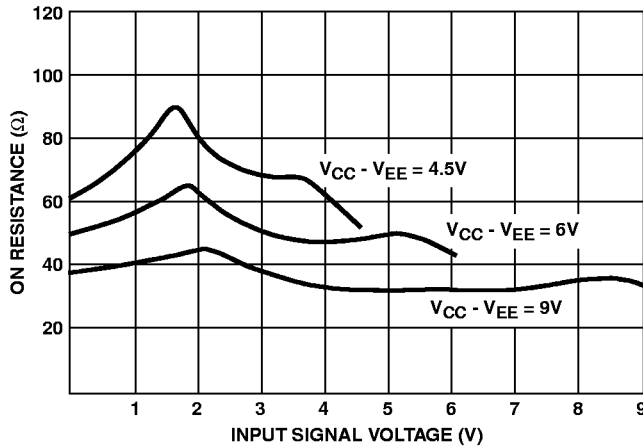


FIGURE 11. TYPICAL ON RESISTANCE vs INPUT SIGNAL VOLTAGE

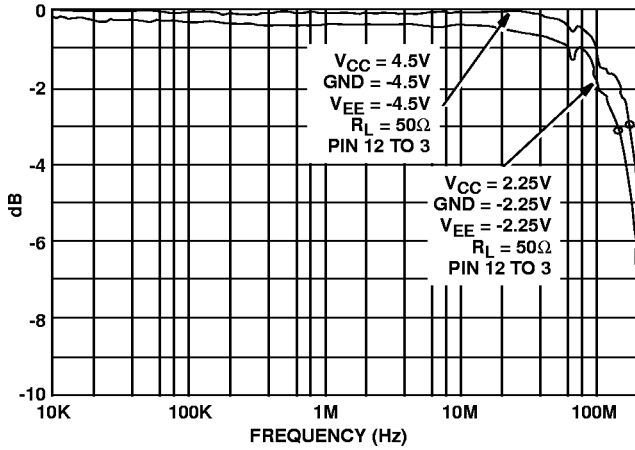


FIGURE 12. CHANNEL ON BANDWIDTH (HC/HCT4051)

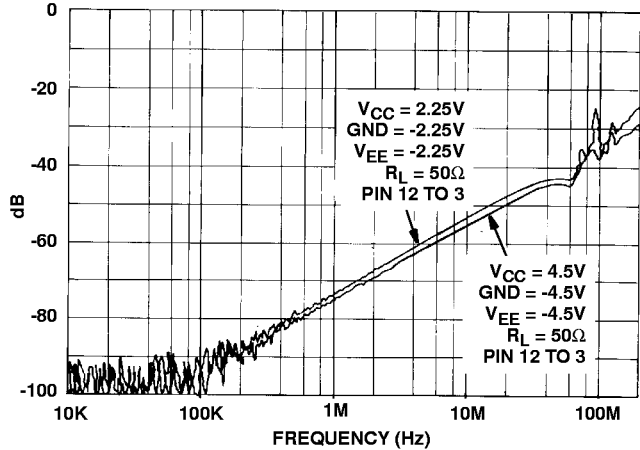


FIGURE 13. CHANNEL OFF FEEDTHROUGH (HC/HCT4051)

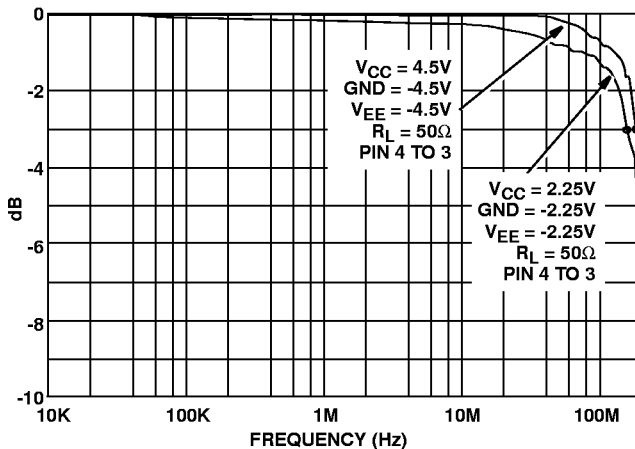


FIGURE 14. CHANNEL ON BANDWIDTH (HC/HCT4052)

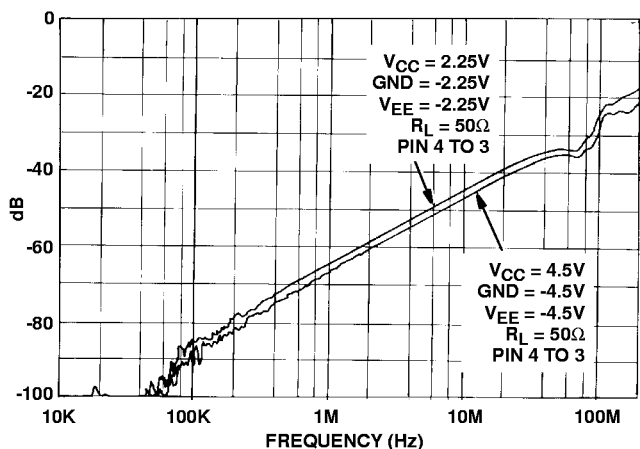


FIGURE 15. CHANNEL OFF FEEDTHROUGH (HC/HCT4052)

Typical Performance Curves (Continued)

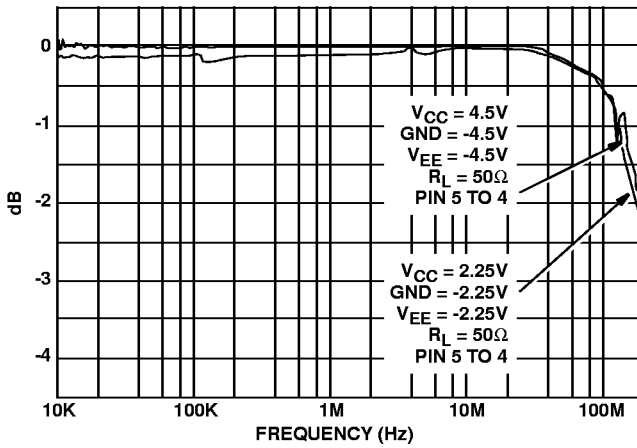


FIGURE 16. CHANNEL ON BANDWIDTH (HC/HCT4053)

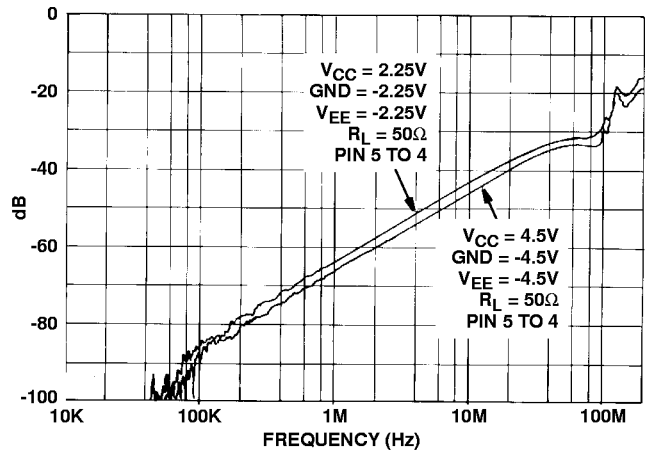


FIGURE 17. CHANNEL OFF FEEDTHROUGH (HC/HCT4053)