

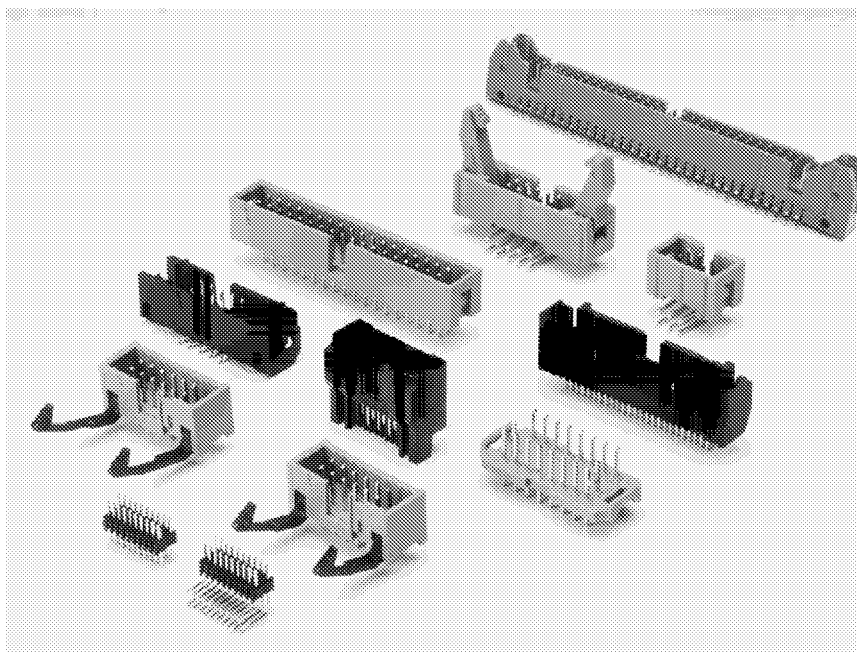
PRODUCT DESCRIPTION

PCB Male Headers provide reliability, convenience and positive polarization when mated with Female Socket Transition Connectors in PC board applications which require repeated connection and disconnection. Optional retainer-ejector latches easily disengage the header and female socket, eliminating stress in the cable termination and solder joint areas during disconnect.

DESIGN ADVANTAGES

- Industry standard polarization mates with center bump as well as dual slot polarized female socket connectors.
- Available in .050 x .100, .100 x .100, .100 x .200 and .100 x .300 center spacing.
- Available in standard, low profile, vertical eject, compliant pin and surface mount configurations.
- Available in high temperature materials.

HEADERS



HEADER INDEX

.050" x .100" 2-Row Straight Tail	14
.050" x .100" 2-Row Right Angle Tails	16
.050" x .100" 4-Row Right Angle Tails	18
.050" x .100" 2-Row Unshrouded Header, Straight	20
.050" x .100" 2-Row Unshrouded Header, Right Angle	21
.100" x .100" Straight Standard Header	22
.100" x .100" Right Angle Standard Header	23
.100" x .100" High Temp. Straight Standard Header	24
.100" x .100" High Temp. Right Angle Standard Header	25
.100" x .100" Low Profile Straight w/ejectors	26
.100" x .100" Low Profile Right Angle w/ejectors	27
.100" x .100" Low Profile Straight	28
.100" x .100" Low Profile Right Angle	29
.100" x .100" Low Profile Straight, High Temp.	30
.100" x .100" Low Profile Right Angle, High Temp.	31
.100" x .100" Low Profile Straight w/latches	32
.100" x .100" Low Profile Right Angle w/latches	33
.100" x .100" Flex-Fit™ with Retainer/Ejector	34
.100" x .100" Flex-Fit™ Low Profile	35
.100" x .100" Surface Mount	36
Pin Strip Headers, Single Row Straight	37
Pin Strip Headers, Single Row Right Angle	38
Pin Strip Headers, Dual Row Straight	39
Pin Strip Headers, Dual Row Right Angle	40
Dip Socket Headers, 14 and 16 Positions	41
Accessories.....	42



STRAIGHT STANDARD HEADERS WITH AND WITHOUT RETAINER/EJECTOR LATCHES

.100" x .100" CENTERS



LR92984 E60980

PHYSICAL PROPERTIES

INSULATION MATERIAL: Glass filled thermoplastic rated UL 94V-0
 COLOR: Blue
 CONTACT MATERIAL: Phosphor bronze with 30µ inches min. gold over 50µ inches min. nickel plating

ELECTRICAL PROPERTIES

CURRENT RATING: 1 Amp
 INSULATION RESISTANCE: >1 x 10⁹ Ohms @500 VDC
 DIELECTRIC STRENGTH: >1000 VRMS @sea level

ENVIRONMENTAL PROPERTIES

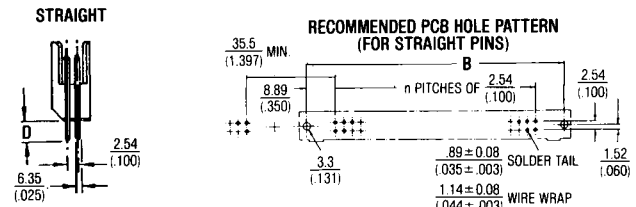
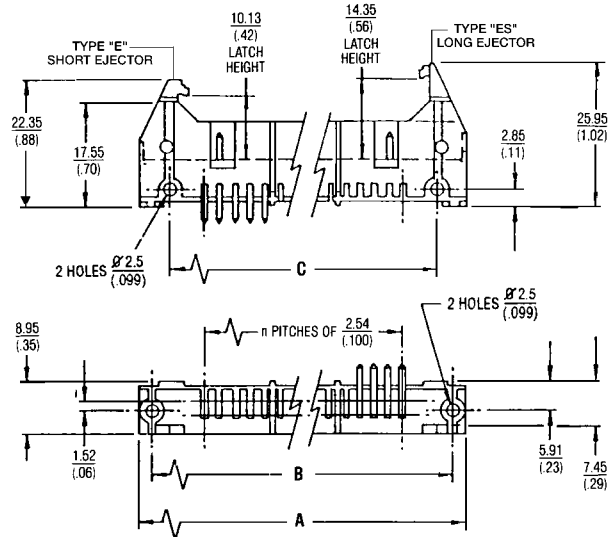
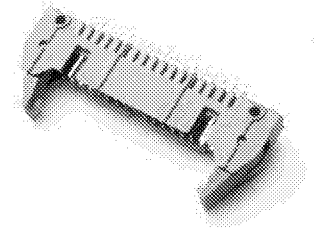
TEMPERATURE RATING: -55°C TO 125°C

MATING CONNECTORS

FEMALE SOCKETS: See pages 8-10

ACCESSORIES

POLARIZING KEY: See page 42



Ordering Information

PCB 1.57MM (.062) D=2.9MM (.114) STRAIGHT	CATALOG NUMBERS		WIREWRAP D=15.5MM (.610) STRAIGHT	NO. OF POS.	DIMENSIONS IN MM (INCHES)		
	PCB 3.18 MM (.125) D=4.48MM (.176) STRAIGHT				A	B	C
609-0624	609-0634	609-0654	6	27.05 (1.07)	22.86 (.90)	16.76 (.66)	
609-1024	609-1034	609-1054	10	32.13 (1.26)	27.94 (1.10)	21.64 (.85)	
609-1224	609-1234	609-1254	12	34.64 (1.36)	30.48 (1.20)	24.38 (.96)	
609-1424	609-1434	609-1454	14	37.21 (1.46)	33.02 (1.30)	26.92 (1.06)	
609-1624	609-1634	609-1654	16	39.75 (1.56)	35.56 (1.40)	29.46 (1.16)	
609-2024	609-2034	609-2054	20	44.83 (1.76)	40.64 (1.60)	34.54 (1.36)	
609-2424	609-2434	609-2454	24	49.88 (1.96)	45.72 (1.80)	39.62 (1.56)	
609-2624	609-2634	609-2654	26	52.45 (2.06)	48.26 (1.90)	42.16 (1.66)	
609-3024	609-3034	609-3054	30	57.50 (2.26)	53.34 (2.10)	47.26 (1.86)	
609-3424	609-3434	609-3454	34	62.61 (2.46)	58.42 (2.30)	52.32 (2.06)	
609-3624	609-3634	609-3654	36	65.12 (2.56)	60.96 (2.40)	54.86 (2.16)	
609-4024	609-4034	609-4054	40	70.23 (2.76)	66.04 (2.60)	59.94 (2.36)	
609-4424	609-4434	609-4454	44	75.31 (2.96)	71.12 (2.80)	65.02 (2.56)	
609-5024	609-5034	609-5054	50	82.93 (3.26)	78.74 (3.10)	72.64 (2.86)	
609-6024	609-6034	609-6054	60	95.63 (3.76)	91.44 (3.60)	85.35 (3.36)	
609-6424	609-6434	609-6454	64	100.71 (3.96)	96.52 (3.80)	90.42 (3.56)	

For long ejectors, add suffix ES (609-XXXXES). For short ejectors, add suffix E (609-XXXXE)
 Add "R" to part number for PCB retention feature.

RIGHT ANGLE STANDARD HEADERS WITH AND WITHOUT RETAINER/EJECTOR LATCHES

.100" x .100" CENTERS



PHYSICAL PROPERTIES

INSULATION MATERIAL: Glass filled thermoplastic rated UL 94V-0
 COLOR: Blue
 CONTACT MATERIAL: Phosphor bronze with 30µ inches min. gold over 50µ inches min. nickel plating

ELECTRICAL PROPERTIES

CURRENT RATING: 1 Amp
 INSULATION RESISTANCE: >1 x 10⁹ Ohms @500 VDC
 DIELECTRIC STRENGTH: >1000 VRMS @ sea level

ENVIRONMENTAL PROPERTIES

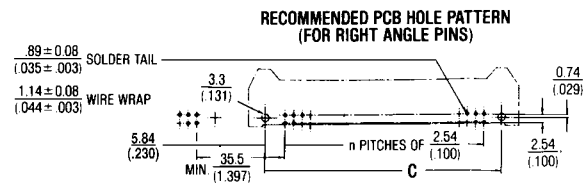
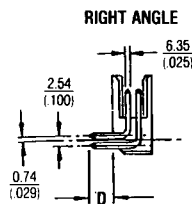
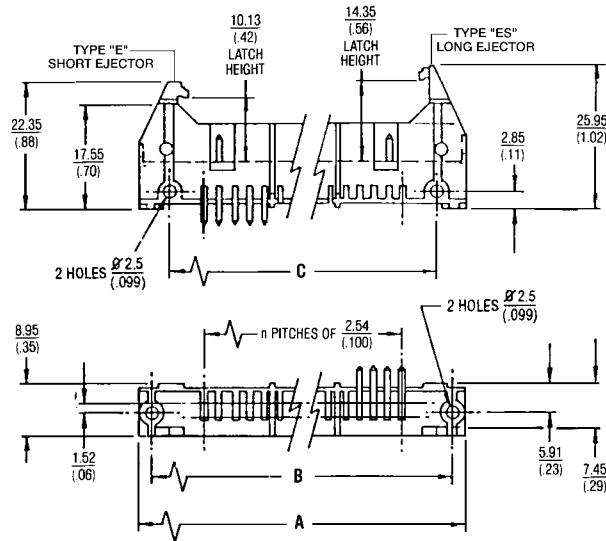
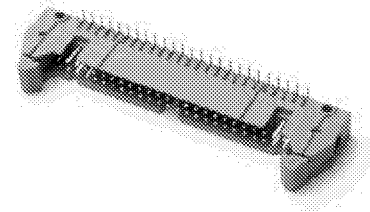
TEMPERATURE RATING: -55°C TO 125°C

MATING CONNECTORS

FEMALE SOCKETS: See pages 8-10

ACCESSORIES

POLARIZING KEY: See page 42



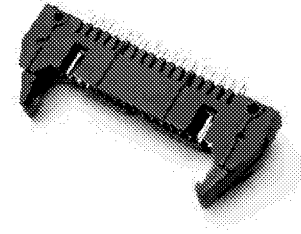
Ordering Information

PCB 1.57MM (.062) D=2.9MM (.114) RIGHT ANGLE	CATALOG NUMBERS		WIREWRAP D=15.5MM (.610) RIGHT ANGLE	NO. OF POS.	DIMENSIONS IN MM (INCHES)		
	PCB 3.18 MM (.125) D=4.48MM (.176) RIGHT ANGLE				A	B	C
609-0604	609-0614		609-0644	6	27.05 (1.07)	22.86 (.90)	16.76 (.66)
609-1004	609-1014		609-1044	10	32.13 (1.26)	27.94 (1.10)	21.64 (.85)
609-1204	609-1214		609-1244	12	34.64 (1.36)	30.48 (1.20)	24.38 (.96)
609-1404	609-1414		609-1444	14	37.21 (1.46)	33.02 (1.30)	26.92 (1.06)
609-1604	609-1614		609-1644	16	39.75 (1.56)	35.56 (1.40)	29.46 (1.16)
609-2004	609-2014		609-2044	20	44.83 (1.76)	40.64 (1.60)	34.54 (1.36)
609-2404	609-2414		609-2444	24	49.88 (1.96)	45.72 (1.80)	39.62 (1.56)
609-2604	609-2614		609-2644	26	52.45 (2.06)	48.26 (1.90)	42.16 (1.66)
609-3004	609-3014		609-3044	30	57.50 (2.26)	53.34 (2.10)	47.26 (1.86)
609-3404	609-3414		609-3444	34	62.61 (2.46)	58.42 (2.30)	52.32 (2.06)
609-3604	609-3614		609-3644	36	65.12 (2.56)	60.96 (2.40)	54.86 (2.16)
609-4004	609-4014		609-4044	40	70.23 (2.76)	66.04 (2.60)	59.94 (2.36)
609-4404	609-4414		609-4444	44	75.31 (2.96)	71.12 (2.80)	65.02 (2.56)
609-5004	609-5014		609-5044	50	82.93 (3.26)	78.74 (3.10)	72.64 (2.86)
609-6004	609-6014		609-6044	60	95.63 (3.76)	91.44 (3.60)	85.35 (3.36)
609-6404	609-6414		609-6444	64	100.71 (3.96)	96.52 (3.80)	90.42 (3.56)

For long ejectors, add suffix ES (609-XXXXES). For short ejectors, add suffix E (609-XXXXE)
 Add "R" to part number for PCB retention feature.

HIGH TEMPERATURE STRAIGHT STANDARD HEADERS WITH AND WITHOUT RETAINER/EJECTOR LATCHES

.100" x .100" CENTERS



LR92984 E60980

PHYSICAL PROPERTIES

INSULATION MATERIAL: Glass filled thermoplastic rated UL 94V-0, Infrared and vapor phase process compatible
 COLOR: Black
 CONTACT MATERIAL: Phosphor bronze with 30µ inches min. gold over 50µ inches min. nickel plating

ELECTRICAL PROPERTIES

CURRENT RATING: 1 Amp
 INSULATION RESISTANCE: >1 x 10⁹ Ohms @500 VDC
 DIELECTRIC STRENGTH: >1000 VRMS @ sea level

ENVIRONMENTAL PROPERTIES

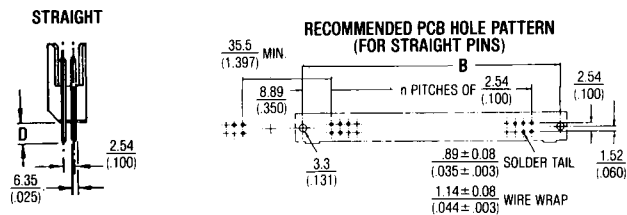
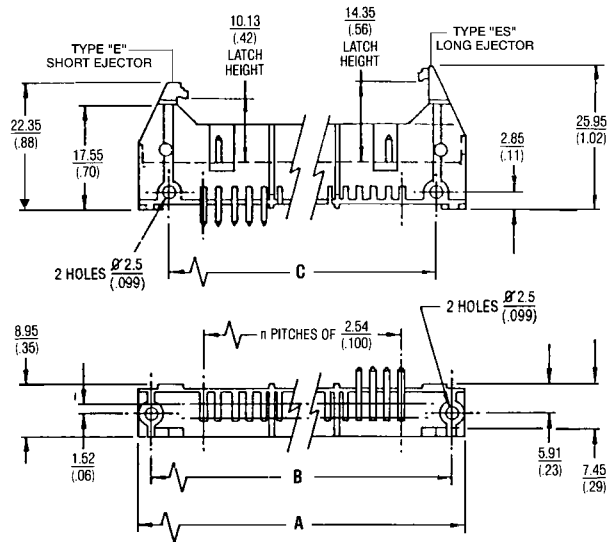
TEMPERATURE RATING: -55°C TO 125°C

MATING CONNECTORS

FEMALE SOCKETS: See pages 8-10

ACCESSORIES

POLARIZING KEY: See page 42



Ordering Information

PCB 1.57MM (.062) D=2.9MM (.114) STRAIGHT	CATALOG NUMBERS PCB 3.18MM (.125) D=4.48MM (.176) STRAIGHT	WIREWRAP D=15.5MM (.610) STRAIGHT	NO. OF POS.	DIMENSIONS IN MM (INCHES)		
				A	B	C
609-0624**HT	609-0634**HT	609-0654**HT	6	27.05 (1.07)	22.86 (.90)	16.76 (.66)
609-1024**HT	609-1034**HT	609-1054**HT	10	32.13 (1.26)	27.94 (1.10)	21.64 (.85)
609-1224**HT	609-1234**HT	609-1254**HT	12	34.64 (1.36)	30.48 (1.20)	24.38 (.96)
609-1424**HT	609-1434**HT	609-1454**HT	14	37.21 (1.46)	33.02 (1.30)	26.92 (1.06)
609-1624**HT	609-1634**HT	609-1654**HT	16	39.75 (1.56)	35.56 (1.40)	29.46 (1.16)
609-2024**HT	609-2034**HT	609-2054**HT	20	44.83 (1.76)	40.64 (1.60)	34.54 (1.36)
609-2424**HT	609-2434**HT	609-2454**HT	24	49.88 (1.96)	45.72 (1.80)	39.62 (1.56)
609-2624**HT	609-2634**HT	609-2654**HT	26	52.45 (2.06)	48.26 (1.90)	42.16 (1.66)
609-3024**HT	609-3034**HT	609-3054**HT	30	57.50 (2.26)	53.34 (2.10)	47.26 (1.86)
609-3424**HT	609-3434**HT	609-3454**HT	34	62.61 (2.46)	58.42 (2.30)	52.32 (2.06)
609-3624**HT	609-3634**HT	609-3654**HT	36	65.12 (2.56)	60.96 (2.40)	54.86 (2.16)
609-4024**HT	609-4034**HT	609-4054**HT	40	70.23 (2.76)	66.04 (2.60)	59.94 (2.36)
609-4424**HT	609-4434**HT	609-4454**HT	44	75.31 (2.96)	71.12 (2.80)	65.02 (2.56)
609-5024**HT	609-5034**HT	609-5054**HT	50	82.93 (3.26)	78.74 (3.10)	72.64 (2.86)
609-6024**HT	609-6034**HT	609-6054**HT	60	95.63 (3.76)	91.44 (3.60)	85.35 (3.36)
609-6424**HT	609-6434**HT	609-6454**HT	64	100.71 (3.96)	96.52 (3.80)	90.42 (3.56)

** For long ejectors, add ES (609-XXXESHT). For short ejectors, add E (609-XXXEHT)
 Add "R" suffix to part number for PCB retention feature.

HIGH TEMPERATURE RIGHT ANGLE STANDARD HEADERS WITH AND WITHOUT RETAINER/EJECTOR LATCHES

.100" x .100" CENTERS



PHYSICAL PROPERTIES

INSULATION MATERIAL: Glass filled thermoplastic rated UL 94V-0, Infrared and vapor phase process compatible
 COLOR: Black
 CONTACT MATERIAL: Phosphor bronze with 30µ inches min. gold over 50µ inches min. nickel plating

ELECTRICAL PROPERTIES

CURRENT RATING: 1 Amp
 INSULATION RESISTANCE: >1 x 10⁹ Ohms @500 VDC
 DIELECTRIC STRENGTH: >1000 VRMS @ sea level

ENVIRONMENTAL PROPERTIES

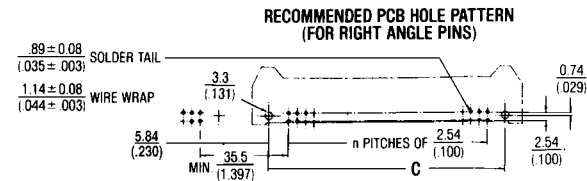
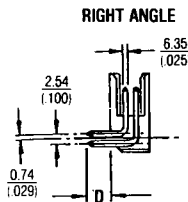
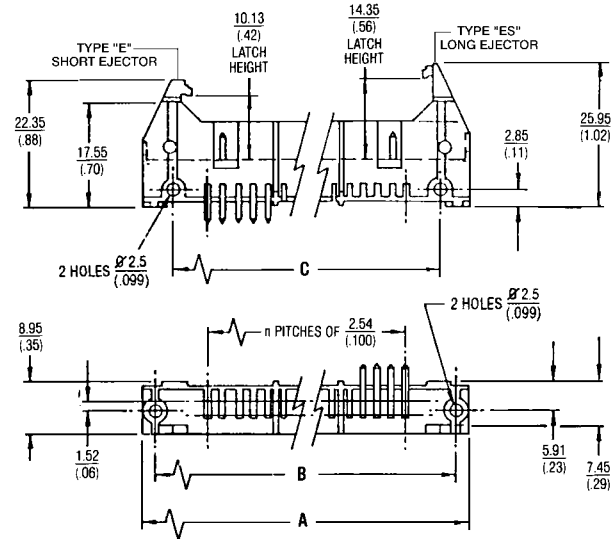
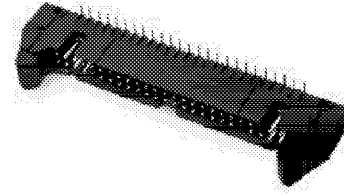
TEMPERATURE RATING: -55°C TO 125°C

MATING CONNECTORS

FEMALE SOCKETS: See pages 8-10

ACCESSORIES

POLARIZING KEY: See page 42



Ordering Information

PCB 1.57MM (.062) D=2.9MM (.114) RIGHT ANGLE	CATALOG NUMBERS		WIREWRAP D=15.5MM (.610) RIGHT ANGLE	NO. OF POS.	DIMENSIONS IN MM (INCHES)		
	PCB 3.18 MM (.125) D=4.48MM (.176) RIGHT ANGLE				A	B	C
609-0604**HT	609-0614**HT		609-0644**HT	6	27.05 (1.07)	22.86 (.90)	16.76 (.66)
609-1004**HT	609-1014**HT		609-1044**HT	10	32.13 (1.26)	27.94 (1.10)	21.64 (.85)
609-1204**HT	609-1214**HT		609-1244**HT	12	34.64 (1.36)	30.48 (1.20)	24.38 (.96)
609-1404**HT	609-1414**HT		609-1444**HT	14	37.21 (1.46)	33.02 (1.30)	26.92 (1.06)
609-1604**HT	609-1614**HT		609-1644**HT	16	39.75 (1.56)	35.56 (1.40)	29.46 (1.16)
609-2004**HT	609-2014**HT		609-2044**HT	20	44.83 (1.76)	40.64 (1.60)	34.54 (1.36)
609-2404**HT	609-2414**HT		609-2444**HT	24	49.88 (1.96)	45.72 (1.80)	39.62 (1.56)
609-2604**HT	609-2614**HT		609-2644**HT	26	52.45 (2.06)	48.26 (1.90)	42.16 (1.66)
609-3004**HT	609-3014**HT		609-3044**HT	30	57.50 (2.26)	53.34 (2.10)	47.26 (1.86)
609-3404**HT	609-3414**HT		609-3444**HT	34	62.61 (2.46)	58.42 (2.30)	52.32 (2.06)
609-3604**HT	609-3614**HT		609-3644**HT	36	65.12 (2.56)	60.96 (2.40)	54.86 (2.16)
609-4004**HT	609-4014**HT		609-4044**HT	40	70.23 (2.76)	66.04 (2.60)	59.94 (2.36)
609-4404**HT	609-4414**HT		609-4444**HT	44	75.31 (2.96)	71.12 (2.80)	65.02 (2.56)
609-5004**HT	609-5014**HT		609-5044**HT	50	82.93 (3.26)	78.74 (3.10)	72.64 (2.86)
609-6004**HT	609-6014**HT		609-6044**HT	60	95.63 (3.76)	91.44 (3.60)	85.35 (3.36)
609-6404**HT	609-6414**HT		609-6444**HT	64	100.71 (3.96)	96.52 (3.80)	90.42 (3.56)

** For long ejectors, add ES (609-XXXESHT). For short ejectors, add E (609-XXXEHT)
 Add "R" suffix to part number for PCB retention feature.

LOW PROFILE HEADERS STRAIGHT PINS WITH RETAINER/EJECTOR LATCHES

.100" x .100" CENTERS



LR92984 E60980

PHYSICAL PROPERTIES

INSULATION MATERIAL: Glass filled thermoplastic rated UL 94V-0

COLOR: Blue

CONTACT MATERIAL: Phosphor bronze with 30µ inches min. gold over 50µ inches min. nickel in contact zone; tin/lead over nickel in termination area.

ELECTRICAL PROPERTIES

CURRENT RATING: 1 Amp

INSULATION RESISTANCE: >1 x 10⁹ Ohms @ 500 VDC

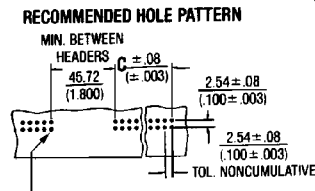
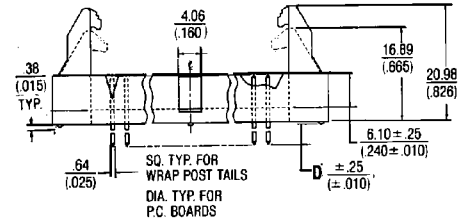
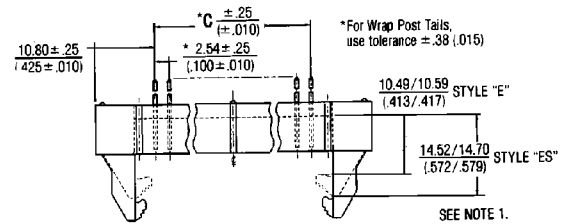
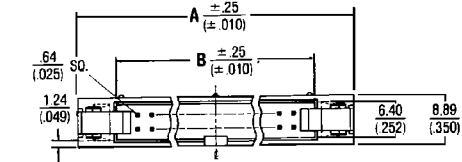
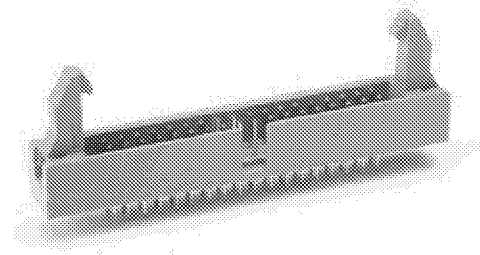
DIELECTRIC STRENGTH: >1000 VRMS @ sea level

ENVIRONMENTAL PROPERTIES

TEMPERATURE RATING: -55°C TO 125°C

MATING CONNECTORS

FEMALE SOCKETS: See pages 8-10



HOLE DIA. ±.08 (±.003) AFTER PLATING	TYPE OF CONTACT
.89 (.035)	PCB Solder Tails
1.14 (.045)	Wrap Post Tails

Ordering Information

CATALOG NUMBERS			NO. OF POS.	DIMENSIONS IN MM (INCHES)		
DIMENSIONS "D" IN MM (INCHES)				A	B	C
2.59 (.102) FOR 1.57 (.062) P.C. BOARDS	4.19 (.165) FOR 3.18 (.125) P.C. BOARDS	15.49 (.610) WRAP POST TAILS				
609-0827XX	609-0837XX	609-0857XX	8	29.21 (1.150)	15.24 (.600)	7.26 (.300)
609-1027XX	609-1037XX	609-1057XX	10	31.75 (1.250)	17.78 (.700)	10.16 (.400)
609-1227XX	609-1237XX	609-1257XX	12	34.29 (1.350)	20.32 (.800)	17.70 (.500)
609-1427XX	609-1437XX	609-1457XX	14	36.83 (1.450)	22.86 (.900)	15.24 (.600)
609-1627XX	609-1637XX	609-1657XX	16	39.37 (1.550)	25.40 (1.000)	17.78 (.700)
609-2027XX	609-2037XX	609-2057XX	20	44.45 (1.750)	30.48 (1.200)	22.86 (.900)
609-2427XX	609-2437XX	609-2457XX	24	49.53 (1.950)	35.55 (1.400)	27.94 (1.100)
609-2627XX	609-2637XX	609-2657XX	26	52.07 (2.050)	38.10 (1.500)	30.48 (1.200)
609-3027XX	609-3037XX	609-3057XX	30	57.15 (2.250)	43.18 (1.700)	35.56 (1.400)
609-3427XX	609-3437XX	609-3457XX	34	62.23 (2.450)	48.26 (1.900)	40.64 (1.600)
609-3627XX	609-3637XX	609-3657XX	36	64.77 (2.550)	50.80 (2.000)	43.18 (1.700)
609-4027XX	609-4037XX	609-4057XX	40	69.85 (2.750)	55.88 (2.200)	48.26 (1.900)
609-4427XX	609-4437XX	609-4457XX	44	74.93 (2.950)	60.96 (2.400)	53.34 (2.100)
609-5027XX	609-5037XX	609-5057XX	50	82.55 (3.250)	68.58 (2.700)	60.96 (2.400)
609-5627XX	609-5637XX	609-5657XX	56	90.17 (3.550)	76.20 (3.000)	68.58 (2.700)
609-6027XX	609-6037XX	609-6057XX	60	95.25 (3.750)	81.28 (3.200)	73.66 (2.900)
609-6427XX	609-6437XX	609-6457XX	64	100.33 (3.950)	86.36 (3.400)	78.74 (3.100)

1. For long ejectors, add suffix ES (-XXXES). For short ejectors, add suffix E (-XXXE)

2. Add "R" to part number for PCB retention feature.

LOW PROFILE HEADERS RIGHT ANGLE PINS WITH RETAINER/EJECTOR LATCHES

.100" x .100" CENTERS



LR92984 E60980

PHYSICAL PROPERTIES

INSULATION MATERIAL: Glass filled thermoplastic rated UL 94V-0

COLOR: Blue

CONTACT MATERIAL: Phosphor bronze with 30µ inches min. gold over 50µ inches min. nickel in contact zone; tin/lead over nickel in termination area.

ELECTRICAL PROPERTIES

CURRENT RATING: 1 Amp

INSULATION RESISTANCE: >1 x 10⁹ Ohms @ 500 VDC

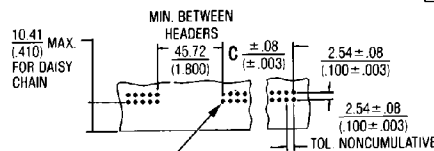
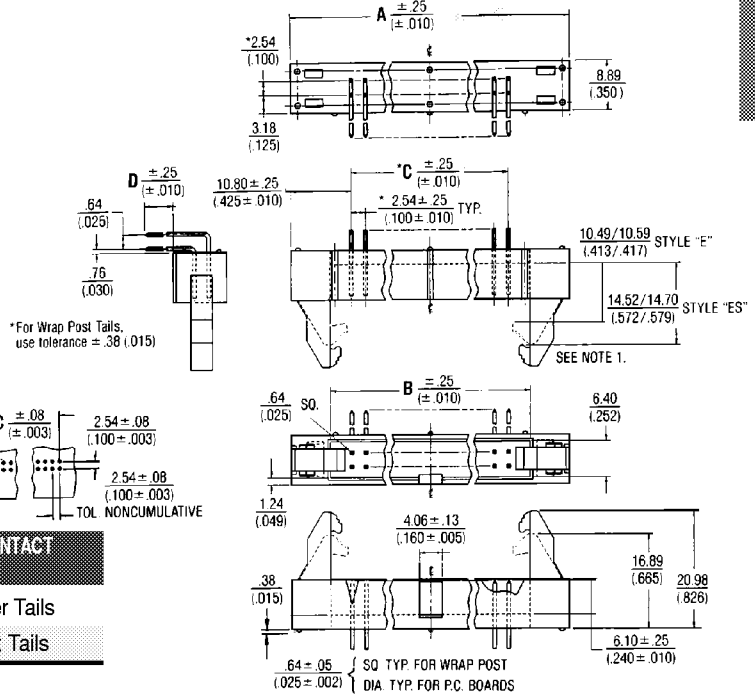
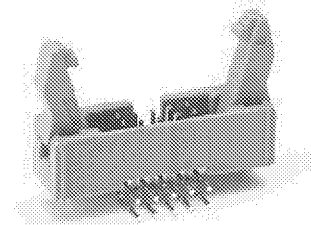
DIELECTRIC STRENGTH: >1000 VRMS @ sea level

ENVIRONMENTAL PROPERTIES

TEMPERATURE RATING: -55°C TO 125°C

MATING CONNECTORS

FEMALE SOCKETS: See pages 8-10



HOLE DIA. ±.08 (±.003) AFTER PLATING	TYPE OF CONTACT
.89 (.035)	PCB Solder Tails
1.14 (.045)	Wrap Post Tails

Ordering Information

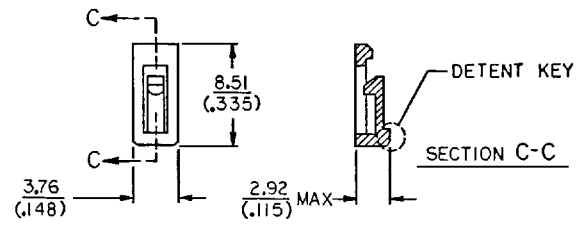
CATALOG NUMBERS			NO. OF POS.	DIMENSIONS IN MM (INCHES)		
DIMENSIONS 'D' IN MM (INCHES)				A	B	C
2.59 (.102)	4.19 (.165)	15.49 (.610)	8	29.21 (1.150)	15.24 (.600)	7.26 (.300)
1.57 (.062)	3.18 (.125)	WRAP POST				
P.C. BOARDS	P.C. BOARDS	TAILS				
609-0807XX	609-0817XX	609-0847XX	8	29.21 (1.150)	15.24 (.600)	7.26 (.300)
609-1007XX	609-1017XX	609-1047XX	10	31.75 (1.250)	17.78 (.700)	10.16 (.400)
609-1207XX	609-1217XX	609-1247XX	12	34.29 (1.350)	20.32 (.800)	17.70 (.500)
609-1407XX	609-1417XX	609-1447XX	14	36.83 (1.450)	22.86 (.900)	15.24 (.600)
609-1607XX	609-1617XX	609-1647XX	16	39.37 (1.550)	25.40 (1.000)	17.78 (.700)
609-2007XX	609-2017XX	609-2047XX	20	44.45 (1.750)	30.48 (1.200)	22.86 (.900)
609-2407XX	609-2417XX	609-2447XX	24	49.53 (1.950)	35.55 (1.400)	27.94 (1.100)
609-2607XX	609-2617XX	609-2647XX	26	52.07 (2.050)	38.10 (1.500)	30.48 (1.200)
609-3007XX	609-3017XX	609-3047XX	30	57.15 (2.250)	43.18 (1.700)	35.56 (1.400)
609-3407XX	609-3417XX	609-3447XX	34	62.23 (2.450)	48.26 (1.900)	40.64 (1.600)
609-3607XX	609-3617XX	609-3647XX	36	64.77 (2.550)	50.80 (2.000)	43.18 (1.700)
609-4007XX	609-4017XX	609-4047XX	40	69.85 (2.750)	55.88 (2.200)	48.26 (1.900)
609-4407XX	609-4417XX	609-4447XX	44	74.93 (2.950)	60.96 (2.400)	53.34 (2.100)
609-5007XX	609-5017XX	609-5047XX	50	82.55 (3.250)	68.58 (2.700)	60.96 (2.400)
609-5607XX	609-5617XX	609-5647XX	56	90.17 (3.550)	76.20 (3.000)	68.58 (2.700)
609-6007XX	609-6017XX	609-6047XX	60	95.25 (3.750)	81.28 (3.200)	73.66 (2.900)
609-6407XX	609-6417XX	609-6447XX	64	100.33 (3.950)	86.36 (3.400)	78.74 (3.100)

- For long ejectors, add suffix ES (-XXXES). For short ejectors, add suffix E (-XXXE)
- Add "R" to part number for PCB retention feature.

ACCESSORIES

POLARIZING KEY ORDERING INFORMATION

CATALOG NUMBER	COLOR/DESCRIPTION
622-0056P	Blue
636-0056P	Black



Polarizing Key