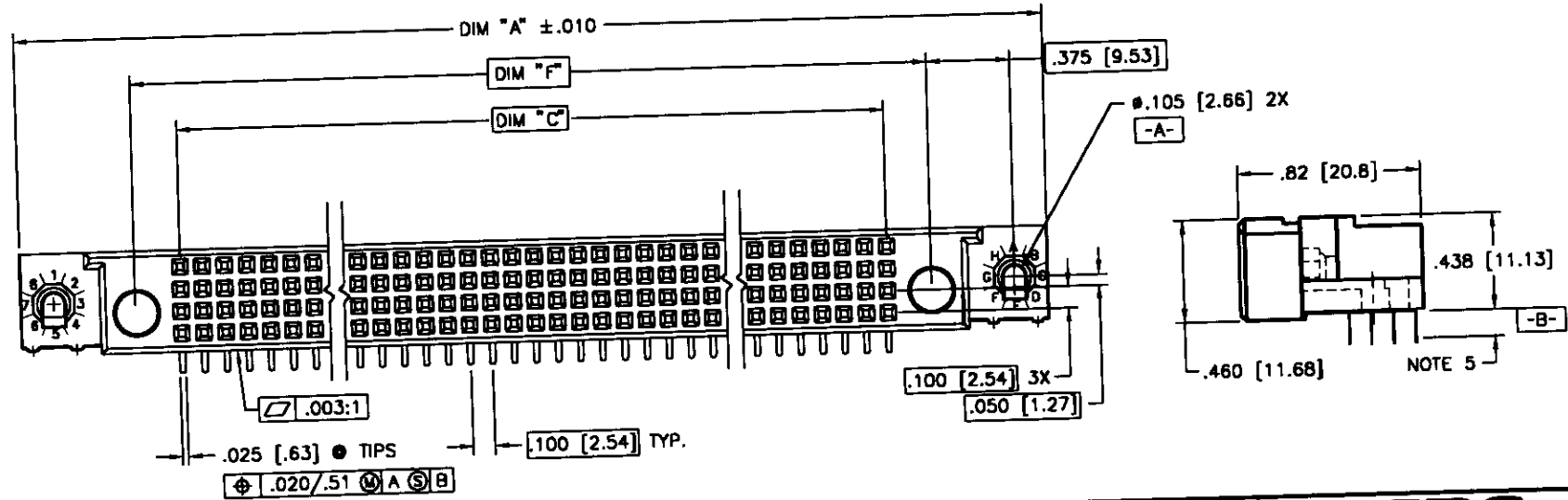
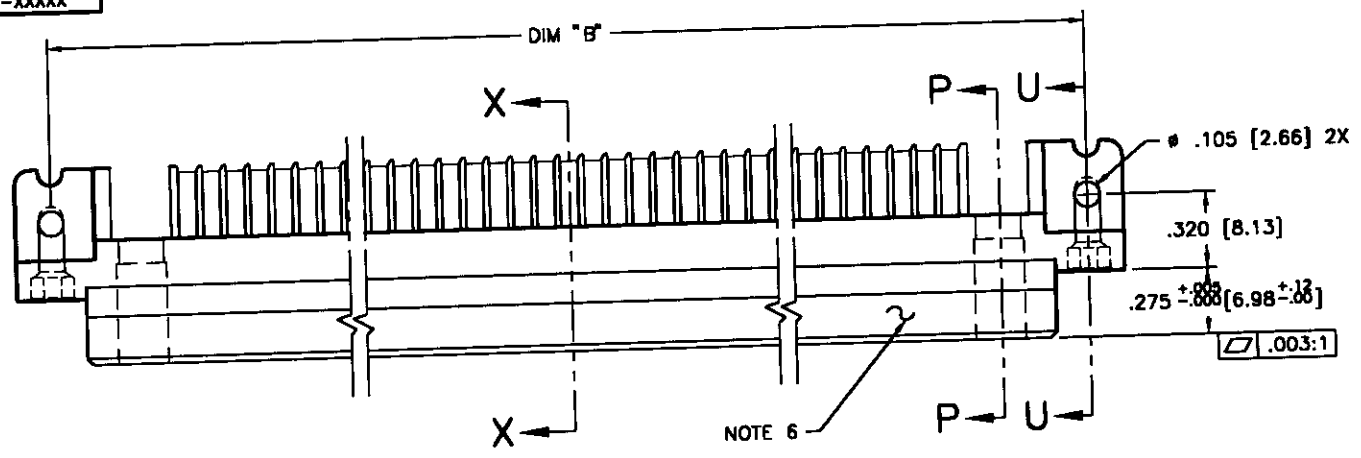


Tous droits strictement réservés. Reproduction ou communication à des tiers interdite sous quelque forme que ce soit sans autorisation écrite du propriétaire. Droits de reproduction BERG ELECTRONICS INC. Propriété de © BERG ELECTRONICS.



All rights strictly reserved. Reproduction or issue to third parties in any form without written authority from the proprietor. Copyright BERG ELECTRONICS INC. Property of © BERG ELECTRONICS

PRODUCT NUMBER
50819-XXXXX

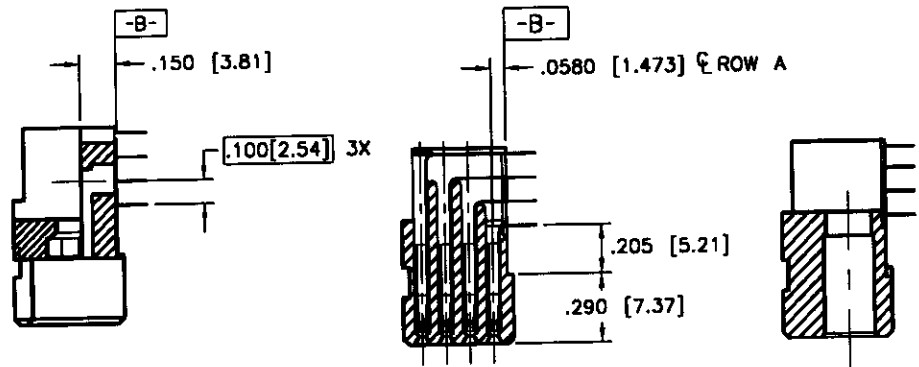


mot'l. code NOTE 3				tolerances unless otherwise specified		CUSTOMER COPY		BERG ELECTRONICS	
ltr	ecr no	dr	date	linear	.XX $\pm .01$	projection	title	4 ROW, R/A REcpt.	
A	V41775	GIP	11/8/94		.XXX $\pm .005$			ASSEMBLY, w/2 PORTS	
B	V60850	GIP	5/28/96	angles	.XXX $\pm .0020$	IN/mm	product family	HPC	
				$\sigma' \pm 2'$				size	dwg no
				dr	G. PETERS 11/8/94	scale	A		
				engr	S. CLARK 11/9/94			1:1	sheet
				chr	S. CLARK 11/9/94	1 of 2			coge code
				appd	S. CLARK 11/9/94	22526		4	
sheet index	revision sheet	B 1	B 2						

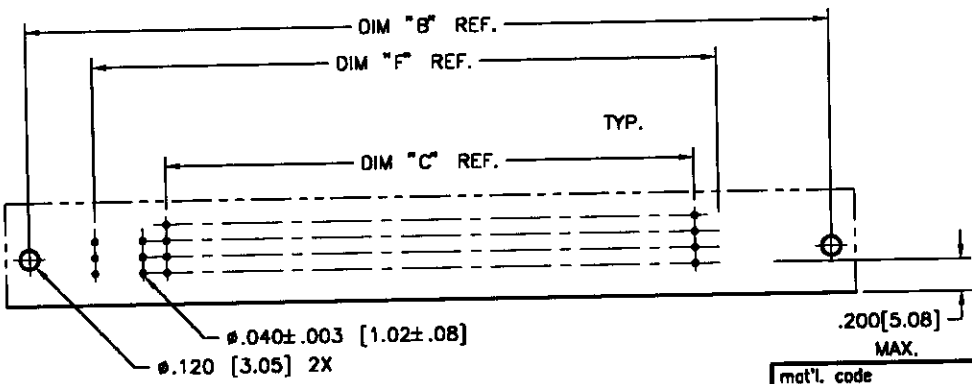
Tous droits strictement réservés. Reproduction ou communication o des tiers interdite sans quelque forme que ce soit sans autorisation écrite du propriétaire.
 Propriété de ©BERG ELECTRONICS. Droits de reproduction BERG ELECTRONICS INC.

All rights strictly reserved. Reproduction or issue to third parties in any form whatever is not permitted without written authority from the proprietor.
 Property of ©BERG ELECTRONICS Copyright BERG ELECTRONICS INC.

PRODUCT NUMBER	DIM.	LENGTH FORMULAS
50819-XXXXX	DIM A	.100/2.54 X NO. OF COLUMNS + 1.35/34.3
	DIM B	.100/2.54 X NO. OF COLUMNS + 1.050/26.67
	DIM C	.100/2.54 X NO. OF COLUMNS - .100/2.54
	DIM F	.100/2.54 X NO. OF COLUMNS + .300/7.62



SECTION U-U SECTION X-X SECTION P-P



RECOMMENDED PCB LAYOUT
 (ALL HOLES LOCATED ON .100 [2.54] GRID UNLESS OTHERWISE SPECIFIED. COAXIAL MOUNTING HOLES NOT SHOWN.)

NOTES:

- PRODUCT NUMBERING CODE:
 50819 - X XXX X
 TAIL LENGTH(NOTE 5)
 NO. OF POSITIONS(NOTE 2)
 PLATING(NOTE 4)
 BASE NUMBER
- THIS PRODUCT IS CONFIGURED IN SIZES OF 6 THRU 80 COLUMNS IN INCREMENTS OF ONE. i.e.: 6,7,8,9.....79,80.
- HOUSING MATERIAL: GLASS FILLED PPS.
 CONTACT MATERIAL: BeCu
- PLATING CONTACT AREA OPTIONS:
 1 = 30u"/.76u GOLD
 3 = 50u"/1.27u GOLD
 5 = 30u"/.76u GXT
 ALL SOLDER TAILS SnPb
- TAIL LENGTH OPTIONS:
 E = .125±.010 / 3.18±.25
 F = .145±.010 / 3.68±.25
 H = .180±.010 / 4.57±.25
- "BERG" NAME, PART NUMBER AND LOT CODE TO APPEAR ON THIS SURFACE PER BUS-12-10B.
- FOR DOCUMENTATION MENU, SEE BERG SPECIFICATION BUS-01-057.
- USE HOUSING PART NUMBER 50822-XXX.

mat'l. code				tolerances unless otherwise specified			CUSTOMER COPY		BERG ELECTRONICS	
NOTE 3									title	
ltr	ecn no	dr	date	linear	.XX ± .01			projection	4 ROW R/A RECT. ASSEMBLY, w/2 PORTS	
B					.XXX ± .005				IN/mm	product family HPC
				angles	.XXXX ± .0020			scale		size dwg no
					0° ± Z'				1:1	A 50819
				dr	G. PETERS	11/8/94				code
				engr	S. CLARK	11/9/94			sheet	
				chr	S. CLARK	11/9/94			2 of	
				appd	S. CLARK	11/9/94				
sheet	revision	B								
index	sheet	2								