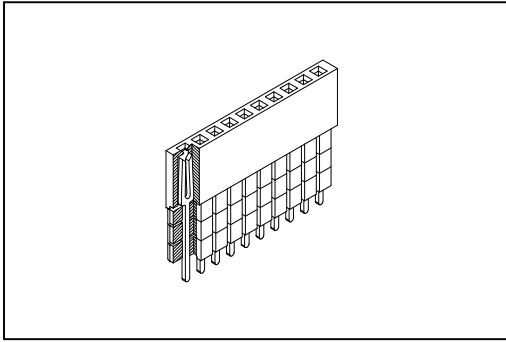


2047 Series

Elevated P.C.B. Socket 2.54mm(0.100")



Material:

Housing: Thermoplastic Polyester Glass Filled UL94V-0.

Contacts: Copper Alloy.

Electrical Characteristics:

Current Rating: 2 A.

Dielectric Withstanding Voltage: AC 1000V.

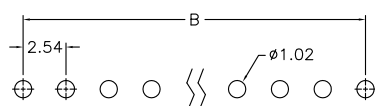
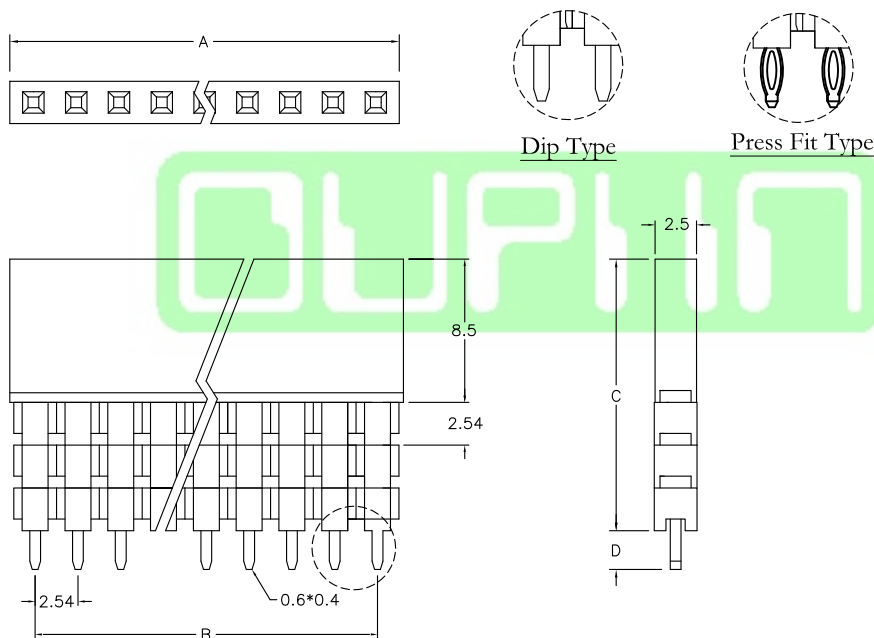
Insulator Resistance: 1000MΩ min.

Contact Resistance: 20mΩ max.

Operating Temperature: -55°C~+105°C.

Features:

- * Wide range of board spacing choices.
 - * Strong and great product flexibility.
 - * Tuning fork contacts offer lower cost for competitive market.
 - * Additional plating options available.
- Mates with: 2011,2012,2015.



P.C. Board Layout

Position Dimension	2 Thru 40										
A	2.54 X No. of Positions +0.4										
B	2.54 X No. of Positions-2.54										
Code	1	2	3	4	5	6	7	8	9	10	11
C (Straight)	11.05	11.05	13.59	16.13	11.05	13.59	16.13	18.67	11.05	18.67	21.21
C (Press Fit)	11.05	13.59	16.13	18.67	11.05	/	/	/	/	/	/
D (Straight)	2.50	7.35	4.85	2.30	12.20	9.65	7.10	4.60	3.50	3.00	2.06
D (Press Fit)	3.20	3.20	3.20	3.20	12.20	/	/	/	/	/	/

Ordering information

2047- 1 X 40 G 00 S P 1 U
 Series Single Row No. of Pin Per Row G: Gold Plated 00: G/F S: Straight Blank: Dip Type P: Press Fit Type 1: Choices of Code U: Tube Package