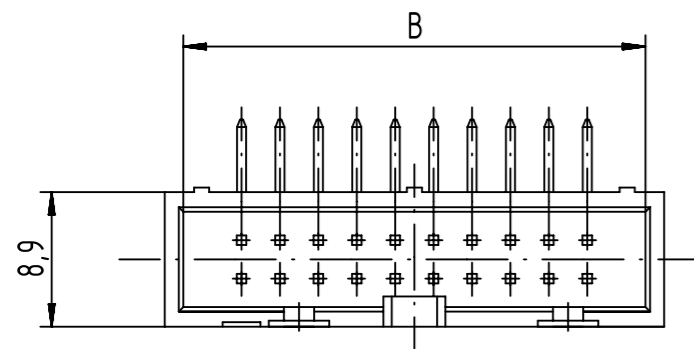



Coding style table	
	Style A: For connectors 6 poles
	Style B: For connectors 10 and 14 poles
	Style C: For connectors from 16 to 64 poles



-Technical information available on a separate document ref: DS 09181100001
-Full range of P/N's and dimensions shown on page 2/2

	All rights reserved Department EC PD - FR	All Dimensions in mm Original Size DIN A3	Scale 2:1	Free size tol.	Ref. Sub.
	HARTING Electronics GmbH D-32339 Espelkamp	Created by DOUGE	Inspected by BAGDIKIAN	Standardisation HOFFMANN	Date 2014-05-16
		Title SEK 18 male right angled low profile			State Final Release
		Type TB	Number 09185XXX321		Doc-Key / ECM-Nr. 100565037/UGD/001/A 50000068837
					Rev. A Page 1/2

		Performance Level			Dimensions		
		PL3	PL2	S4			
Nb of Contacts	Part Number	Part Number	Part Number	Insulator Color	A Max	B	E
06	0918 506 7321	0918 506 6321	0918 506 5321	Grey	15,4	12,78	2,54 x 2 = 5,08
10	0918 510 7321	0918 510 6321	0918 510 5321		20,5	17,86	2,54 x 4 = 10,16
14	0918 514 7321	0918 514 6321	0918 514 5321		25,6	22,94	2,54 x 6 = 15,24
16	0918 516 7321	0918 516 6321	0918 516 5321		28,1	25,48	2,54 x 7 = 17,78
20	0918 520 7321	0918 520 6321	0918 520 5321		33,2	30,56	2,54 x 9 = 22,86
26	0918 526 7321	0918 526 6321	0918 526 5321		40,8	38,18	2,54 x 12 = 30,48
30	0918 530 7321	0918 530 6321	0918 530 5321		45,9	43,26	2,54 x 14 = 35,56
34	0918 534 7321	0918 534 6321	0918 534 5321		51,0	48,34	2,54 x 16 = 40,64
40	0918 540 7321	0918 540 6321	0918 540 5321		58,6	55,96	2,54 x 19 = 48,26
50	0918 550 7321	0918 550 6321	0918 550 5321		71,5	68,66	2,54 x 24 = 60,96
60	0918 560 7321	0918 560 6321	0918 560 5321		84,2	81,36	2,54 x 29 = 73,66
64	0918 564 7321	0918 564 6321	0918 564 5321		89,3	86,44	2,54 x 31 = 78,74
06	0918 506 7321 001	0918 506 6321 001	0918 506 5321 001	Black	15,4	12,78	2,54 x 2 = 5,08
10	0918 510 7321 001	0918 510 6321 001	0918 510 5321 001		20,5	17,86	2,54 x 4 = 10,16
14	0918 514 7321 001	0918 514 6321 001	0918 514 5321 001		25,6	22,94	2,54 x 6 = 15,24
16	0918 516 7321 001	0918 516 6321 001	0918 516 5321 001		28,1	25,48	2,54 x 7 = 17,78
20	0918 520 7321 001	0918 520 6321 001	0918 520 5321 001		33,2	30,56	2,54 x 9 = 22,86
26	0918 526 7321 001	0918 526 6321 001	0918 526 5321 001		40,8	38,18	2,54 x 12 = 30,48
30	0918 530 7321 001	0918 530 6321 001	0918 530 5321 001		45,9	43,26	2,54 x 14 = 35,56
34	0918 534 7321 001	0918 534 6321 001	0918 534 5321 001		51,0	48,34	2,54 x 16 = 40,64
40	0918 540 7321 001	0918 540 6321 001	0918 540 5321 001		58,6	55,96	2,54 x 19 = 48,26
50	0918 550 7321 001	0918 550 6321 001	0918 550 5321 001		71,5	68,66	2,54 x 24 = 60,96
60	0918 560 7321 001	0918 560 6321 001	0918 560 5321 001		84,2	81,36	2,54 x 29 = 73,66
64	0918 564 7321 001	0918 564 6321 001	0918 564 5321 001		89,3	86,44	2,54 x 31 = 78,74

	All rights reserved	Created by	Inspected by	Standardisation	Date	State	
	Department EC PD - FR	DOUGE	BAGDIKIAN	HOFFMANN	2014-05-16	Final Release	
HARTING Electronics GmbH		Title				Doc-Key / ECM-Nr.	
D-32339 Espelkamp		SEK 18 male right angled low profile				100565037/UGD/001/A 50000068837	
		Type	Number	Rev.		Page	
		TB	09185XXX321	A		2/2	