

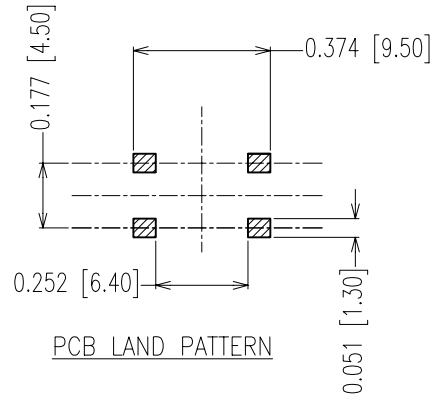
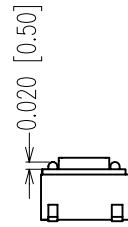
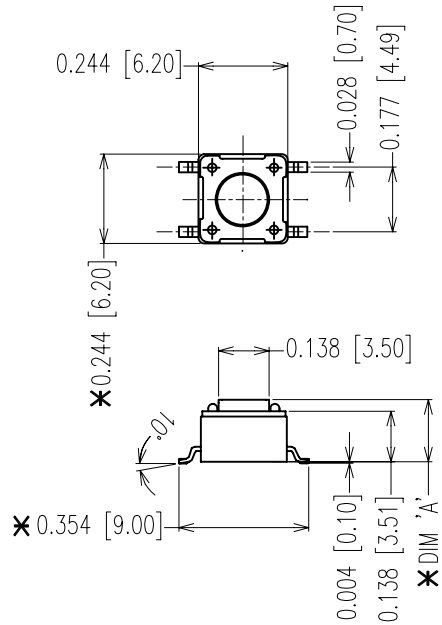
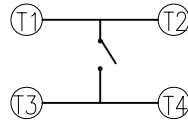
SPECIFICATIONS:

ELECTRICAL:-

- CURRENT RATING: 50 mA, 12V DC
  - DIELECTRIC STRENGTH: 250V AC/1 MINUTE
  - CONTACT RESISTANCE: 100 mΩ MAX.
  - INSULATION RESISTANCE: 100 MΩ MIN. AT 500V DC
- MECHANICAL:-
- DURABILITY: 200 000 CYCLES FOR 160 gf
  - 100 000 CYCLES FOR 260gf

NOTES: ALL DIMENSIONS AND NOTES MARKED \* ARE CRITICAL AND MUST BE CHECKED IN ACCORDANCE WITH QUALITY DOC. Q1-02A

CIRCUIT DIAGRAM



A	OPERATION FORCE	COLOUR
1	160±50gf (N)	BROWN
2	260±50gf (R)	RED

B	DIM. "A"
1	4.30(.169)
2	5.00(.197)
3	7.00(.276)
4	7.30(.287)
5	9.50(.374)
6	13.00(.512)

Allan	1	01.08.06	-
NAME	ISS.	DATE	C/NOTE

APPROVED: *Paul*  
 CHECKED: *Paul*

DRAWN: Allan

CUSTOMER REF.:

ASSEMBLY DRG:

ORDER CODE

M801-31 X 0 X 00R

A: 1,2 — B: 1,2,3,4,5,6

TOLERANCES

- 0.00mm TO 30.00mm = ±0.20mm
- 30.01mm TO 80.00mm = ±0.25mm
- 80.01mm TO 150.00mm = ±0.30mm
- ABOVE 150.00mm = ±0.40mm

**HARWIN**

HARWIN USA  
 TEL: 603 893 5376  
 FAX: 603 893 5396  
 mis@harwin.com

HARWIN Europe (UK)  
 TEL: 023 9231 4545  
 FAX: 023 9231 4590  
 mis@harwin.co.uk

HARWIN Asia  
 TEL: +65 6 779 4909  
 FAX: +65 6 779 3868  
 mis@harwin.com.sg

THIS DRAWING AND ANY INFORMATION OR DESCRIPTIVE MATTER SET OUT HEREON ARE CONFIDENTIAL AND COPYRIGHT PROPERTY OF THE HARWIN GROUP AND MUST NOT BE DISCLOSED, LOANED, COPIED OR USED FOR MANUFACTURING, TENDERING OR FOR ANY OTHER PURPOSE WITHOUT THEIR WRITTEN PERMISSION.

TOLERANCES  
 X. = ±1mm  
 X.X = ±0.25mm  
 X.XX = ±0.10mm  
 X.XXX = ±0.01mm  
 ANGLES = ±5°  
 UNLESS STATED

MATERIAL: SEE NOTES  
 FINISH: SEE NOTES  
 S/AREA: mm<sup>2</sup>

TITLE: M801 SERIES TACT SWITCH  
 DRAWING NUMBER: M801-31 X 0 X 00R