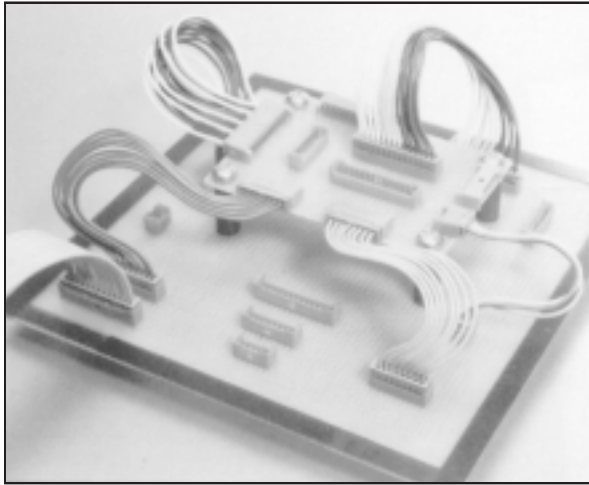


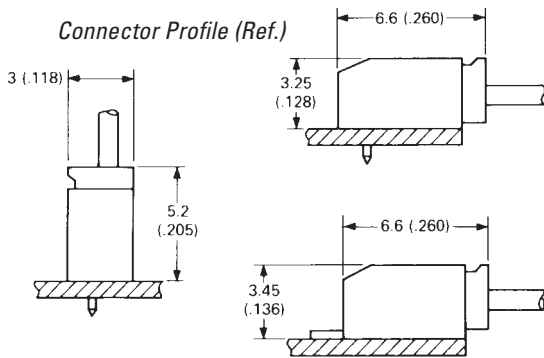
IL-Z SERIES CONNECTORS

1.25mm (.049") Contact Spacing, PCB-to-Cable (Crimp Type) Connectors



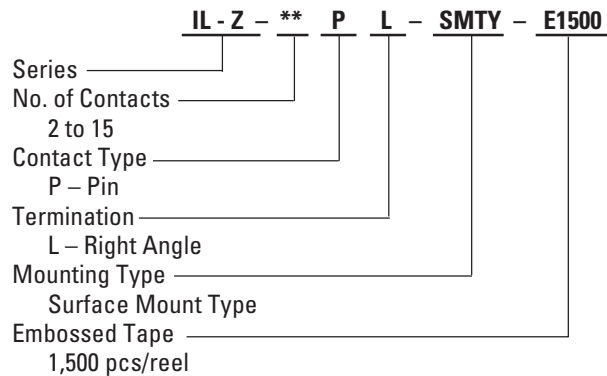
FEATURES

- Crimp type for efficient wire termination
- High reliability socket contacts
- High-density packaging and automatic mounting
- SMT and through hole pin headers available
- Boxed pin header design prevents mismatching
- Anti-wicking feature



ORDERING INFORMATION

PIN HEADER (SMT TYPE)



IL-Z Series connectors are designed for board-to-cable applications. High-density 1.25mm (.049") contact spacing (single row), 5.2mm (.205") high when mated vertically. Low-profile design includes board-mounted pin headers (straight and right-angle) and wire-terminated socket housings (with crimp socket contacts).

The IL-Z Series has a wide variety of applications, including commercial and household appliances, VTR's, television, office automation equipment and measuring instruments.

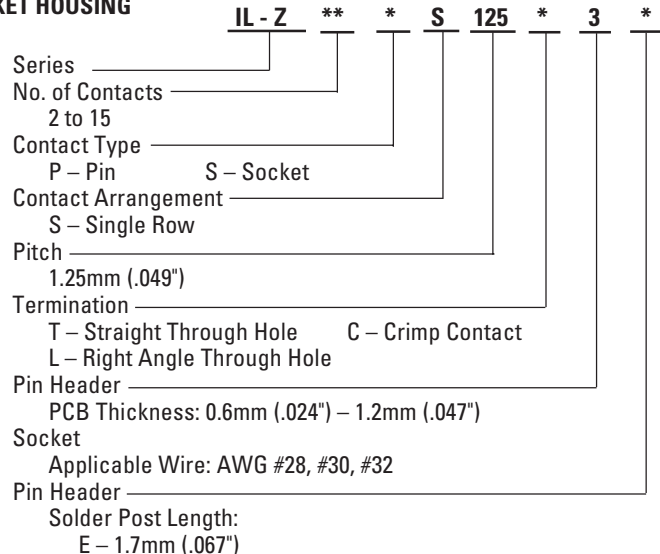
GENERAL SPECIFICATIONS

| | |
|---------------------------------|---------------------------------|
| Number of Contacts | 2 to 15 |
| Contact Spacing | 1.25mm (.049"), single row |
| Current Rating | 1 Amp |
| Dielectric Withstanding Voltage | 500 VAC r.m.s. (for one minute) |
| Insulation Resistance | 100 megohms min. |
| Contact Resistance | 20 milliohms max. |
| Operating Temperature Range | -40°C to +70°C |
| Applicable PCB Thickness | 0.6 to 1.2mm (.024 to .047") |
| Applicable Wire | #32 to #28 AWG (stranded) |

MATERIALS AND FINISHES

| Description | Materials/Finishes |
|----------------|---|
| Insulator | Through hole pin header and socket housing: 6-6 Nylon (UL94V-0, Light Brown) SMT pin header: PPS (UL94V-0, Light Gray) |
| Pin Contact | Brass/Tin plating over Nickel |
| Socket Contact | Phosphor Bronze/Tin plating |
| Hold-down | Phosphor Bronze/Tin plating (SMT only) |

PIN HEADER (THROUGH HOLE TYPE) SOCKET HOUSING



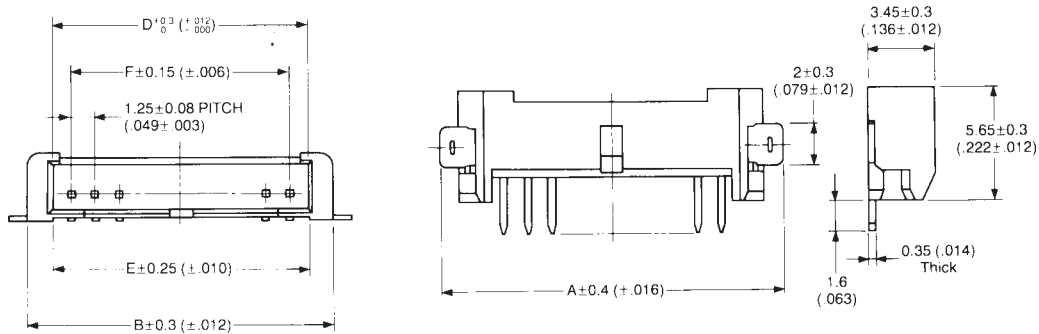
Dimensions and specifications subject to change without notice.

IL-Z SERIES CONNECTORS

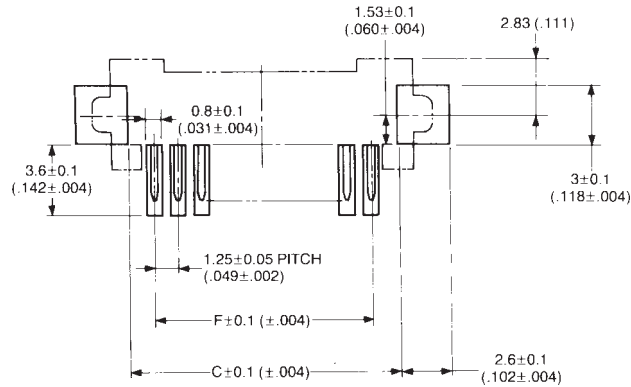
1.25mm (.049") Contact Spacing, PCB-to-Cable (Crimp Type) Connectors

PIN HEADER (SMT TYPE)

Right Angle



PCB Layout (Ref.)



| No. of Contacts | Part Number (See note.1) | A ± 0.4 ($\pm .016$) | B ± 0.3 ($\pm .012$) | C ± 0.1 ($\pm .004$) | D $+0.3$ ($^{+.012}$) -0 ($^{-.000}$) | E ± 0.25 ($\pm .010$) | F |
|-----------------|-----------------------------|----------------------------------|----------------------------------|----------------------------------|---|-----------------------------------|--------------|
| 2 | IL-Z- 2PL-SMTY-E1500 | 7.65 (.301) | 5.65 (.222) | 4.45 (.175) | 3.25 (.128) | 3.15 (.124) | 1.25 (.049) |
| 3 | IL-Z- 3PL-SMTY-E1500 | 8.90 (.350) | 6.90 (.272) | 5.70 (.224) | 4.50 (.177) | 4.40 (.173) | 2.50 (.098) |
| 4 | IL-Z- 4PL-SMTY-E1500 | 10.15 (.400) | 8.15 (.321) | 6.95 (.274) | 5.75 (.226) | 5.65 (.222) | 3.75 (.148) |
| 5 | IL-Z- 5PL-SMTY-E1500 | 11.40 (.449) | 9.40 (.370) | 8.20 (.323) | 7.00 (.276) | 6.90 (.272) | 5.00 (.197) |
| 6 | IL-Z- 6PL-SMTY-E1500 | 12.65 (.498) | 10.65 (.419) | 9.45 (.372) | 8.25 (.325) | 8.15 (.321) | 6.25 (.246) |
| 7 | IL-Z- 7PL-SMTY-E1500 | 13.90 (.547) | 11.90 (.468) | 10.70 (.421) | 9.50 (.374) | 9.40 (.370) | 7.50 (.295) |
| 8 | IL-Z- 8PL-SMTY-E1500 | 15.15 (.596) | 13.15 (.518) | 11.95 (.470) | 10.75 (.423) | 10.65 (.419) | 8.75 (.344) |
| 9 | IL-Z- 9PL-SMTY-E1500 | 16.40 (.646) | 14.40 (.567) | 13.20 (.520) | 12.00 (.472) | 11.90 (.468) | 10.00 (.394) |
| 10 | IL-Z-10PL-SMTY-E1500 | 17.65 (.695) | 15.65 (.616) | 14.45 (.569) | 13.25 (.522) | 13.15 (.518) | 11.25 (.443) |
| 11 | IL-Z-11PL-SMTY-E1500 | 18.90 (.744) | 16.90 (.665) | 15.70 (.618) | 14.50 (.571) | 14.40 (.567) | 12.50 (.492) |
| 12 | IL-Z-12PL-SMTY-E1500 | 20.15 (.793) | 18.15 (.714) | 16.95 (.667) | 15.75 (.620) | 15.65 (.616) | 13.75 (.541) |
| 13 | IL-Z-13PL-SMTY-E1500 | 21.40 (.843) | 19.40 (.764) | 18.20 (.716) | 17.00 (.669) | 16.90 (.665) | 15.00 (.590) |
| 14 | IL-Z-14PL-SMTY-E1500 | 22.65 (.892) | 20.65 (.813) | 19.45 (.766) | 18.25 (.718) | 18.15 (.714) | 16.25 (.640) |
| 15 | IL-Z-15PL-SMTY-E1500 | 23.90 (.941) | 21.90 (.862) | 20.70 (.815) | 19.50 (.768) | 19.40 (.764) | 17.50 (.689) |

Note 1: Supplied in embossed-tape reels.

Suffix "-E1500" of the part number indicates that 1,500 pcs. of "IL-Z-*PL-SMTY" connectors are supplied per reel.

Please consult JAE for embossed tape specifications.

Dimensions in mm (inches).



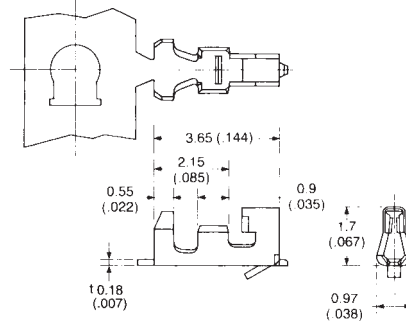
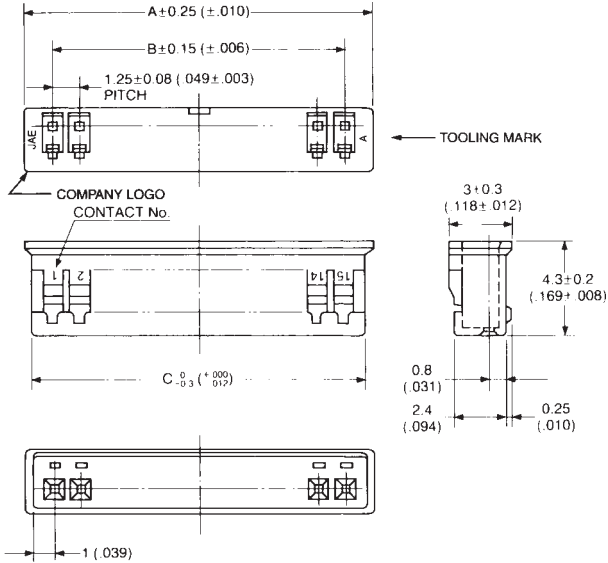
IL-Z SERIES CONNECTORS

1.25mm (.049") Contact Spacing, PCB-to-Cable (Crimp Type) Connectors

SOCKET CONTACT (CRIMP TYPE)

Part Number: IL-Z-C3-A-15000 (Note: Contacts 15,000pcs. per reel)

SOCKET HOUSING



Applicable Wire

| Wire Size (AWG) | Insulation Outer Dia. |
|-----------------|------------------------------------|
| #32-#30 | 0.5mm to 0.8mm (.020" to .031") |
| #28 | 0.7mm to 1.0mm (.028" to .039") |

Tooling

| Description | Part Number |
|---------------------------------|--------------|
| Semi-Automatic Crimping Machine | CT350-2-ILZ |
| Hand Crimping Tool | CT150-4B-ILZ |
| Contact Insertion Tool | IT205-1-ILZ |
| Contact Extraction Tool | ET-ILZ |

| No. of Contacts | Part Number | A $\pm 0.25 (.010)$ | B $\pm 0.15 (.006)$ | C $\begin{smallmatrix} +0 \\ -0.3 \end{smallmatrix} \begin{smallmatrix} (+.000) \\ (-.012) \end{smallmatrix}$ |
|-----------------|-----------------|------------------------|------------------------|--|
| 2 | IL-Z- 2S-S125C3 | 3.95 (.156) | 1.25 (.049) | 3.25 (.128) |
| 3 | IL-Z- 3S-S125C3 | 5.20 (.205) | 2.50 (.098) | 4.50 (.177) |
| 4 | IL-Z- 4S-S125C3 | 6.45 (.254) | 3.75 (.148) | 5.75 (.226) |
| 5 | IL-Z- 5S-S125C3 | 7.70 (.303) | 5.00 (.197) | 7.00 (.276) |
| 6 | IL-Z- 6S-S125C3 | 8.95 (.352) | 6.25 (.246) | 8.25 (.325) |
| 7 | IL-Z- 7S-S125C3 | 10.20 (.402) | 7.50 (.295) | 9.50 (.374) |
| 8 | IL-Z- 8S-S125C3 | 11.45 (.451) | 8.75 (.344) | 10.75 (.423) |
| 9 | IL-Z- 9S-S125C3 | 12.70 (.500) | 10.00 (.394) | 12.00 (.472) |
| 10 | IL-Z-10S-S125C3 | 13.95 (.549) | 11.25 (.443) | 13.25 (.522) |
| 11 | IL-Z-11S-S125C3 | 15.20 (.598) | 12.50 (.492) | 14.50 (.571) |
| 12 | IL-Z-12S-S125C3 | 16.45 (.648) | 13.75 (.541) | 15.75 (.620) |
| 13 | IL-Z-13S-S125C3 | 17.70 (.697) | 15.00 (.591) | 17.00 (.669) |
| 14 | IL-Z-14S-S125C3 | 18.95 (.746) | 16.25 (.640) | 18.25 (.719) |
| 15 | IL-Z-15S-S125C3 | 20.20 (.795) | 17.50 (.689) | 19.50 (.768) |

Dimensions in mm (inches).

