

Customer Information Sheet

DRAWING No.: M20-E06XXX

SHEET 2 OF 2

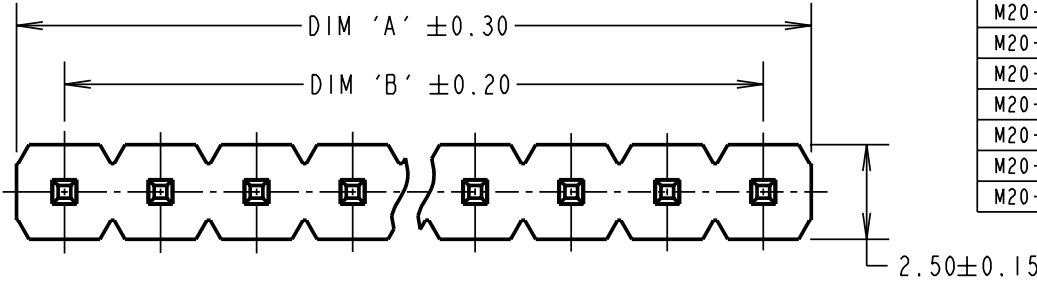
IF IN DOUBT - ASK

©

NOT TO SCALE

THIRD ANGLE PROJECTION

ALL DIMENSIONS IN mm



PART No.	No. OF CONTACTS	DIM 'A'	DIM 'B'
M20-E0602XX	2	5.08	2.54
M20-E0603XX	3	7.62	5.08
M20-E0604XX	4	10.16	7.62
M20-E0605XX	5	12.70	10.16
M20-E0606XX	6	15.24	12.70
M20-E0608XX	8	20.32	17.78
M20-E0610XX	10	25.40	22.86

SPECIFICATIONS:

MATERIAL:
 MOULDING = 30% GLASS-FILLED PA6T,
 UL94V-0, BLACK

CONTACT = BRASS

FINISH:
CONTACT:
 45 = GOLD OVER NICKEL
 46 = 100% TIN OVER NICKEL

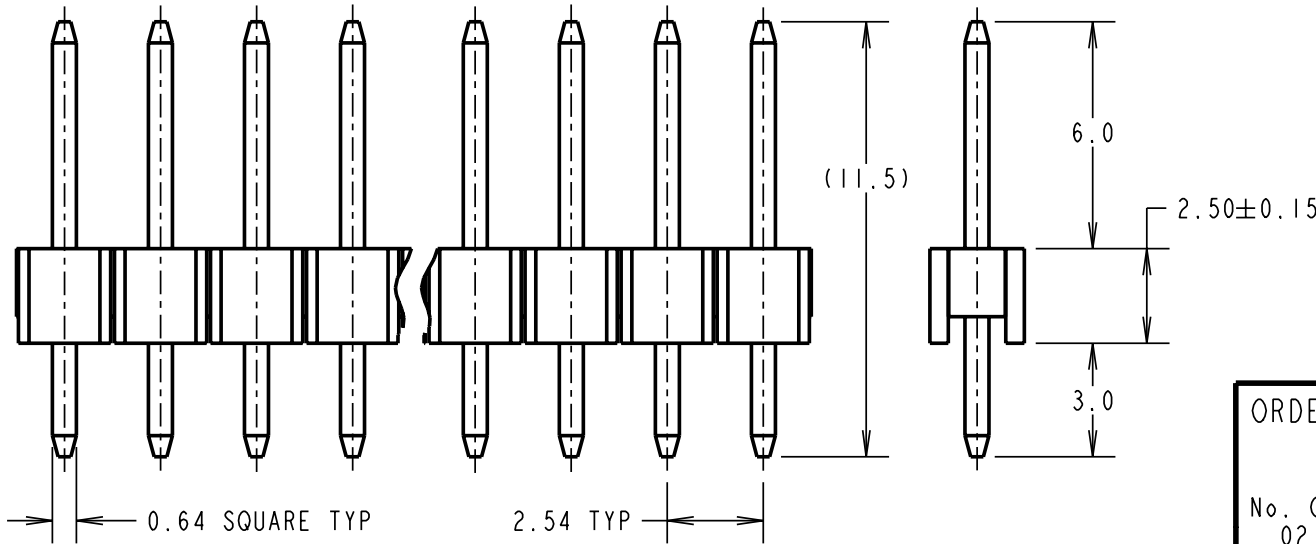
ELECTRICAL:
 CURRENT RATING = 3A
 CONTACT RESISTANCE:
 INITIAL = 20mΩ MAX
 AFTER CONDITIONING = 30mΩ MAX
 INSULATION RESISTANCE = 1,000MΩ MIN
 DIELECTRIC STRENGTH = 1,000V AC / 1 MINUTE

MECHANICAL:
 DURABILITY = 300 OPERATIONS

ENVIRONMENTAL:
 TEMPERATURE RANGE = -40°C TO +105°C

PACKING:
 BAG

Asia only



ORDER CODE:
M20-E06XXX

No. OF CONTACTS PER ROW ———
 02 TO 06, 08, 10

FINISH _____
 45 = GOLD
 46 = 100% TIN

WJB	1	12.02.08	----
NAME	ISS.	DATE	C/NOTE
APPROVED:		R. ADDE	
CHECKED:		M. G. PLESTED	
DRAWN:		W. J. BOURNE	
CUSTOMER REF.:			
ASSEMBLY DRG:			

NOTES:
 1. RECOMMENDED PCB HOLE SIZE = $\varnothing 1.02 \pm 0.05$ mm.

HARWIN

HARWIN INC U.S.A. TEL: 603 893 5376 FAX: 603 893 5396 mis@harwin.com	HARWIN PLC Europe (U.K.) TEL: 023 9231 4545 FAX: 023 9231 4590 mis@harwin.co.uk	HARWIN PTE Asia (Singapore) TEL: +65 6779 4909 FAX: +65 6779 3868 mis@harwin.com.sg
---	--	--

THIS DRAWING AND ANY INFORMATION OR DESCRIPTIVE MATTER SET OUT HEREON ARE CONFIDENTIAL AND COPYRIGHT PROPERTY OF THE HARWIN GROUP AND MUST NOT BE DISCLOSED, LOANED, COPIED OR USED FOR MANUFACTURING, TENDERING OR FOR ANY OTHER PURPOSE WITHOUT THEIR WRITTEN PERMISSION.

TOLERANCES
 X. = ± 1 mm
 X.X = ± 0.25 mm
 X.XX = ± 0.10 mm
 X.XXX = ± 0.01 mm
 ANGLES = $\pm 5^\circ$
 UNLESS STATED

MATERIAL:
 SEE ABOVE

FINISH: SEE ABOVE

S/AREA: mm²

TITLE:
 2.54mm PITCH SIL VERTICAL
 PC TAIL PIN HEADER

DRAWING NUMBER:
M20-E06XXX

SHT
 2 OF 2