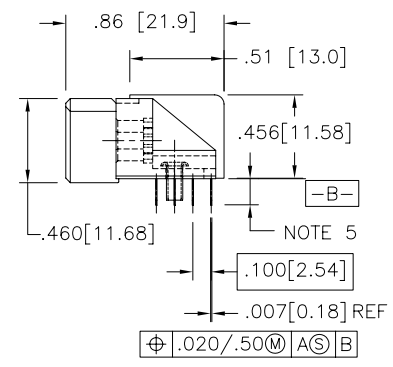
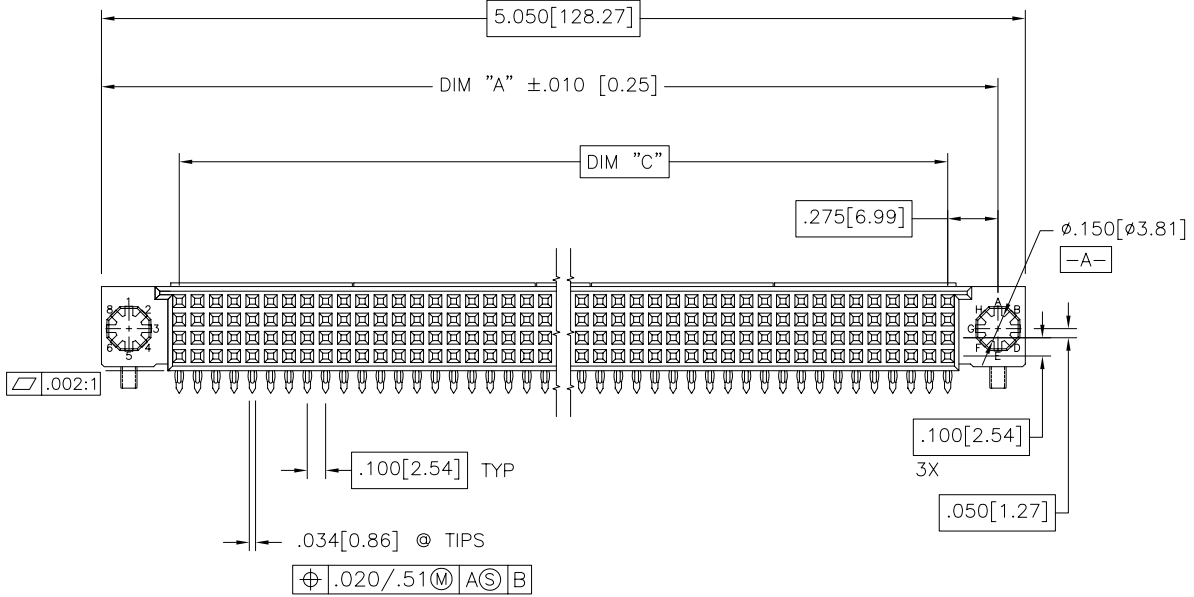
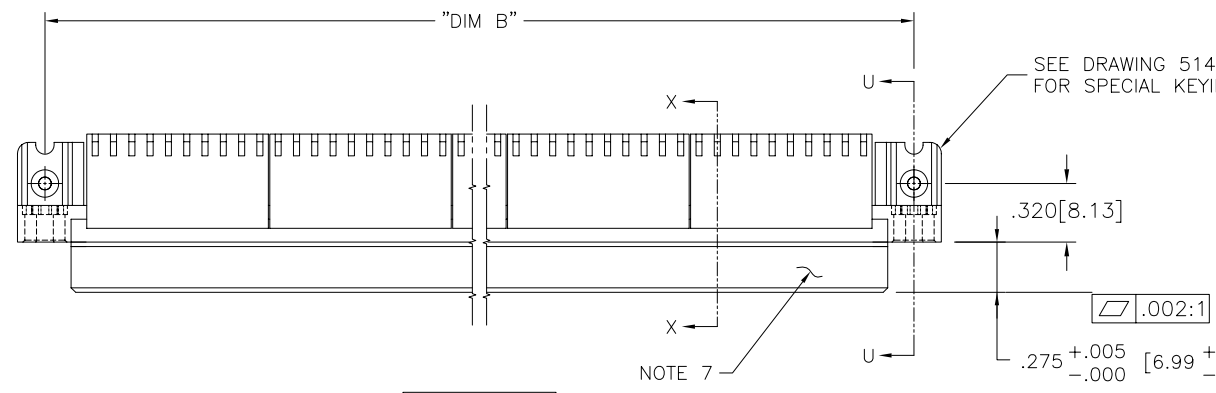




FCIconnect.com

Copyright FCI

PRODUCT NUMBER
SEE NOTE 1



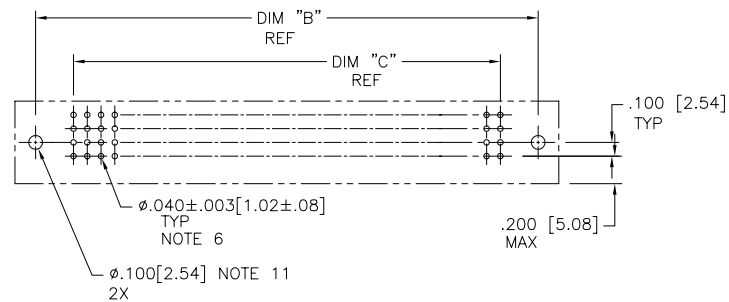
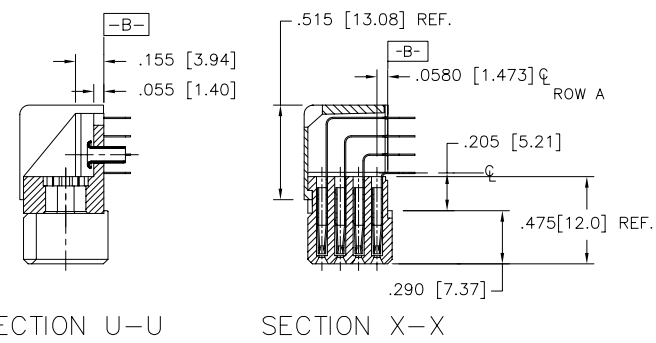
mat'l. code				surface ISO 1302 ✓		tolerance ISO 406 ISO 1101		projection ∅		product family HPC	
ltr	ecn no	dr	date	tolerances unless otherwise specified		.XX±.01/.3		INCH/MM		title 4 ROW R/A RECEPT. P.F., 0 G.P.	
A	V80432	MSC	3/26/98	angles	linear	.xxx±.005/.13		scale 1:1		dwg no 51455	
B	V00261	JWS	1/24/00	0'±2'		.xxx±.0020/.051				sheet 1 of 2 A3	
C	M06-0255	AGS	7/6/06							type Product Customer Drawing	
sheet index		revision sheet		C C		dr		M. CLOUSER		3/26/98	
				1 2		enr		J. BROWN		3/26/98	
						chr		J. BROWN		3/26/98	
						appd		J. BROWN		3/26/98	

form: A3

PRODUCT NUMBER	DIM	LENGTH FORMULAS
SEE NOTE 1	DIM "A"	.100 [2.54] x NO. of COLUMNS + .75 [19.1]
	DIM "B"	.100 [2.54] x NO. of COLUMNS + .450 [11.43]
	DIM "C"	.100 [2.54] x NO. of COLUMNS - .100 [2.54]

NOTES:
 ① PRODUCT NUMBERING CODE:
 51455 - X YYY Z S
 SPECIAL FEATURES(NOTE 11)
 TAIL LENGTH(NOTE 5)
 NO. of POSITIONS(NOTE 2)
 PLATING(NOTE 4)
 BASE NUMBER

- ② THIS PRODUCT IS CONFIGURED IN SIZES OF 6 thru 80 COLUMNS IN INCREMENTS OF ONE.
 i.e.: 6,7,8,9,.....79,80.
- ③ PRESS BLOCK MATERIAL: LCP.
 HOUSING MATERIAL: GLASS AND MINERAL FILLED HIGH TEMP. THERMOPLASTIC. FLAME RETARDANT PER UL94V-0.
 COLOR: BLACK.
 CONTACT MATERIAL: BeCu.
- ④ PLATING, CONTACT AREA:
 1=30u"/.76u" GOLD
 ALL TAILS TIN/LEAD.
- ⑤ TAIL LENGTH OPTIONS:
 E = .125±.010 [3.18±.25]
 F = .145±.010 [3.68±.25]
- ⑥ .0453/1.151 DRILLED HOLE PLATED WITH .0003/.007 MIN. SnPb OVER .001/.03 to .003/.08 Cu. PLATING TO ACHIEVE A ϕ .040±.003/1.02±.08 HOLE.
- ⑦ MANUFACTURE'S LOGO, P/N, AND LOT CODE TO APPEAR ON THIS SURFACE PER BUS-12-108.
8. FOR DOCUMENTATION MENU, SEE SPEC. BUS-01-057.
9. USE INSTALLATION TOOL P/N (T.B.D.)
- ⑩ SEE 50760 FOR MATING CONNECTOR.
- ⑪ SPECIAL FEATURES:
 - = IF CODE IS OMITTED FROM PRODUCT NO., CONNECTOR IS PROVIDED AS SHOWN; NO SPECIAL FEATURES ARE SELECTED.
 "A" = IF SPECIFIED, SEE DWG. 51009; FOR ϕ .100 BOARD MOUNTING HOLE.(AVAILABLE IN "E" TAIL LGTH. ONLY)
 "B" = IF SPECIFIED, SEE DWG. 51010; PRE-INSTALLED EYELET FOR P.C.B. ATTACHMENT IN A ϕ .100 MOUNTING HOLE. (AVAILABLE IN "E" TAIL LENGTH ONLY)
 "C" = IF SPECIFIED, SEE DWG. 51010; PRE-INSTALLED EYELET FOR P.C.B. ATTACHMENT IN A ϕ .120 MOUNTING HOLE.
12. PARTS CAN BE CONFIGURED WITH EITHER R/A COAX P/N 51120-001 OR CABLE COAX P/N 51120-002. PARTS ARE CONFIGURED WITH R/A COAX UNLESS OTHERWISE SPECIFIED.



RECOMMENDED PCB LAYOUT
 (ALL HOLES LOCATED ON .100 [2.54] GRID UNLESS OTHERWISE SPECIFIED)

mat'l. code		surface ISO 1302 ✓	tolerance ISO 406 ISO 1101	projection ISO 1101	product family HPC
ltr	ecn	no	dr	date	title
c					4 ROW R/A RECEPT. P.F., 0 G.P.
				angles	INCH/MM
				linear	scale 1:1
				0°±2'	
				dr	M. CLOUSER 3/26/98
				enr	J. BROWN 3/26/98
				chr	J. BROWN 3/26/98
				appd	J. BROWN 3/26/98
sheet	revision				FCJ
index	sheet				
				dwg no 51455 sheet 2 of 2 size A3	
				type Product Customer Drawing	

FCJ
 FCJconnect.com

Copyright FCJ