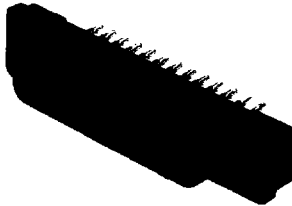


## HD-20 All-Plastic Straight Posted Connectors With ACTION PIN Contacts

### Receptacles (Low and High Profile)



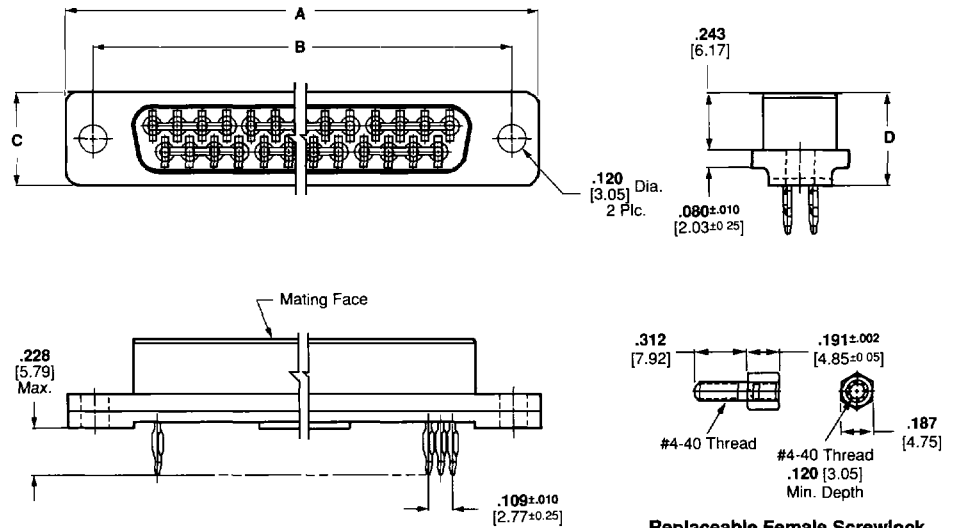
With Standard Mounting Holes



With Threaded Insert



With Fixed Female Screwlock



Replaceable Female Screwlock  
Part No. 787574-2

### Material and Finish:

**Housing**—94V-0 rated thermoplastic, black

**Threaded Inserts**—Brass, unplated

**Female Screwlocks**—Brass, nickel plated

**ACTION PIN Contacts**—Copper alloy, duplex plated as follows:

**A**—.000030 [0.00076] gold on mating end, tin-lead on ACTION PIN post surface, with entire contact .000050 [0.00127] (min.) nickel underplated

**B**—Gold flash on mating end, tin-lead on ACTION PIN post surface, with entire contact .000050 [0.00127] (min.) nickel underplated

### Related Product Data:

**Contact Arrangements**—page 4

**Performance Characteristics**—page 5

### Mateable Connectors:

**HDE**—pages 18-19

**HDF**—pages 36-37

**Mating/Panel Mounting**—page 6

**Pc Board Mounting Specifications**—page 167

### Technical Documents:

**Product Specifications**—108-40014

## HD-20 All-Plastic Straight Posted Connectors With ACTION PIN Contacts (Continued)

Shell Size	No. of Contact Positions	Dimensions				Profile	Contact Finish (Plating Code)	Receptacle Part Numbers						Seating Tool Part No.					
								For .093 [2.36] (min.) Thick Pc Boards			For .062 [1.57] (min.) Thick PC Boards								
		A	B	C	D			With Standard Mounting Holes	With Threaded Inserts	With Fixed Female Screwlocks	With Standard Mounting Holes	With Threaded Inserts	With Fixed Female Screwlocks						
1	9	1.221 31.01	.984 24.99	.410 10.41	.395	Low	A	—	—	745454-2	—	—	—	91164-1					
					10.03		B	—	—	745454-1	—	—	—						
					.695	High	A	—	745463-2	745455-2	—	—	—	—	91164-3				
							17.65	B	—	—	—	—	—	—					
					.479	Med.	A	—	745516-2	745521-2	—	—	—	—	—				
							12.17	B	—	—	—	—	—	—	—				
2	15	1.546 39.27	1.312 33.32	.410 10.41	.395	Low	A	745336-2	745380-2	745456-2	—	—	—	91165-1					
					10.03		B	—	—	745456-1	—	—	—						
					.695	High	A	—	—	—	745612-2	—	—	—	91165-3				
							17.65	B	—	745464-1	—	—	—	745627-1					
					3	25	2.095 53.21	1.852 47.04	.410 10.41	.395	Low	A	208069-2	—	745458-2	745588-2	—	—	91168-1
										10.03		B	—	—	745458-1	—	—	—	
.695	High	A	—	745465-2						745031-2	—	745613-2	745628-2	—	91168-3				
		17.65	B	208089-1						745465-1	745031-1	—	745613-1	745628-1					
.395	Low	A	745337-2	—						745459-2	745589-2	—	—	—	91166-1				
		10.03	B	745337-1						—	—	—	—	—					
.695	High	A	—	—	—	745599-2	—	—	—	91166-3									
		17.65	B	—	—	—	—	—	—										
5	50	2.643 67.13	2.406 61.11	.517 13.13	.395 10.03	Low	A	—	—	—	—	—	—	91167-1					
							B	—	—	—	—	—	—		745620-1				

- Notes: 1. All receptacles are preloaded with straight posted ACTION PIN socket contacts.  
2. Male screw retainers (pages 78 and 79) are used as mating hardware for connectors with 4-40 female screwlocks.