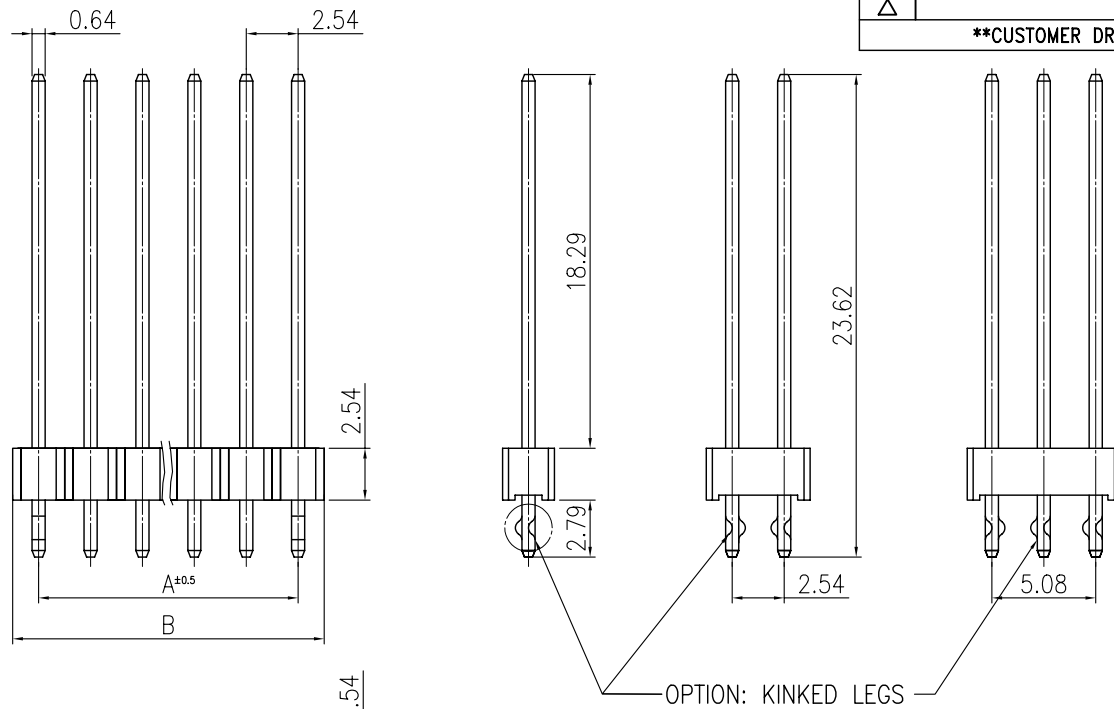


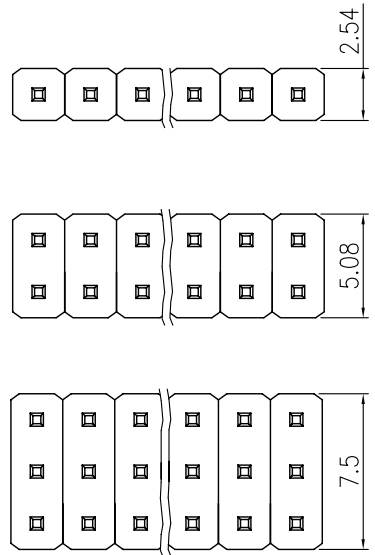
V1.1

REVISIONS							
SYM	DISCRIPTION	DATE	APPROVED	SYM	DISCRIPTION	DATE	APPROVED
△				△			
△				△			

****CUSTOMER DRAWING FOR REFERENCE ONLY, SAMPLES APPROVAL ARE REQUIRED!!**



PART NO.	CIRCUITS	DIMENSION	
		A	B
PHa018-P020_Gf_X2	_X2	2.54	5.08
PHa018-P030_Gf_X3	_X3	5.08	7.62
PHa018-P040_Gf_X4	_X4	7.62	10.16
PHa018-P050_Gf_X5	_X5	10.16	12.70
PHa018-P060_Gf_X6	_X6	12.70	15.24
PHa018-P070_Gf_X7	_X7	15.24	17.78
PHa018-P080_Gf_X8	_X8	17.78	20.32
PHa018-P090_Gf_X9	_X9	20.32	22.86
PHa018-P100_Gf_X10	_X10	22.86	25.40
PHa018-P110_Gf_X11	_X11	25.40	27.94
PHa018-P120_Gf_X12	_X12	27.94	30.48
PHa018-P130_Gf_X13	_X13	30.48	33.02
PHa018-P140_Gf_X14	_X14	33.02	35.56
PHa018-P150_Gf_X15	_X15	35.56	38.10
PHa018-P160_Gf_X16	_X16	38.10	40.64
PHa018-P170_Gf_X17	_X17	40.64	43.18
PHa018-P180_Gf_X18	_X18	43.18	45.72
PHa018-P190_Gf_X19	_X19	45.72	48.26
PHa018-P200_Gf_X20	_X20	48.26	50.80
PHa018-P210_Gf_X21	_X21	50.80	53.34
PHa018-P220_Gf_X22	_X22	53.34	55.88
PHa018-P230_Gf_X23	_X23	55.88	58.42
PHa018-P240_Gf_X24	_X24	58.42	60.96
PHa018-P250_Gf_X25	_X25	60.96	63.50
PHa018-P260_Gf_X26	_X26	63.50	66.04
PHa018-P270_Gf_X27	_X27	66.04	68.58
PHa018-P280_Gf_X28	_X28	68.58	71.12
PHa018-P290_Gf_X29	_X29	71.12	73.66
PHa018-P300_Gf_X30	_X30	73.66	76.20
PHa018-P310_Gf_X31	_X31	76.20	78.74
PHa018-P320_Gf_X32	_X32	78.74	81.28
PHa018-P330_Gf_X33	_X33	81.28	83.82
PHa018-P340_Gf_X34	_X34	83.82	86.36
PHa018-P350_Gf_X35	_X35	86.36	88.90
PHa018-P360_Gf_X36	_X36	88.90	91.44
PHa018-P370_Gf_X37	_X37	91.44	93.98
PHa018-P380_Gf_X38	_X38	93.98	96.52
PHa018-P390_Gf_X39	_X39	96.52	99.06
PHa018-P400_Gf_X40	_X40	99.06	101.6



SPECIFICATION
 CURRENT RATING : 3 A
 INSULATOR RESISTANCE: 5000MΩ MIN.
 DIELECTRIC WITHSTANDING : AC 500V.
 OPERATING TEMPERATURE: -40°C~+105°C.
 CONTACT MATERIAL : BRASS
 INSULATOR MATERIAL : STANDARD : P.B.T
 FINISH : GOLD FLASH

ORDER INFORMATION:
 PHa018-PXXOXGf
 PH: PIN HEADER
 a: 2.54mmX2.54mm PITCH
 018: SERIES NO.
 P: PCB TYPE STRAIGHT
 XX: NO. OF PINS PER ROW
 OX: NO. OF ROW
 Gf: TERMINAL PLATING, GOLD FLUSH
 K: KINKED PINS(OPTION)

TOLERANCES UNLESS OTHERWISE SPECIFIED ±0.25			SIGNATURES		DATE	MODEL
			DRAWN	TONY	27/NOV/02'	TITLE
			CHECKED	ZOLA	27/NOV/02'	PIN HEADER
			APPROVALS			NO.
						PHa018-P__0_Gf

MMT CORPORATION