

PRODUCT NUMBER

90309-XXXXLF

WHEN REQUIRED, ADD SUFFIX LETTER "LF"  
INDICATES THE PRODUCT IS RoHS  
COMPATIBLE, SEE NOTE 6 & 7

PACKAGING, SEE NOTE 5  
TOTAL NB OF POSITIONS, 08 TO 34

PLATING

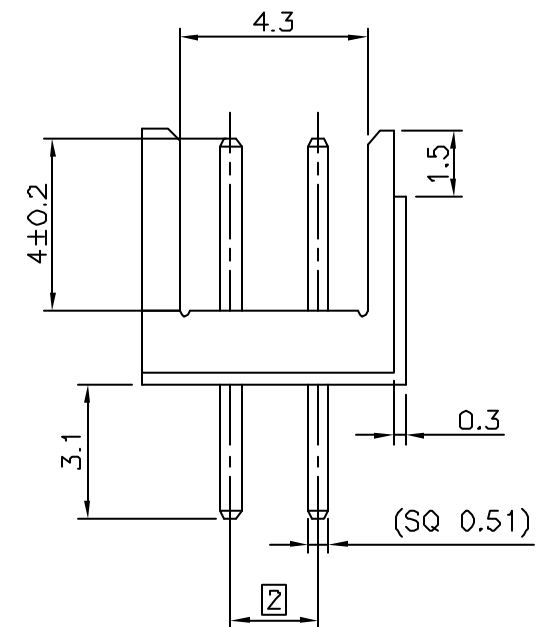
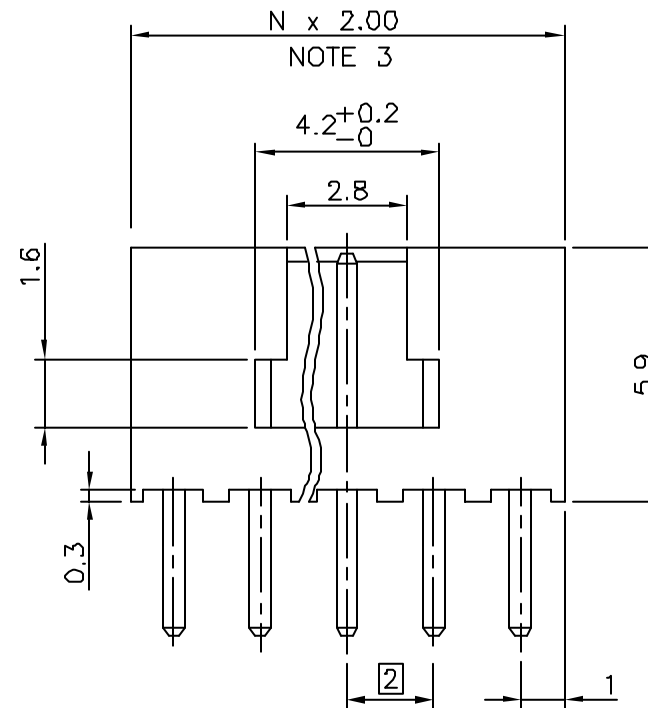
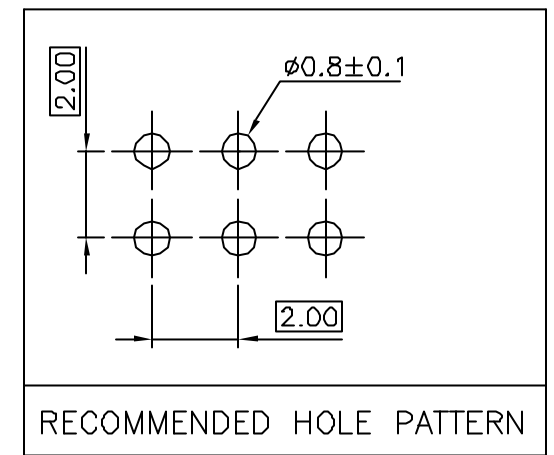
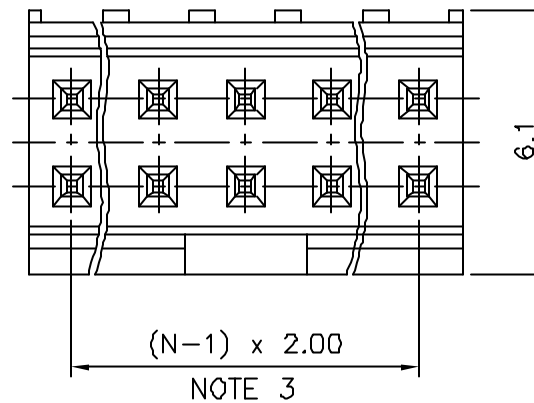
- 0 = 0.20µm GOLD/GXT ON CONTACT AREA  
3.81 TIN LEAD ON TAIL
- 1 = 0.76µm GOLD/GXT ON CONTACT AREA  
3.81 TIN LEAD ON TAIL
- 3 = 0.38µm GOLD/GXT ON CONTACT AREA  
3.81 TIN LEAD ON TAIL
- 5 = 0.38µm GXT FULL PLATED
- 6 = 0.76µm GXT FULL PLATED
- 7 = 0.76µm GOLD/GXT FULL PLATED
- 9 = 0.20µm GOLD/GXT FULL PLATED

UNDERPLATING 1.27µm Ni MIN

WHEN "LF" IS REQUIRED, 2µm MATTE TIN OVER 1.27µm Ni MIN  
IS PROVIDED INSTEAD OF TIN LEAD, ONLY FOR PLATING 1, 3, 5

NOTES:

1. MATERIAL HOUSING: HIGH TEMP. THERMOPLASTIC  
UL 94V-0, COLOR CREAM
2. MATERIAL TERMINAL: COPPER ALLOY
3. TO DETERMINE DIMENSIONS:  
N = NUMBER OF POSITIONS PER ROW
4. 7N MIN. PIN RETENTION IN EITHER DIRECTION.
5. PACKAGING:       = POLYBAGS  
                  T = TUBE
6. 95609-5XXXXLF IS SIMILAR TO 95609-5XXX  
95609-6XXXXLF IS SIMILAR TO 95609-6XXX  
THE SUFFIX "LF" IS ADDED FOR EASY LEAD FREE IDENTIFICATION
7. RoHS COMPATIBLE PRODUCT SPECIFICATIONS
  - a - PLATING:
    - "LF" MEANS THE PRODUCT IS LEAD-FREE,  
2µm MINIMUM MATTE TIN OVER 1.27µm  
MINIMUM NICKEL UNDERPLATE.
  - b - MANUFACTURING PROCESS COMPATIBILITY
    - THE HOUSING WILL WITHSTAND EXPOSURE TO  
260°C ±5°C SOLDER BATH TEMPERATURE FOR  
5 SECONDS IN A WAVE SOLDER APPLICATION  
WITH A 1.6mm MIN THICK CIRCUIT BOARD.
  - c - LABELLING:
    - MEETS PACKAGING SPECS AS PER GS-14-920
  - d - THIS PRODUCT MEETS EUROPEAN DIRECTIVES  
AND OTHER COUNTRY REGULATIONS AS DISCRIBED  
IN GS-22-008.



mat'l. code				surface	tolerance	projection	product family	
SEE NOTES				ISO 1302 ✓	ISO 406 ISO 1101		MINITEK HEADER	
Ltr	ecn no	dr	date	tolerances unless	otherwise specified	mm	title	
S	F05-0128	LMU	05.02.21	angles	.X ±0.3		SHR HEADER	
T	F06-0210	LMU	06.07.04	linear	.XX ±0.13		2.00mm TMT DR	
U	F07-0191	JCO	07.09.05	±2'	.XXX ±0.05		scale 7:1	
V	F08-0145	ELA	15.04.08	dr	JL.CORDIER 97.07.26		dwg no	
				enpr	J.COMPAGNON 97.07.26		sheet 1 of 1	
				chr	JL.CORDIER 97.07.26		90309	
				appd	JMC 97.07.26		size A3	
sheet index		revision sheet				type		CUSTOMER Drawing