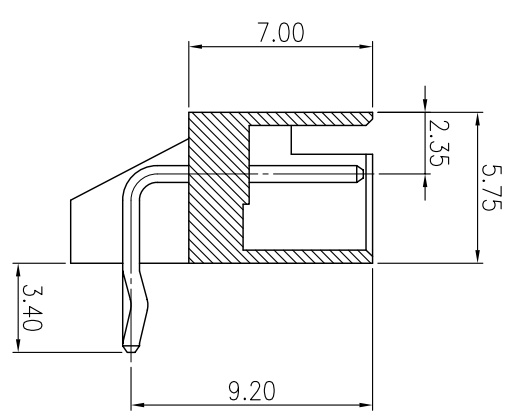
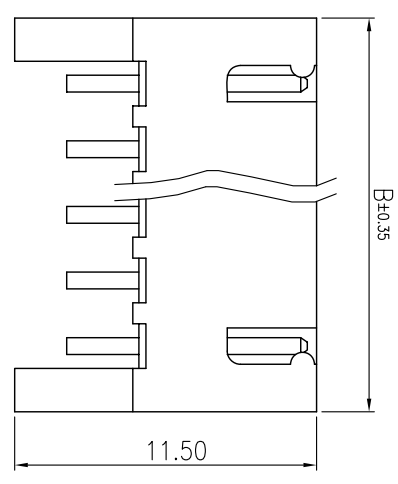
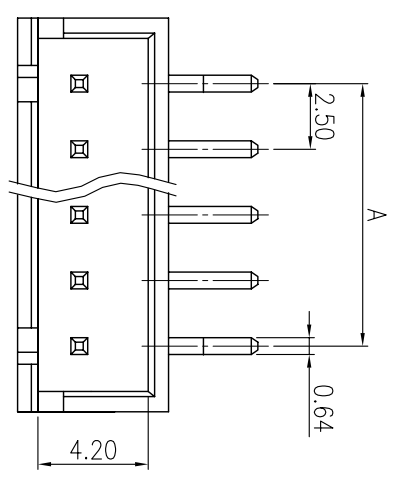


VI.1 NOTE: THIS DEVICE IS ROHS COMPLIANT.

REVISIONS		1	2	3	4	5	6	7	8
SYM	DISCRPTION	DATE	APPROVED	SYM	DISCRPTION	DATE	APPROVED		
Δ	NOTE ROHS STANDARD	10/NOV/06	KEN	Δ					
Δ				Δ					

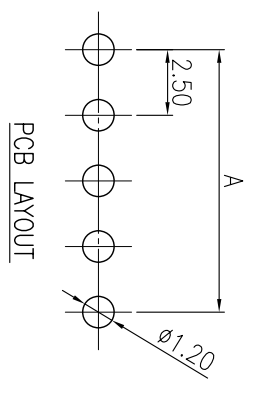
****CUSTOMER DRAWING FOR REFERENCE ONLY, SAMPLES APPROVAL ARE REQUIRED!!**



SPECIFICATIONS:
 VOLTAGE RATING: 250V AC,DC
 CURRENT RATING: 3A AC,DC
 WITHSTAND VOLTAGE : 1000V AC/MINUTE
 INSULATION RESISTANCE: 1000MΩ MIN
 TEMPERATURE RANGE: -25°C ~ +85°C
 (INCLUDING TEMPERATURE RISE IN APPLYING ELECTRICAL CURRENT)
 CONTACT RESISTANCE: INITIAL VALUE/10MΩ MAX
 AFTER ENVIRONMENTAL TESTING/20MΩ MAX
MATERIAL:
 CONTACT: BRASS, TIN PLATED
 BASE: NYLON 66 UL94V-0

ORDER INFORMATION:
 MCS001-PdXXT
 MC: WAFER SERIES, WAFER
 s: PITCH: 2.50 mm
 001: SERIES NO.
 Pd: PCB TYPE, RIGHT ANGLE TYPE
 XX: NO. OF CONTACTS
 T: PLATING, TIN PLATING

PART NO.	Contacts	DIMENSIONS(mm)	
		A	B
MCS001-Pd02T	1X2	2.50	7.50
MCS001-Pd03T	1X3	5.00	10.00
MCS001-Pd04T	1X4	7.50	12.50
MCS001-Pd05T	1X5	10.00	15.00
MCS001-Pd06T	1X6	12.50	17.50
MCS001-Pd07T	1X7	15.00	20.00
MCS001-Pd08T	1X8	17.50	22.50
MCS001-Pd09T	1X9	20.00	25.00
MCS001-Pd10T	1X10	22.50	27.50
MCS001-Pd11T	1X11	25.00	30.00
MCS001-Pd12T	1X12	27.50	32.50
MCS001-Pd13T	1X13	30.00	35.00
MCS001-Pd14T	1X14	32.50	37.50
MCS001-Pd15T	1X15	35.00	40.00
MCS001-Pd16T	1X16	37.50	42.50
MCS001-Pd17T	1X17	40.00	45.00
MCS001-Pd18T	1X18	42.50	47.50
MCS001-Pd19T	1X19	45.00	50.00
MCS001-Pd20T	1X20	47.50	52.50



MATING	HOUSING	MCS001-XX-H	TERMINAL	MCS001-T
TOLERANCES UNLESS OTHERWISE SPECIFIED ±0.30	SIGNATURES	DATE	TITLE	MODEL
	DRAWN Frederick	09/JUL/04	WAFER	
	CHECKED Sam	09/JUL/04	NO.	MCS001-Pd__T
SYMBOL UNIT mm SCALE 5/1	APPROVALS			

MMT CORPORATION