



NON-RELAMPABLE LED INDICATOR LIGHT 1/2" DIA. MOUNTING HOLE

SERIES 1091M

FEATURES Solid-State Indicator Lights Complete With Built-in Current-Limiting Resistor and Rectifier Diode

Mounting: Will snap-fit into .500/.505 (12.70/12.83) dia. hole in panels .020/.100 (.51/2.54) thick. Push-on speednut SN0461 (see page 9-14) also available.

Wire Leads: No. 22 AWG (105°C) lead color: red and white 4.4/4.8 (111.8/121.9) long, stripped .43/.57 (10.9/14.5



Lens: Polycarbonate

Anode (+): Red lead

Bezel: Polished stainless steel. For black finish, add "X" after series letter(s).

Housing: White nylon

Note: See Section 5 for additional LED Indicator Lights.

SOLID STATE				
LENS COLOR	MODEL NO. (6V)	MODEL NO. (12V)	MODEL NO. (24V)	MODEL NO. (105-125 VAC*)
Red	1091M1-6V	1091M1-12V	1091M1-24V	1091M1-125VAC
Green	1091M5-6V	1091M5-12V	1091M5-24V	1091M5-125VAC
Yellow	1091M7-6V	1091M7-12V	1091M7-24V	1091M7-125VAC
Resistor (ohms)	150 INTERNAL	390 INTERNAL	1000 INTERNAL	(2) 3.9K 1/2W* (ONE INTERNAL)

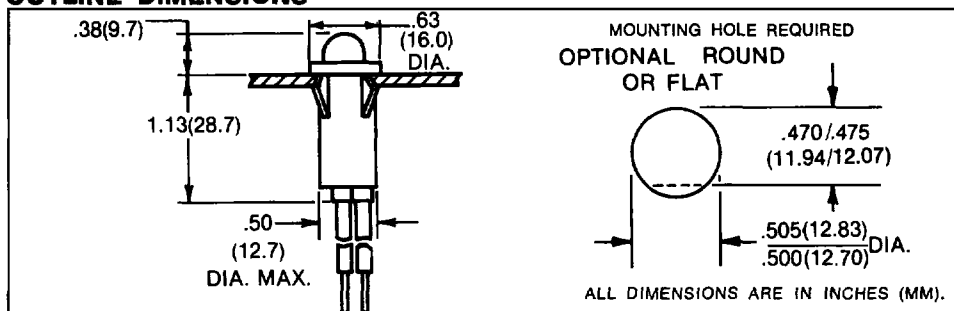
Note: All incorporates IN4004 (400 P.I.V.) rectifier diode.

*125VAC supplied with 6" white wire, stripped 1/2" with external 3.9K 1/2 watt resistor attached to one lead, covered with shrink tubing insulation.

VOLTAGE TABLE		
NOMINAL	VAC	VDC.
6V	5 to 11	3.5 to 6.5
12V	10 to 20	6 to 13.5
24V	22 to 32	12 to 24
125VAC	105-125	—

To use 24V model: Beyond 32VAC add 30 ohms per volt; beyond 24VDC add 50 ohms per volt. Use 1/2 W resistor up to 50V; 1W resistor for 50V to 70V; 2W resistor for 75V to 125V. Do not use beyond 125V.

OUTLINE DIMENSIONS



Alternate LEDs are also available in this package as standard variations.

Industrial Devices, Inc., 260 Railroad Ave., Hackensack, NJ 07601 • (201) 489-8989 • FAX: 201-489-6911