

**SPECIFICATIONS**

**Mechanical**

**Operating Force & Durability:**

100±30gf	1000000 Cycles
130±40gf	1000000 Cycles
160±50gf	1000000 Cycles
260±80gf	100000 Cycles

**Travel:** 0.25±0.1mm

**Solder ability:** 240 max. 20s min.  
260 max. 20s min. (lead free)

**Electrical**

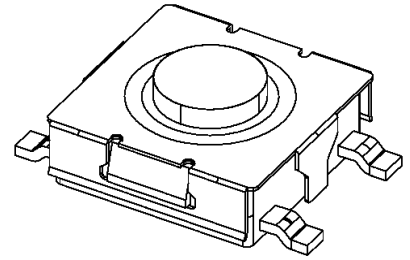
**Rating:** 20mA max, 15V DC max.  
**Contact Resistance:** 50m max.  
**Insulation Resistance:** 50M min.  
**Dielectric Withstanding Voltage:** 250V AC for 1 Minute  
**Bounce:** on Bounce 3ms max. Off Bounce 8ms max.

**Physical**

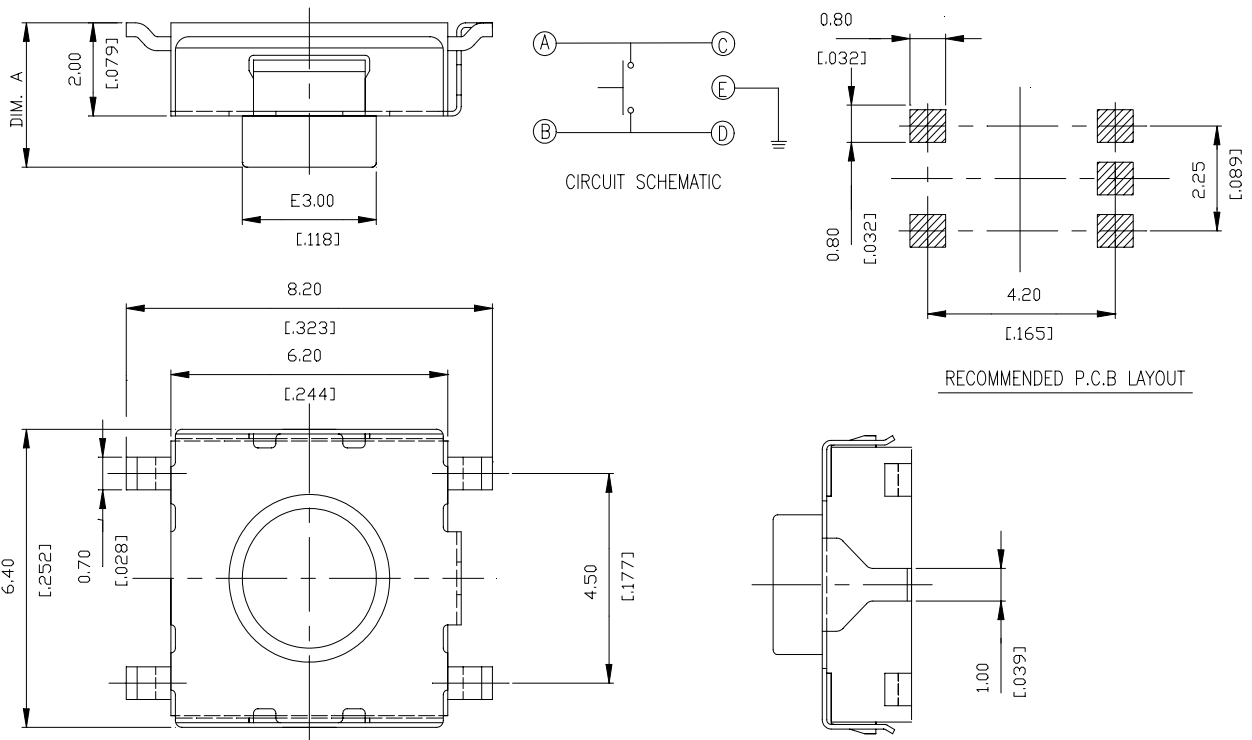
**Operating Temperatures:** -20 to +70  
**Package:** 1400PCS/Reel, 10Reels/Box

**Tact Switch**

**1BT001**  
**L SMT Type,**  
**W/O Ground**



**DRAWING**



**ORDERING INFORMATION**

PRODUCT NO.: 1BT001-1\*\*\*\*-\*\*\*\*

Switch Series: 1  
Tact Type: 0  
Product Series: 1  
Prod. Size: 1=6.2mm\*6.2mm  
Total Height: 2=2.0mm, 3=2.5mm, 4=3.1mm

Modification Code:  
None=w/o Ground  
001=w/ Ground

Plating:  
0=Standard  
L=lead free

Terminal:  
0=L SMT  
1=J SMT

Operating Force:  
1=100gf  
2=160gf  
3=260gf  
4=130gf

1BT001-1440*	130±40gf	3.1 [0.122]
1BT001-1430*	260±80gf	3.1 [0.122]
1BT001-1420*	160±50gf	3.1 [0.122]
1BT001-1410*	100±30gf	3.1 [0.122]
1BT001-1340*	130±40gf	2.5 [0.098]
1BT001-1330*	260±80gf	2.5 [0.098]
1BT001-1320*	160±50gf	2.5 [0.098]
1BT001-1310*	100±30gf	2.5 [0.098]
P/N	OPERATING FORCE	DIM. A