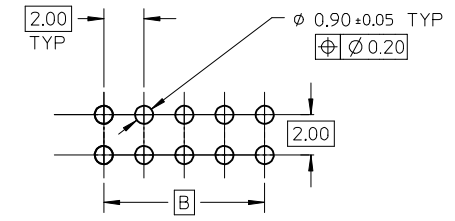
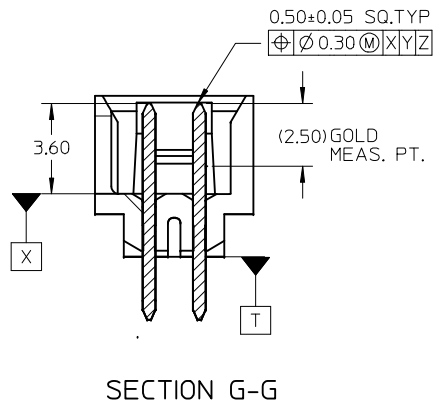
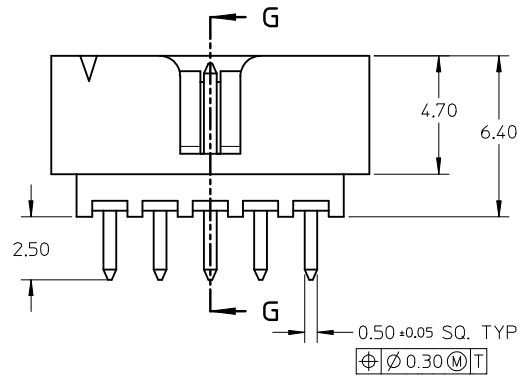


PART NO.	CKT SIZE	VOID PIN LOCATION	A	B	C	D
78246-1022	10	9	12.65	8.00	10.63	10.85
78246-1023	10	8	12.65	8.00	10.63	10.85

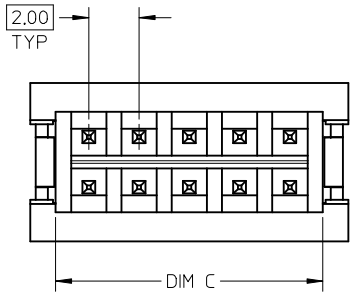


RECOMMENDED PCB PATTERN



SECTION G-G

- NOTES:
- FOR ILLUSTRATION PURPOSES, 10 CIRCUIT SIZE WAFER IS SHOWN.
 - FOR MATERIAL:
HOUSING: NYLON 46, UL94V-0, COLOR: BLACK
PIN: 0.50MM SQ. PHOSPHOR BRONZE.
 - PLATING: 0.38µm/15µm GOLD IN CONTACT AREA AND 1.88µm/75µm MIN. TIN IN SOLDER TAIL AREA OVER 1.27µm/50µm MIN. NICKEL OVERALL.
 - PRODUCT SPECIFICATION PS-78046-001 APPLIES.
 - THIS HEADER MATES WITH MOLEX:
-CRIMP RECEPTACLE HOUSING 78045 SERIES
WITH CRIMP TERMINAL, 50394 SERIES.
 - PACKAGING SPECIFICATION: PK-87831-001



ADD NOTE 6 EC NO: S2017-0022 DRW: GEMARLY 2016/07/12 CHKD: SCHEONG 2016/07/27 APPR: KHLIM 2016/07/28	QUALITY SYMBOLS $\nabla_F = 0$ $\nabla_E = 0$ $\nabla_B = 0$	GENERAL TOLERANCES (UNLESS SPECIFIED)		DIMENSION STYLE MM ONLY		SCALE NTS	DESIGN UNITS METRIC	THIRD ANGLE PROJECTION		
			mm	INCH	DRAWN BY SKANG	DATE 2006/12/11	TITLE MGRID, SHROUDED HEADER VERTICAL W/SIDE LOCKS			
		4 PLACES ± --- ± --- 3 PLACES ± --- ± --- 2 PLACES ± 0.2 ± --- 1 PLACE ± --- ± --- 0 PLACE ± ±			CHECKED BY MLONG	DATE 2006/12/15				
			ANGULAR ± 3 °		APPROVED BY SKTOH	DATE 2006/12/15	MATERIAL NO. SEE TABLE			
DRAFT WHERE APPLICABLE MUST REMAIN WITHIN DIMENSIONS	SIZE A3		THIS DRAWING CONTAINS INFORMATION THAT IS PROPRIETARY TO MOLEX INCORPORATED AND SHOULD NOT BE USED WITHOUT WRITTEN PERMISSION		DOCUMENT NO. SD-78246-001	SHEET NO. 1 OF 1				