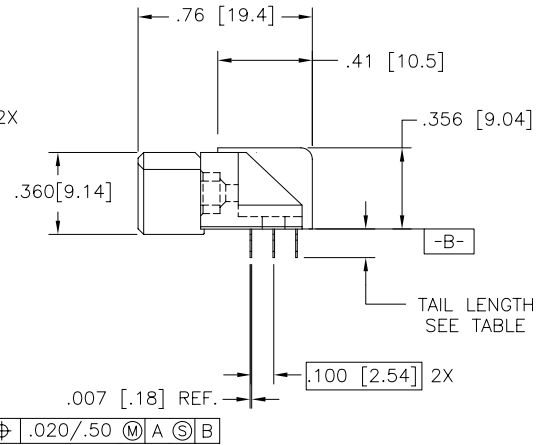
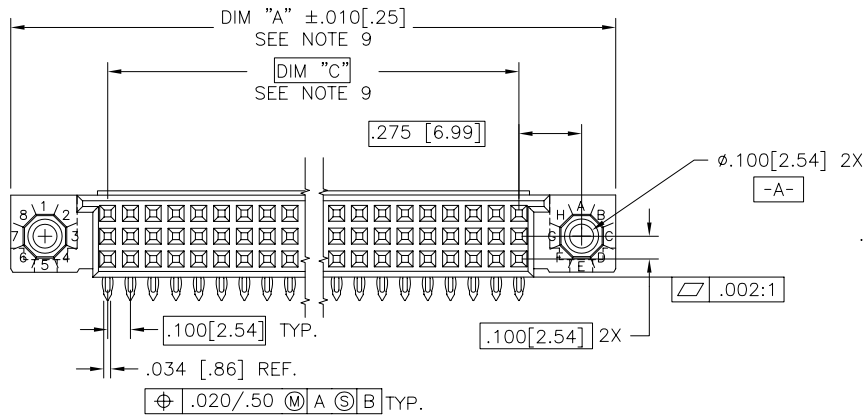
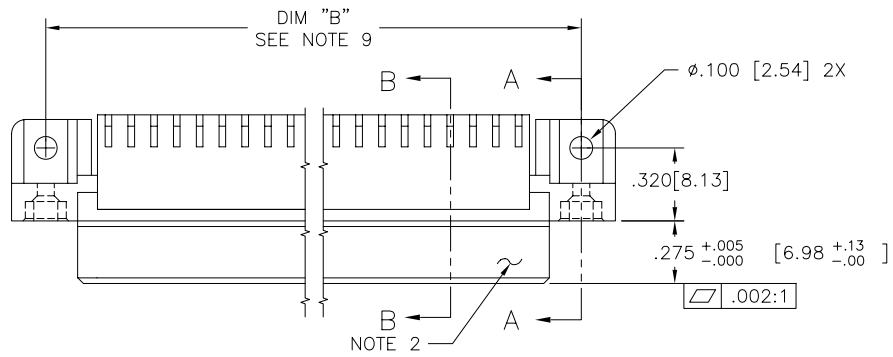


PRODUCT NUMBER  
SEE TABLE

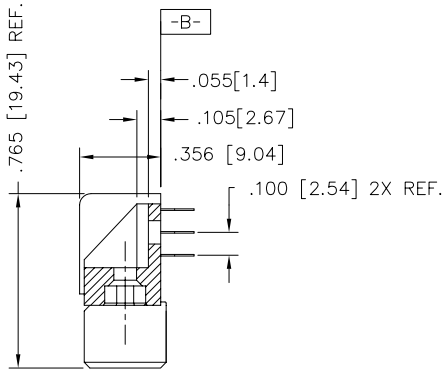


mat'l. code SEE NOTE 4		surface ISO 1302 <input checked="" type="checkbox"/>		tolerance ISO 406 ISO 1101		projection 		product family HPC	
ltr	ecn no	dr	date	tolerances unless otherwise specified				title	
K	V90001	HTB	2/15/99	angles	linear	.xx±.01/.3		3 ROW R/A RECEPT. PRESS FIT, 0 GUIDE PIN	
L	V00268	JWS	1/31/00			.xxx±.005/.13		INCH/MM	
M	V10826	JRW	2/7/01	0°±2'		.xxxx±.0020/.051		scale 1:1	
N	V05-0511	DAI	8/15/05	dr	G.PETERS	6/19/93		dwg no	
P	V05-1054	HTB	11/17/05	enrg	S.CLARK	6/19/93		sheet 1 of 4	
R	M06-0255	MHT	7/06/06	chr	S.CLARK	6/19/93		size 50645 A3	
S	M07-0099	AGS	2/08/07	appd	S.CLARK	6/19/93		type Product Customer Drawing	
sheet	revision	S	S	S	S				
index	sheet	1	2	3	4				

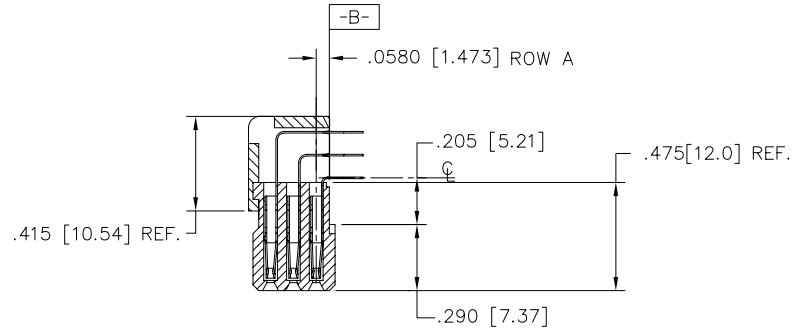


Copyright FCI

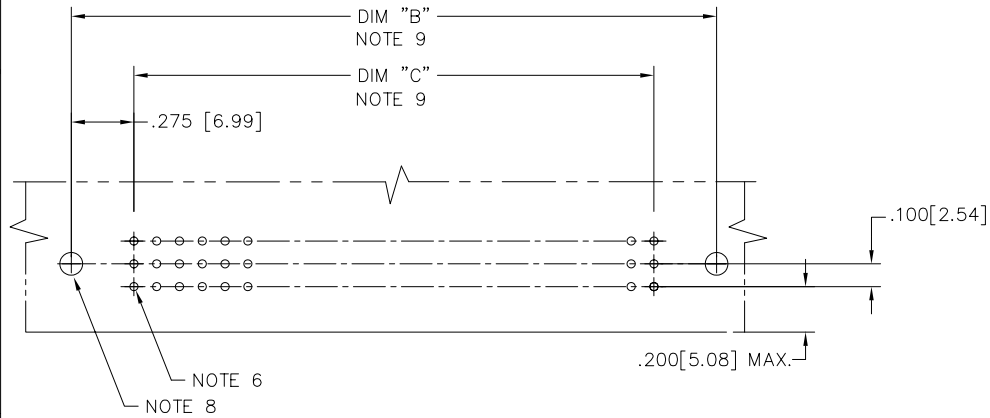
PRODUCT NUMBER  
SEE TABLE



SECTION A-A



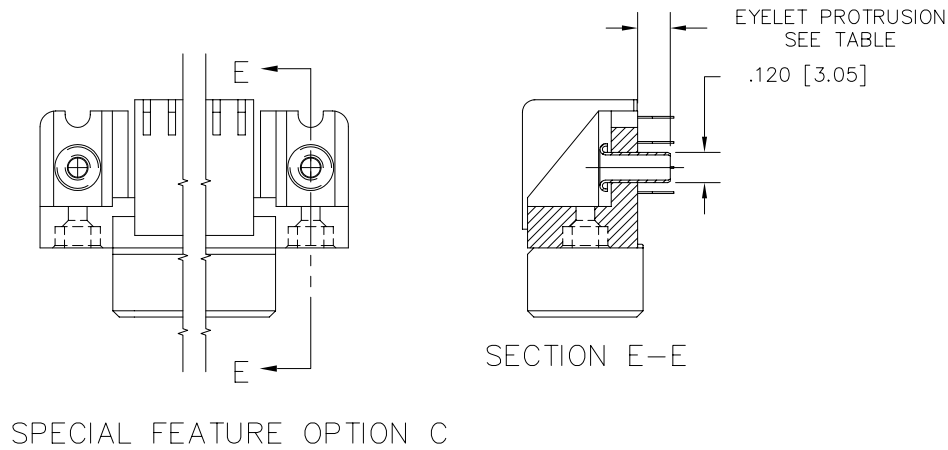
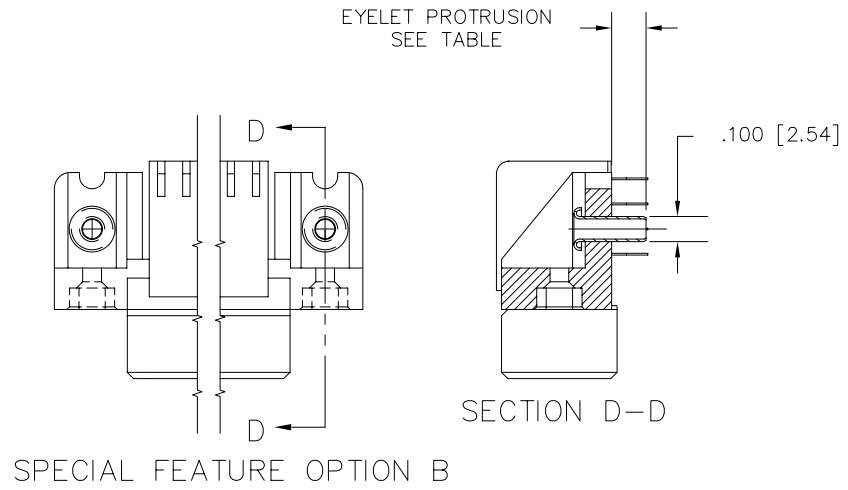
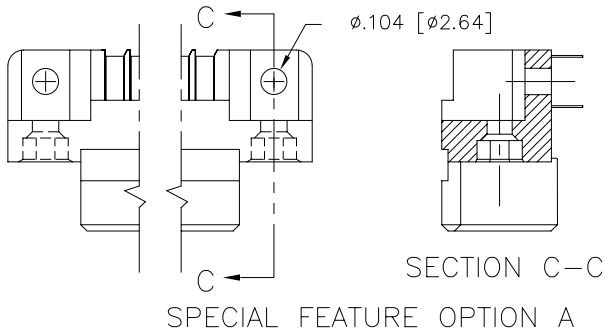
SECTION B-B



RECOMMENDED PCB LAYOUT  
(ALL HOLES LOCATED ON .100 [2.54] GRID  
UNLESS OTHERWISE SHOWN.)

mat'l. code SEE NOTE 4		surface ISO 1302 ✓		tolerance ISO 406 ISO 1101		projection ⊕		product family HPC	
ltr	ecn	no	dr	date		tolerances unless otherwise specified		title	
S						angles	linear	INCH/MM	
						0°±2'	.xx±.01/.3	3 ROW R/A RECEPT. PRESS FIT, 0 GUIDE PIN	
							.xxx±.005/.13	scale 1:1	
						dr	G.PETERS	6/19/93	dwg no
						enr	S.CLARK	6/19/93	sheet 2 of 4
						chr	S.CLARK	6/19/93	size A3
						appd	S.CLARK	6/19/93	type Product Customer Drawing
sheet index	revision sheet								

PRODUCT NUMBER  
SEE TABLE



FCJ  
FCIconnect.com

Copyright FCI

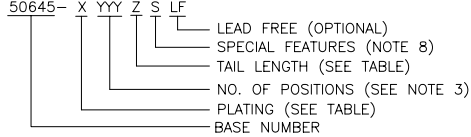
mat'l. code SEE NOTE 4		surface ISO 1302 ✓	tolerance ISO 406 ISO 1101	projection INCH/MM	product family HPC
ltr	ecn no	dr	date	title 3 ROW R/A RECEPT. PRESS FIT, 0 GUIDE PIN	
S				tolerances unless otherwise specified	scale 1:1
				angles 0°±2'	linear .xx±.01/.3 .xxx±.005/.13 .xxxx±.0020/.051
		dr	G.PETERS	6/19/93	
		enr	S.CLARK	6/19/93	
		chr	S.CLARK	6/19/93	
		appd	S.CLARK	6/19/93	
sheet index	revision sheet				dwg no 50645 sheet 3 of 4 size A3 type Product Customer Drawing

form: A3

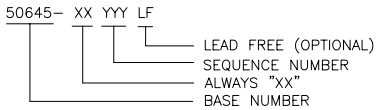
PRODUCT NUMBER NOTE 1	NUMBER OF POSITIONS NOTE 3	TAIL LENGTH ±.010/0.25	SPECIAL FEATURES SEE NOTE 8	SOLDER TAIL PLATING	CONTACT PLATING	EYELET PROTRUSION
50645-1YYYYE	YYY	.125/3.18	NONE	TIN-LEAD	30u"/.76u Au	N/A
50645-1YYYYELF	YYY	.125/3.18	NONE	TIN	30u"/.76u GXT	N/A
50645-1YYYYEA	YYY	.125/3.18	"A"	TIN-LEAD	30u"/.76u Au	N/A
50645-1YYYYEALF	YYY	.125/3.18	"A"	TIN	30u"/.76u GXT	N/A
50645-1YYYYEB	YYY	.125/3.18	"B"	TIN-LEAD	30u"/.76u Au	.137/3.48
50645-1YYYYEBLF	YYY	.125/3.18	"B"	TIN	30u"/.76u GXT	.137/3.48
50645-1YYYYEC	YYY	.125/3.18	"C"	TIN-LEAD	30u"/.76u Au	.115/2.92
50645-1YYYYECLF	YYY	.125/3.18	"C"	TIN	30u"/.76u GXT	.115/2.92
50645-1YYYYF	YYY	.145/3.68	NONE	TIN-LEAD	30u"/.76u Au	N/A
50645-1YYYYFLF	YYY	.145/3.68	NONE	TIN	30u"/.76u GXT	N/A
50645-1YYYYFA	YYY	.145/3.68	"A"	TIN-LEAD	30u"/.76u Au	N/A
50645-1YYYYFALF	YYY	.145/3.68	"A"	TIN	30u"/.76u GXT	N/A
50645-1YYYYFC	YYY	.145/3.68	"C"	TIN-LEAD	30u"/.76u Au	.170/4.32
50645-1YYYYFCLF	YYY	.145/3.68	"C"	TIN	30u"/.76u GXT	.170/4.32

NOTES:

①. PRODUCT NUMBERING CODE



PRODUCT NUMBERING CODE FOR SELECT LOAD



②. MANUFACTURE'S LOGO, PART NUMBER, AND LOT CODE TO APPEAR ON THIS SURFACE.

③. THIS PRODUCT IS CONFIGURED IN SIZES OF 6 THRU 80 COLUMNS IN INCREMENTS OF ONE, i.e. 6, 7, 8, 9, .....79, 80.

④. MATERIAL: PRESS BLOCK - HIGH TEMP THERMOPLASTIC HOUSING: GLASS AND MINERAL FILLED HIGH TEMPERATURE THERMOPLASTIC, FLAME RETARDANT PER UL94V-0. COLOR-BLACK CONTACT: BeCu

5. PLATING:  
CONTACT AREA: 30μ"/0.76 μm Au OR 30μ"/0.76μm GXT (FOR LEAD-FREE OPTION)  
TAILS: EITHER TIN OR TIN LEAD, SEE TABLE.

⑥. DRILLED HOLE DIA OF .0453±.0010 [1.151±0.025] FINISHED TO .0400±.0030 [1.016±0.076] BY PLATING SnPb OR OTHER PLATING .0003 [0.008] TO .0006 [0.015] THICK WITH A COPPER UNDERPLATE AS NEEDED.

7. INFORMATION DOCUMENT: FOR PCB STAY-AWAY ZONE, SEE TA-0954.

⑧. SPECIAL FEATURES:

- = IF NO SPECIAL FEATURE CODE IS SELECTED, CONNECTOR WILL APPEAR AS SHOWN. PCB MOUNTING HOLE DIMENSION TO BE  $\phi.120\pm.003$  [3.05±0.07]

"A" = IF SPECIFIED, CONNECTOR WILL APPEAR AS SHOWN ON SHEET 3. PCB MOUNTING HOLE DIMENSION TO BE  $\phi.100\pm.003$  [2.54±0.07].

"B" = IF SPECIFIED, CONNECTOR WILL HAVE PRE-INSTALLED EYELET FOR P.C.B. ATTACHMENT IN A  $\phi.100\pm.003$  [2.54±0.07] MOUNTING HOLE. SEE SHEET 3. (AVAILABLE IN "E" TAIL LENGTH. ONLY).

"C" = IF SPECIFIED, CONNECTOR WILL HAVE PRE-INSTALLED EYELET FOR P.C.B. ATTACHMENT IN A  $\phi.120\pm.003$  [3.05±0.07] MOUNTING HOLE. SEE SHEET 3.

⑨. DIMENSION "A" CALCULATION =  $.100 (2.54) \times \text{NO. OF COLUMNS} + .75 (19.1)$   
DIMENSION "B" CALCULATION =  $.100 (2.54) \times \text{NO. OF COLUMNS} + .450 (11.43)$   
DIMENSION "C" CALCULATION =  $.100 (2.54) \times \text{NO. OF COLUMNS} - .100 (2.54)$

10. ALL POSITIONS ARE LOADED EXCEPT FOR -XXXXY ASSEMBLIES WHICH HAVE SELECTIVE LOADING.

11. THIS PRODUCT (WITH "LF" SUFFIX) MEETS EUROPEAN UNION DIRECTIVES AND OTHER COUNTRY REGULATIONS AS DESCRIBED IN GS-22-008.

12. THIS HOUSING WILL WITHSTAND EXPOSURE TO 260°C PEAK TEMPERATURE FOR 10-30 SECONDS IN A CONVECTION, INFRA-RED OR VAPOR PHASE REFLOW OVEN.

mat'l. code SEE NOTE 4		surface ISO 1302 ✓	tolerance ISO 406 ISO 1101	projection 	product family HPC
ltr	ecn no	dr	date	tolerances unless otherwise specified	title
S				angles linear .xx±.01/.3 .xxx±.005/.13 .xxxx±.0020/.051	INCH/MM 3 ROW R/A RECEPT. PRESS FIT, 0 GUIDE PIN
				0°±2'	scale 1:1
		dr	G.PETERS	6/19/93	dwg no
		enr	S.CLARK	6/19/93	sheet 4 of 4
		chr	S.CLARK	6/19/93	size 50645 A3
		appd	S.CLARK	6/19/93	type Product Customer Drawing
sheet index	revision sheet				