

2SC4115S

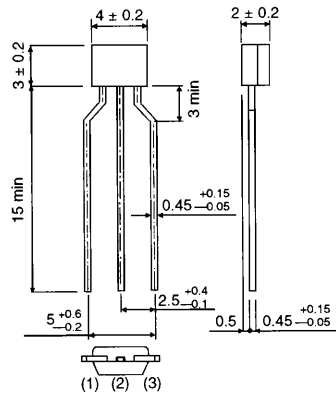
Transistor, NPN

Features

- available in SPT (SC-72) package
- low collector saturation voltage, typically $V_{CE(sat)} = 0.24 \text{ V}$ at $I_C/I_B = 2 \text{ A}/0.1 \text{ A}$
- excellent current-to-gain characteristics

Dimensions (Units : mm)

2SC4115S (SPT)



- (1) Emitter
(2) Collector
(3) Base

Absolute maximum ratings ($T_a = 25^\circ\text{C}$)

Parameter	Symbol	Limits	Unit	Conditions
Collector-to-base voltage	V_{CBO}	40	V	
Collector-to-emitter voltage	V_{CEO}	20	V	
Emitter-to-base voltage	V_{EBO}	6	V	
Collector current	I_C	2	A	
	I_{CP}	5	A	Single pulse, $P_W = 10 \text{ ms}$
Collector dissipation	P_C	0.4	W	
Junction temperature	T_j	150	$^\circ\text{C}$	
Storage temperature	T_{stg}	-55 ~ +150	$^\circ\text{C}$	