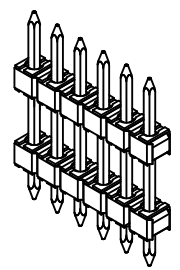
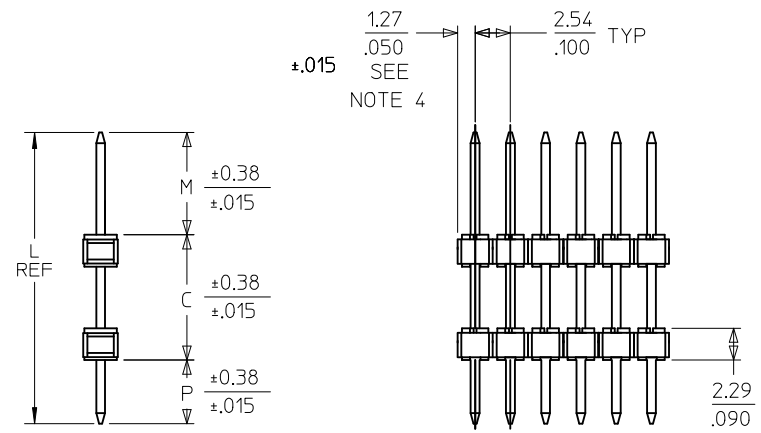
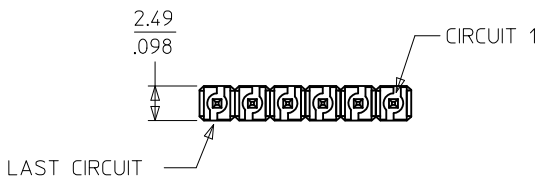
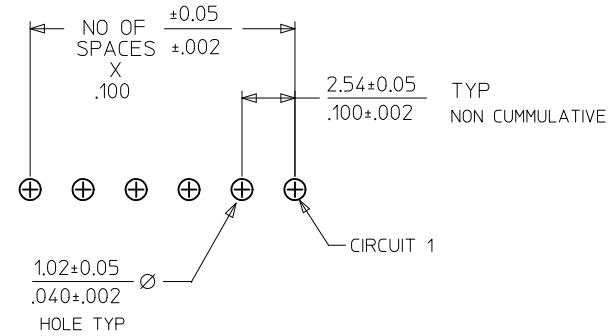


NOTES:

- MATERIAL: HOUSING: 30% GLASS FILLED NYLON 46, COLOR: BLACK  
PIN: 0.64/.025 SQ PIN: PHOSPHOR BRONZE
- FINISH: FOR ADDITIONAL PLATING INFORMATION SEE SDES-88.  
(154)- OVERALL TIN: 0.00254/.000100 MIN. OVER NICKEL: 0.00127/.000050 MIN. APPEARANCE:BRIGHT  
(208)- SELECT GOLD: 0.00038/.000015 MIN. SELECT TIN: 0.00254/.000100 MIN. WITH OVERALL NICKEL UNDERPLATE: 0.00127/.000050 MIN.  
(222)- OVERALL TIN: 0.00254/.000100 MIN. OVER NICKEL: 0.00127/.000050 MIN. APPEARANCE:MATT  
(228)- SELECT GOLD: 0.00076/.000030 MIN. SELECT TIN: .000100/0.00254 MIN. WITH OVERALL NICKEL UNDERPLATE: 0.00127/.000050 MIN. \*COMPLIANT TO RoHS  
\*THE PRIMARY SHIPPING CARTON WILL BE LABELED DIRECTIVE 2002/95/EC AND ELV ANNEX II OF DIRECTIVE 2000/53/EC, AND CARTONS WITHOUT THIS LABEL MAY CONTAIN PRODUCT WITH TIN-LEAD PLATING.
- PRODUCT SPECIFICATION: NONE
- PACKAGING INFORMATION: PK-40873-0041.
- PARTS ARE NOT STACKABLE ON 2.54/.100 CENTERS

PCB LAYOUT: COMPONENT SIDE  
RECOMMENDED PCB THICKNESS: 1.57/.062



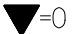
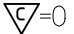
6 CKT ISO SHOWN FOR REF ONLY

REVISED DWG EC NO: S2009-00009 DRWN:CD CH'KD: APPR:MLONG	2011/03/10 2011/06/02	QUALITY SYMBOLS ▽=0 ◁=0	GENERAL TOLERANCES (UNLESS SPECIFIED)		DIMENSION STYLE	SCALE	DESIGN UNITS	THIRD ANGLE PROJECTION	
			mm	INCH	MM/IN	NTS	INCH		
N	REV	DESCRIPTION	4 PLACES	± ---	± ---	DRAWN BY	DATE	TITLE	
			3 PLACES	± ---	± .010	SAMIEC	2002/10/10	CUSTOM HEADER .100/(2.54) CENTERLINE BREAKAWAY SINGLE/DUAL	
			2 PLACES	± 0.25	± ---	CHECKED BY	DATE		
			1 PLACE	± ---	± ---	SAMIEC	2002/10/10		
			ANGULAR ±1/2°			APPROVED BY	DATE		
			DRAFT WHERE APPLICABLE MUST REMAIN WITHIN DIMENSIONS			MARGULIS	2002/10/10		
					SIZE	MATERIAL NO.	DOCUMENT NO.	SHEET NO.	
					A3	SEE TABLE	SD-68304-001	1 OF 4	
			THIS DRAWING CONTAINS INFORMATION THAT IS PROPRIETARY TO MOLEX INCORPORATED AND SHOULD NOT BE USED WITHOUT WRITTEN PERMISSION						

	10	9	8	7	6	5	4	3	2	1
	MATERIAL NO	PLT REF	DIM L	DIM M	DIM C	DIM P	CKT SIZE	VOID CKT #	KINKED PIN	PACK PER
F	68304-1010	208	.740 18.80	.160 4.06	.420 10.67	.160 4.06	2	NONE	NONE	PK-40873-0041
	68304-1019	154	.775 19.69	.137 3.48	.500 12.70	.138 3.50	2	NONE	NONE	PK-40873-0041
	68304-1026	208	.830 21.08	.240 6.10	.470 11.94	.120 3.05	2	NONE	NONE	PK-40873-0041
	68304-1038	154	.475 12.06	.110 2.79	.250 6.35	.115 2.92	2	NONE	NONE	PK-40873-0041
	68304-1043	222	.490 12.45	.120 3.05	.250 6.35	.120 3.05	2	NONE	NONE	PK-40873-0041
	68304-1022	222	.670 17.02	.310 7.87	.260 6.60	.100 2.54	3	NONE	NONE	PK-40873-0041
E	68304-1023	154	.830 21.08	.150 3.81	.571 14.48	.110 2.79	3	NONE	NONE	PK-40873-0041
	68304-1034	154	.630 16.00	.110 2.79	.410 10.41	.110 2.79	3	NONE	NONE	PK-40873-0041
	68304-1037	154	.475 12.06	.110 2.79	.250 6.35	.115 2.92	3	NONE	NONE	PK-40873-0041
	68304-1035	154	.720 18.29	.110 2.79	.500 12.70	.110 2.79	4	NONE	NONE	PK-40873-0041
	68304-1040	154	.635 16.13	.107 2.72	.420 10.67	.108 2.74	4	NONE	NONE	PK-40873-0041
	68304-1041	154	.540 13.72	.107 2.72	.325 8.26	.108 2.74	4	NONE	NONE	PK-40873-0041
D	68304-1050	208	.900 22.86	.2435 11.05	.340 8.64	.125 3.18	4	NONE	NONE	PK-40873-0041
	68304-0043	222	1.230 31.24	.120 3.05	1.000 25.40	.110 2.79	4	NONE	NONE	PK-40873-0041
	68304-1007	222	.895 22.73	.319 8.10	.250 6.35	.326 8.28	5	NONE	NONE	PK-40873-0041
	68304-1020	154	.720 18.29	.236 6.00	.370 9.40	.114 2.90	5	NONE	NONE	PK-40873-0041
	68304-1027	228	1.500 38.10	.395 10.03	1.015 25.78	.090 2.29	5	NONE	NONE	TRAY PACKAGING
	68304-1047	222	.550 13.97	.079 2.01	.392 9.96	.079 2.01	5	NONE	NONE	PK-40873-0041
C	68304-1016	154	.765 19.43	.240 6.10	.415 10.54	.110 2.79	6	NONE	NONE	PK-40873-0041
	68304-1033	154	1.130 28.70	.354 8.99	.619 15.72	.157 3.99	6	NONE	NONE	PK-40873-0041

REVISED DWG EC NO: S2011-0839 DRWN:CD CHKD: APPR:MLONG REV	2011/03/10 2011/06/02	QUALITY SYMBOLS ▽=0 ◻=0	GENERAL TOLERANCES (UNLESS SPECIFIED)		DIMENSION STYLE MM/IN		SCALE NTS	DESIGN UNITS INCH	THIRD ANGLE PROJECTION		
				mm	INCH	DRAWN BY SAMI EC	DATE 2002/10/10	TITLE CUSTOM HEADER .100/(2.54) CENTERLINE BREAKAWAY SINGLE/DUAL MOLEX INCORPORATED			
			4 PLACES	± ---	± ---	CHECKED BY SAMI EC	DATE 2002/10/10				
3 PLACES	± ---	± .010	APPROVED BY MARGULIS	DATE 2002/10/10							
			2 PLACES	± 0.25	± ---	ANGULAR ± 1/2°		MATERIAL NO. SEE TABLE	DOCUMENT NO. SD-68304-001	SHEET NO. 2 OF 4	
			1 PLACE	± ---	± ---	DRAFT WHERE APPLICABLE MUST REMAIN WITHIN DIMENSIONS		THIS DRAWING CONTAINS INFORMATION THAT IS PROPRIETARY TO MOLEX INCORPORATED AND SHOULD NOT BE USED WITHOUT WRITTEN PERMISSION			

10	9	8	7	6	5	4	3	2	1	
EDP NO	MATERIAL NO	PLT REF	DIM L	DIM M	DIM C	DIM P	CKT SIZE	VOID CKT #	KINKED PIN	PACK PER
-	68304-0068	222	.1230 31.24	.120 3.05	1.000 25.40	.110 2.79	7	2.4.6	NONE	PK-40873-0041
-	68304-1004	222	.980 24.89	.120 3.05	.750 19.05	.110 2.79	7	2.4.6	NONE	PK-40873-0041
-	68304-1006	208	1.035 26.29	.279 7.09	.477 12.12	.279 7.09	7	NONE	NONE	PK-40873-0041
-	68304-1005	222	.980 24.89	.120 3.05	.750 19.05	.110 2.79	8	NONE	NONE	PK-40873-0041
-	68304-1021	154	.720 18.29	.236 6.00	.370 9.40	.114 2.90	8	NONE	NONE	PK-40873-0041
-	68304-0042	222	1.230 31.24	.120 3.05	1.000 25.40	.110 2.79	8	NONE	NONE	PK-40873-0041
-	68304-1048	154	.730 18.54	.090 2.29	.550 13.97	.090 2.29	9	NONE	NONE	PK-40873-0041
-	68304-1013	228	.650 16.51	.230 5.84	.300 7.62	.120 3.05	10	NONE	NONE	PK-40873-0041
-	68304-1025	154	1.200 30.48	.450 11.43	.640 16.26	.110 2.79	10	NONE	NONE	TRAY PACKAGING
-	68304-1039	154	1.065 27.05	.375 9.52	.312 7.92	.378 9.60	12	NONE	NONE	PK-40873-0041
22-59-3413	68304-1029	222	.935 23.75	.325 8.26	.500 12.70	.110 2.79	13	NONE	NONE	PK-40873-0041
-	68304-1045	222	.790 20.07	.123 3.12	.532 13.51	.135 3.43	13	NONE	PER-SMES 42003	PK-40873-0041
-	68304-1003	222	1.900 48.26	.550 13.97	1.255 31.88	.095 2.41	14	2	NONE	TRAY PACKAGING
-	68304-1017	222	.800 20.32	.140 3.56	.520 13.21	.140 3.56	14	NONE	NONE	PK-40873-0041
-	68304-1014	228	.650 16.51	.230 5.84	.300 7.62	.120 3.05	14	NONE	NONE	PK-40873-0041
-	68304-1024	222	.980 24.89	.120 3.05	.680 17.27	.090 2.29	16	NONE	NONE	PK-40873-0041
-	68304-1015	228	.650 16.51	.230 5.84	.300 7.62	.120 3.05	16	NONE	NONE	PK-40873-0041
-	68304-1044	222	.490 12.45	.120 3.05	.250 6.35	.120 3.05	16	NONE	NONE	PK-40873-0041
-	68304-1046	222	.790 20.07	.198 5.03	.394 10.01	.198 5.03	16	NONE	NONE	PK-40873-0041

REVISED DWG EC NO: S2011-0839 DRWN:CD CHKD: APPR:MLONG	2011/03/10 2011/06/02	DESCRIPTION REV	QUALITY SYMBOLS	GENERAL TOLERANCES (UNLESS SPECIFIED)	DIMENSION STYLE	SCALE	DESIGN UNITS	THIRD ANGLE PROJECTION
			 = 0  = 0.010	mm      INCH 4 PLACES ± --- ± --- 3 PLACES ± --- ± .010 2 PLACES ± 0.25 ± --- 1 PLACE ± --- ± --- ANGULAR ± 1/2°	MM/IN	NTS	INCH	DRAWN BY      DATE SAMIEC      2002/10/10 CHECKED BY      DATE SAMIEC      2002/10/10 APPROVED BY      DATE MARGULIS      2002/10/10
N			DRAFT WHERE APPLICABLE MUST REMAIN WITHIN DIMENSIONS	SEE TABLE	MATERIAL NO.	DOCUMENT NO.	SHEET NO.	
					SIZE A3	THIS DRAWING CONTAINS INFORMATION THAT IS PROPRIETARY TO MOLEX INCORPORATED AND SHOULD NOT BE USED WITHOUT WRITTEN PERMISSION		

10	9	8	7	6	5	4	3	2	1
MATERIAL NO	PLT REF	DIM L	DIM M	DIM C	DIM P	CKT SIZE	VOID CKT #	KINKED PIN	PACK PER
68304-1028	208	.980 24.89	.480 12.19	.365 9.27	.135 3.43	20	NONE	NONE	PK-40873-0041
68304-1032	208	.850 21.59	.355 9.02	.365 9.27	.130 3.30	20	NONE	NONE	PK-40873-0041
68304-1012	222	1.030 26.16	.255 6.45	.665 16.89	.110 2.79	25	NONE	NONE	PK-40873-0041
68304-1036	222	.550 13.97	.118 2.99	.314 7.98	.118 2.99	36	NONE	NONE	PK-40873-0041

REVISED DWG EC NO: S2011-0839 DRWN:CD CHKD: APPR:MLONG 2011/03/10 2011/06/02	DESCRIPTION REV	=0 =0	GENERAL TOLERANCES (UNLESS SPECIFIED)		DIMENSION STYLE <b>MM/IN</b>		SCALE	DESIGN UNITS <b>INCH</b>	THIRD ANGLE PROJECTION		
				mm	INCH	DRAWN BY	DATE	TITLE <b>CUSTOM HEADER          .100/(2.54) CENTERLINE          BREAKAWAY SINGLE/DUAL</b>			
		4 PLACES	± ---	± ---	SAMIEC	2002/10/10					
		3 PLACES	± ---	± .010	CHECKED BY	DATE	<b>MOLEX INCORPORATED</b>				
2 PLACES	± 0.25	± ---	SAMIEC	2002/10/10							
1 PLACE	± ---	± ---	APPROVED BY	DATE	DOCUMENT NO. <b>SD-68304-001</b>						
ANGULAR ±1/2°			MARGULIS	2002/10/10							
DRAFT WHERE APPLICABLE MUST REMAIN WITHIN DIMENSIONS			MATERIAL NO. <b>SEE TABLE</b>		SHEET NO. <b>4 OF 4</b>						
			SIZE <b>A3</b>	THIS DRAWING CONTAINS INFORMATION THAT IS PROPRIETARY TO MOLEX INCORPORATED AND SHOULD NOT BE USED WITHOUT WRITTEN PERMISSION							