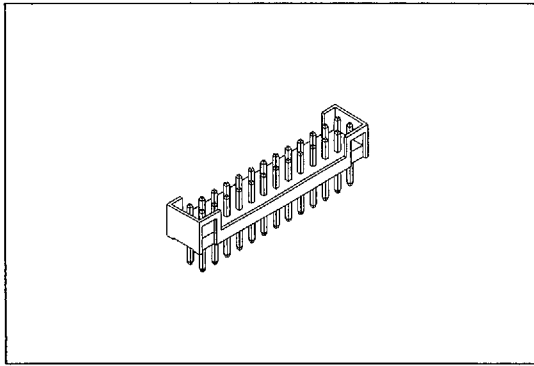


2117 SERIES

BOX HEADER 2.0mmX2.0mm(0.079"X0.079")



Material:

Housing: 30% Glass filled PBT UL94V-0.

Contacts: Brass

Plating: Gold plated: 5μ" over 50μ" nickel.

Tin plated: 150μ" over 70μ" nickel.

Electrical Characteristics:

Current Rating: 1 AMP

Insulator Resistance: 5000M Ω min. at DC 500V

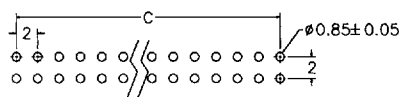
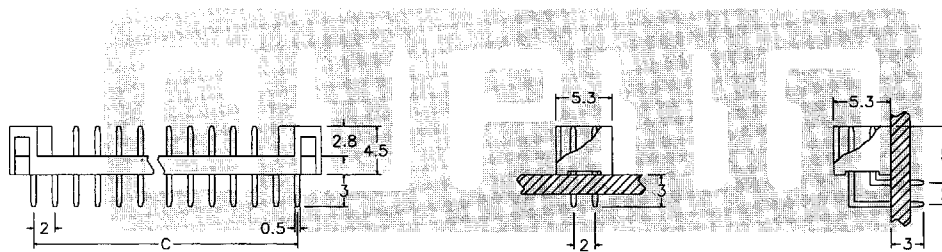
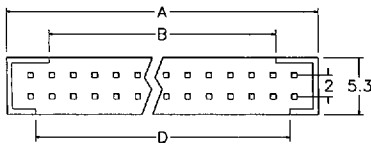
Contact Resistance: 20m Ω max. at DC 100mA

Operating Temperature: -55°C ~ +105°C

Features:

- * Shrouded to protect pin during mating/unmating.
- * 4 through 40 position available.
- * Locking feature ensure strong mating with crimp housing.

Mates with: 2141,2174.



P.C. Board Layout

Position	Dimension			
	A	B	C	D
4	5.4	1.1	2	-
6	7.4	3.1	4	-
8	9.4	5.1	6	2.4
10	11.4	7.1	8	4.4
12	13.4	9.1	10	6.4
14	15.4	11.1	12	8.4
16	17.4	13.1	14	10.4
18	19.4	15.1	16	12.4
20	21.4	17.1	18	14.4
22	23.4	19.1	20	16.4
24	25.4	21.1	22	18.4
26	27.4	23.1	24	20.4
28	29.4	25.1	26	22.4
30	31.4	27.1	28	24.4

Ordering information

2117
Series

30
No. of
Pin Count

G
G: Gold Plated
T: Tin Plated

S
S: Straight
R: Right Angle