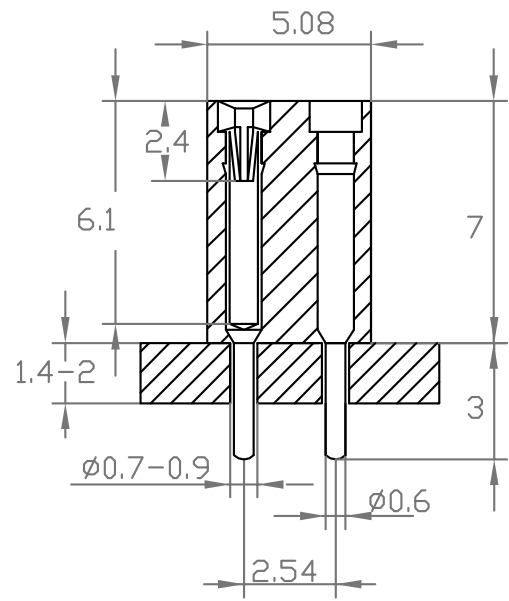
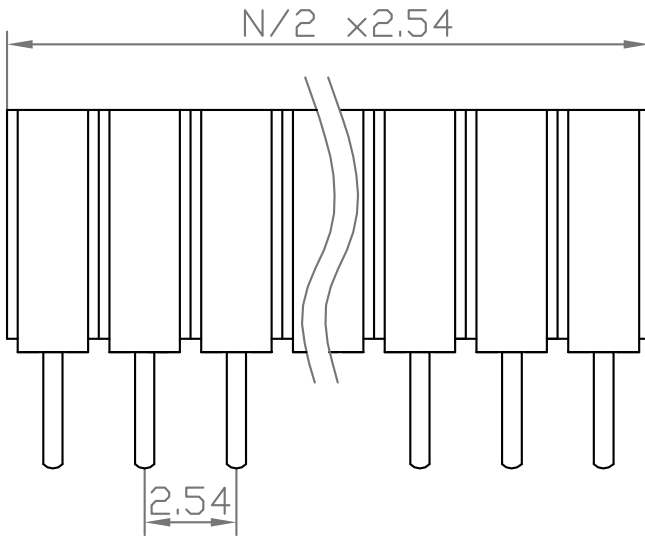


THIS DRAWING IS THE PROPERTY OF KONTEK COMATEL S.p.a. AND IT CAN NOT BE USED, REPRODUCED AND OR LOANED TO THIRD PARTIES WITHOUT THE WRITTEN PERMISSION OF KONTEK COMATEL S.p.a.



Accept square pins 0.635mm and round pins $\varnothing 0.70 \pm 0.80\text{mm}$

Platings	Sleeve	Clip
0	5 μm Sn	Gold Flash
9	5 μm Sn	0,75 μm AU

Reserved to the customer
Customer's code
Stamp and sign for approval
DATE:

QUESTO DISEGNO E' DI PROPRIETA' DELLA KONTEK COMATEL S.p.a. E NON PUO' ESSERE USATO, E/O CEDUTO A TERZI SENZA IL PERMESSO SCRITTO DELLA KONTEK COMATEL S.p.a.

A		10-01-07	Updating Platings table and Rohs Compliant	
INDEX	DATE	EDIT		
Material	Pin: screw machined brass or phosphor bronze		Sleeve: screw machined brass	UNIT:mm
			Clip: stamped beryllium-copper	
Platings	See table			Date 23-07-03
Protection	XX=N= Number of contacts (04 \div 100) (for 100 sign 00)			Design. Pandiscia M.
 ELECTRONIC CONNECTORS MANUFACTURING	Denomination		Code 87795021XX4Y0	Contr. Chiappini R.
	PCB female turned connectors 2.54x2.54mm		File: 87795021XX4Y0	
				index _____ A