

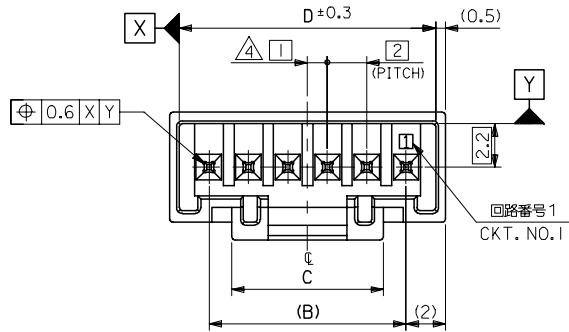
注記
NOTES

- 材料 MATERIAL
ピン : 黄銅, 銅下地半田メッキ
PIN : BRASS, Sn-Pb OVER Cu PLATED
ヘッダー : 66ナイロン (ガラス入り: 20%), UL94V-0
(色: 自然色)
HEADER : NYLON66(G.F.: 20%), UL94V-0
(COLOR: NATURAL)
- 嵌合相手 : 51216シリーズ
MATE WITH : 51216 SERIES
- ソルダーテールキックは、両端のピンのみとする。
KINK TO BE APPLIED FOR 2 PINS AT BOTH ENDS.
△ 偶数極に適用。
APPLY EVEN CIRCUIT PRODUCTS.

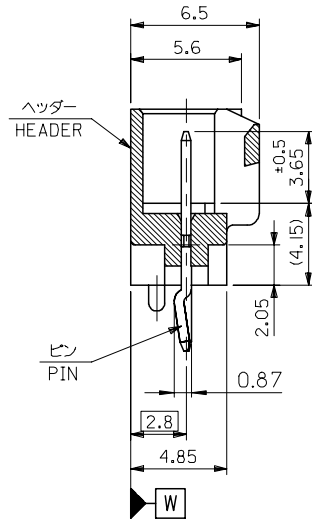
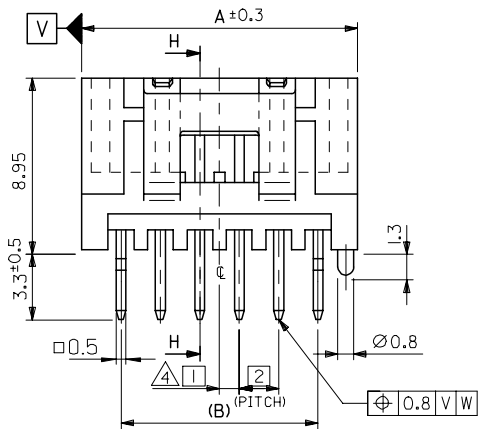
5	6	2	6	55755-0210	2
D	C	B	A	MATERIAL NO.	CKT.

55755-**10 MODEL NO.

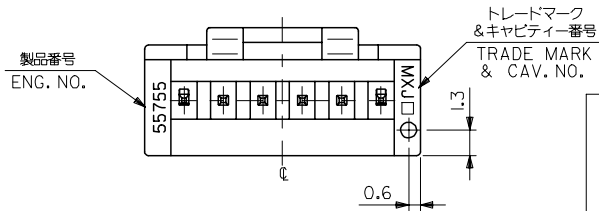
REVISED EC No: J2005-2093 DRAWN: MIMEDA 2005/02/02 CHKD: KTOYODA 2005/02/04 APPR: NUKITA 2005/02/21	GENERAL TOLERANCES (UNLESS SPECIFIED)		DIMENSION STYLE MM ONLY		SCALE 4:1	DESIGN UNITS METRIC	THIRD ANGLE PROJECTION
	10 UNDER	±0.2	DRAWN BY S. MATSUZAKI	DATE 2001/10/30	TITLE 2.0 MM WIRE TO BOARD CONN.HEADER ASSY (ST)		
	10 OVER 30 UNDER	±0.25	CHECKED BY K. KASAHARA	DATE 2002/03/01	APPROVED BY T. YAMAGUCHI		
	30 OVER	±0.3	DATE 2002/03/01	MATERIAL NO. SEE CHART			
ANGULAR ±3 °		DRAFT WHERE APPLICABLE MUST REMAIN WITHIN DIMENSIONS		DOCUMENT NO. SD-55755-004		SHEET NO. 1 OF 3	
THIS DRAWING CONTAINS INFORMATION THAT IS PROPRIETARY TO MOLEX INCORPORATED AND SHOULD NOT BE USED WITHOUT WRITTEN PERMISSION							



3極以上品



SECT H-H



31	7.7	28	32	55755-1510	15
29		26	30	-1410	14
27		24	28	-1310	13
25		22	26	-1210	12
23		20	24	-1110	11
21		18	22	-1010	10
19		16	20	-0910	9
17		14	18	-0810	8
15		12	16	-0710	7
13		10	14	-0610	6
11		8	12	-0510	5
9		6	10	-0410	4
7	7.7	4	8	55755-0310	3
D	C	B	A	MATERIAL NO.	CKT.
55755-**10				MODEL NO.	

REVISED EC NO: J2005-2093 DRAWN: MIMEDA 2005/02/02 CHKD: KTOYODA 2005/02/04 APPR: NUKITA 2005/02/21	GENERAL TOLERANCES (UNLESS SPECIFIED)		DIMENSION STYLE MM ONLY		SCALE 4:1	DESIGN UNITS METRIC		THIRD ANGLE PROJECTION	
	10 UNDER	±0.2	DRAWN BY DATE S. MATSUZAKI 2001/10/30		TITLE 2.0 MM WIRE TO BOARD CONN.HEADER ASSY (ST)				
	10 OVER 30 UNDER	±0.25	CHECKED BY DATE K. KASAHARA 2002/03/01		MOLEX INCORPORATED				
	30 OVER	±0.3	APPROVED BY DATE T. YAMAGUCHI 2002/03/01		MATERIAL NO. SEE CHART		DOCUMENT NO. SD-55755-004		SHEET NO. 2 OF 3
ANGULAR ±3 °		DRAFT WHERE APPLICABLE MUST REMAIN WITHIN DIMENSIONS		SIZE A3		THIS DRAWING CONTAINS INFORMATION THAT IS PROPRIETARY TO MOLEX INCORPORATED AND SHOULD NOT BE USED WITHOUT WRITTEN PERMISSION			

10

9

8

7

6

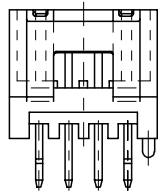
5

4

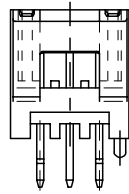
3

2

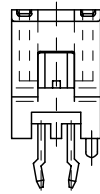
1



4 CKTS.



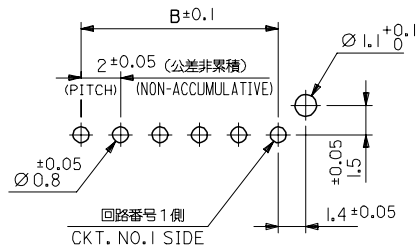
3 CKTS.



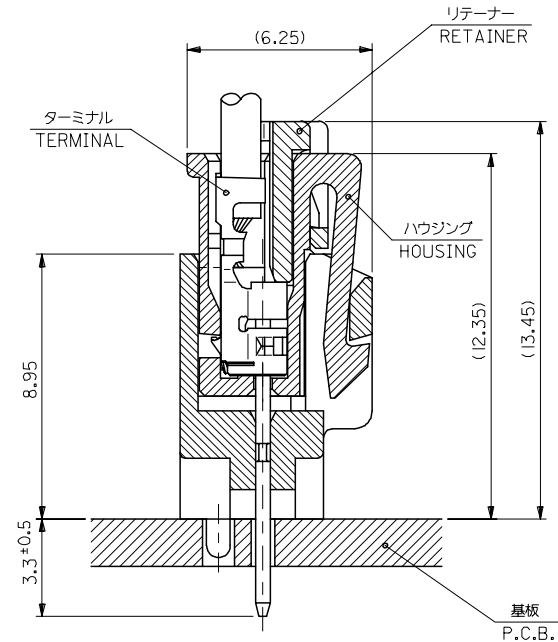
2 CKTS.

標尺レイアウト図

LAYOUT OF EACH CKTS.



基板取付穴推奨寸法 (マウント面)

 RECOMMENDED P.C.BOARD
 HOLE DIMENSION
 (MOUNTING SIDE)
 (t = 1.6)


嵌合断面図 (参考)

MATED DRAWING (REF.)

REVISED EC NO: J2005-2093 2005/02/07 DRAWN: MIMEDA 2005/02/04 CHKD: KTOYODA 2005/02/04 APPR: NUKITA 2005/02/21 DESCRIPTION	GENERAL TOLERANCES (UNLESS SPECIFIED)		DIMENSION STYLE MM ONLY		SCALE 4:1	DESIGN UNITS METRIC	THIRD ANGLE PROJECTION	
	10 UNDER	± 0.2	DRAWN BY S. MATSUZAKI		DATE 2001/10/30	TITLE 2.0 MM WIRE TO BOARD CONN.HEADER ASSY (ST)		
	10 OVER 30 UNDER	± 0.25	CHECKED BY K. KASAHARA		DATE 2002/03/01			
	30 OVER	± 0.3	APPROVED BY T. YAMAGUCHI		DATE 2002/03/01	MOLEX INCORPORATED DOCUMENT NO. SD-55755-004 SHEET NO. 3 OF 3		
	ANGULAR	± 3 °	MATERIAL NO.		SEE SHEET 1,2			
DRAFT WHERE APPLICABLE MUST REMAIN WITHIN DIMENSIONS		SIZE A3		THIS DRAWING CONTAINS INFORMATION THAT IS PROPRIETARY TO MOLEX INCORPORATED AND SHOULD NOT BE USED WITHOUT WRITTEN PERMISSION				

9

8

7

6

5

4

3

2