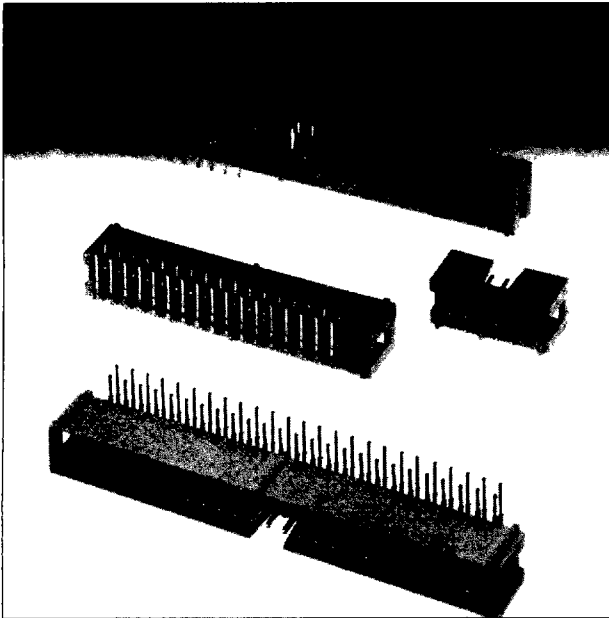


# Low Profile Box Header

# SERIES 8380



Series 8380 low profile box headers are available in industry standard sizes of 10-64 positions. They mate to Elco Series 8290 IDC sockets, as well as other industry compatible connectors. Both straight and right angle solder dip pins for PC Boards are available. The connector is shrouded on all four sides for polarization and contact protection. Polarizing keys are molded in for correct socket alignment without contact loss.

## TECHNICAL SPECIFICATIONS

**Material:** Housing – UL94V0 rated glass filled polyester, gray.  
Contact – Copper alloy.

**Contact Plating:** Selective gold over nickel plating on the mating face, reflow tin lead on IDC section.

**Contact Resistance:** Initially 10 milliohms maximum.

**Current Rating:** 1 ampere at 70°C maximum ambient.

**Voltage Rating:** 350 V DC or AC peak.

**Dielectric Withstanding Voltage:** ≥1050 V DC or AC peak.

**Insulation Resistance:** ≥1000 milliohms maximum.

**Operating Temperature:** -55°C to +105°C.

**UL File no.** E90723.

**CSA File no.** LR55749.

## Ordering Code

### EXAMPLE

00

8380

050

00

0

01

0

### Connector Code Prefix\*

- 00 – Standard Connector Assembly
- 11 – Board retention

### Series Number

#### Number of Contacts

- 010—10 position
- 014—14 position
- 016—16 position
- 020—20 position
- 026—26 position
- 034—34 position
- 040—40 position
- 050—50 position
- 060—60 position
- 064—64 position

### Color Variation

- 00 – Housing Color Gray

### Contact Variation

Note: dimensions are inches (millimeters)

Code	Description	Contact Length
0	Solder Tail-Straight Contact	.114 (2.90mm)
1	Solder Tail-Straight Contact	.145 (3.70mm)
2	Solder Tail-Right Angle Contact	.114 (2.90mm)
3	Solder Tail-Right Angle Contact	.145 (3.70mm)
9	Compliant Contact	.157 (4.00mm)

### Polarization Variation

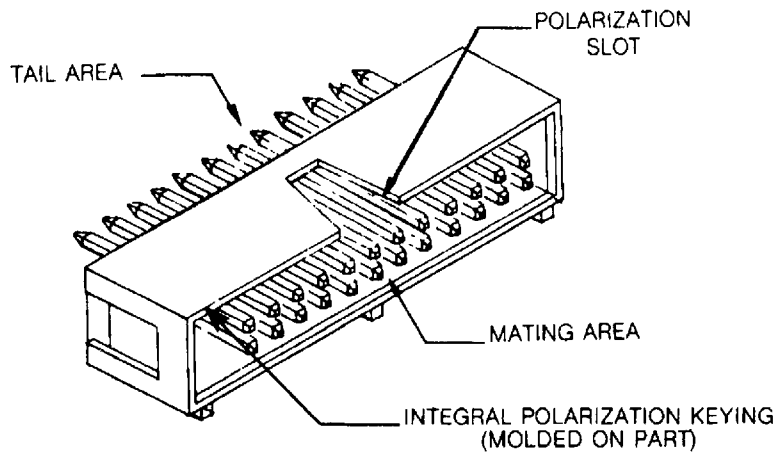
- 0 – No Polarizing
- 1 – Type A – Single height molded in polarizing key(s)
- 2 – Type B – Dual height molded in polarizing key(s)

### Plating Variation

- 01 – Standard (30μ") gold over nickel  
Solder Tail Contact  
Pressfit Compliant Contact
- 04 – Low Cost (10μ") gold  
Solder Tail Contact  
Pressfit Compliant Contact

\*When PCB retention feature is required, change Connector Code Prefix from 00 to 11.

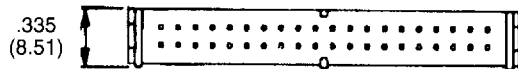
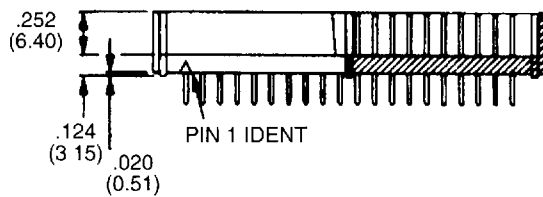
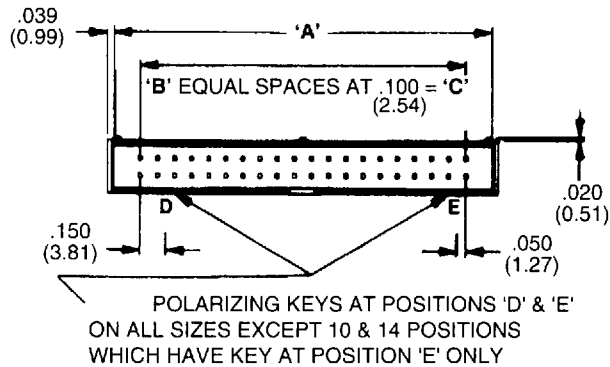
Additional plating and tail lengths available. Consult sales office for availability.



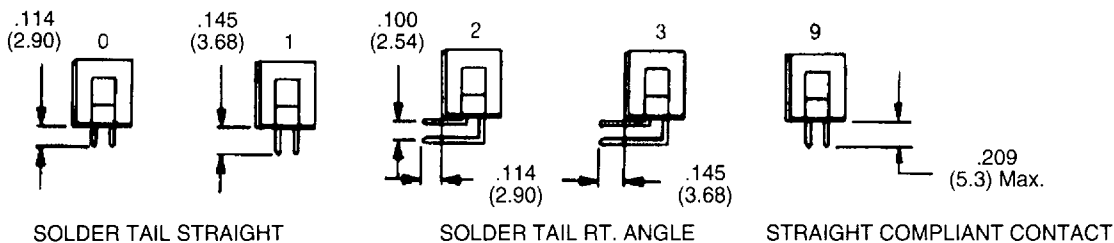
## Dimensions

inches (millimeters)

No. of Positions	A	B	C
10	.704 (17.90)	4	.400 (10.16)
14	.904 (22.96)	6	.600 (15.24)
16	1.00 (25.52)	7	.700 (17.78)
20	1.204 (30.60)	9	.900 (22.86)
26	1.504 (36.22)	12	1.200 (30.48)
34	1.904 (48.38)	16	1.600 (40.64)
40	2.204 (56.00)	19	1.900 (48.26)
50	2.704 (68.70)	24	2.400 (60.96)
60	3.204 (81.40)	29	2.900 (73.66)
64	3.404 (86.48)	31	3.100 (78.74)



## CONTACT VARIATIONS



## BOARD RETENTION FEATURE (PREFIX 11-)



WITHOUT POL-KEY      SINGLE HEIGHT POL-KEY      DUAL HEIGHT POL-KEY

END TWO (2) CONTACTS FORMED AT BOTH ENDS FOR BOARD RETENTION FEATURE



PIN HEIGHT .242/.250 (6.15/6.35)

FOR BOARD RETENTION FEATURE WHEN SPECIFIED

## RECOMMENDED PC BOARD LAYOUT

HOLE DIA. FOR SOLDER TAIL CONTACT  $.040 \pm .003$  DIA. PLATED HOLE  
 HOLE DIA. FOR PRESSFIT COMPLAINT CONTACT  $.0453 \pm .001$  DIA. DRILLED HOLE  
 HOLE DIA. FOR PRESSFIT COMPLAINT CONTACT  $.040 + .003$  - .002 DIA. PLATED HOLE

## PRINTED CIRCUIT BOARD DRILLING

