



FAST CMOS SYNCHRONOUS PRESETTABLE BINARY COUNTER

IDT54/74FCT163T/AT/CT

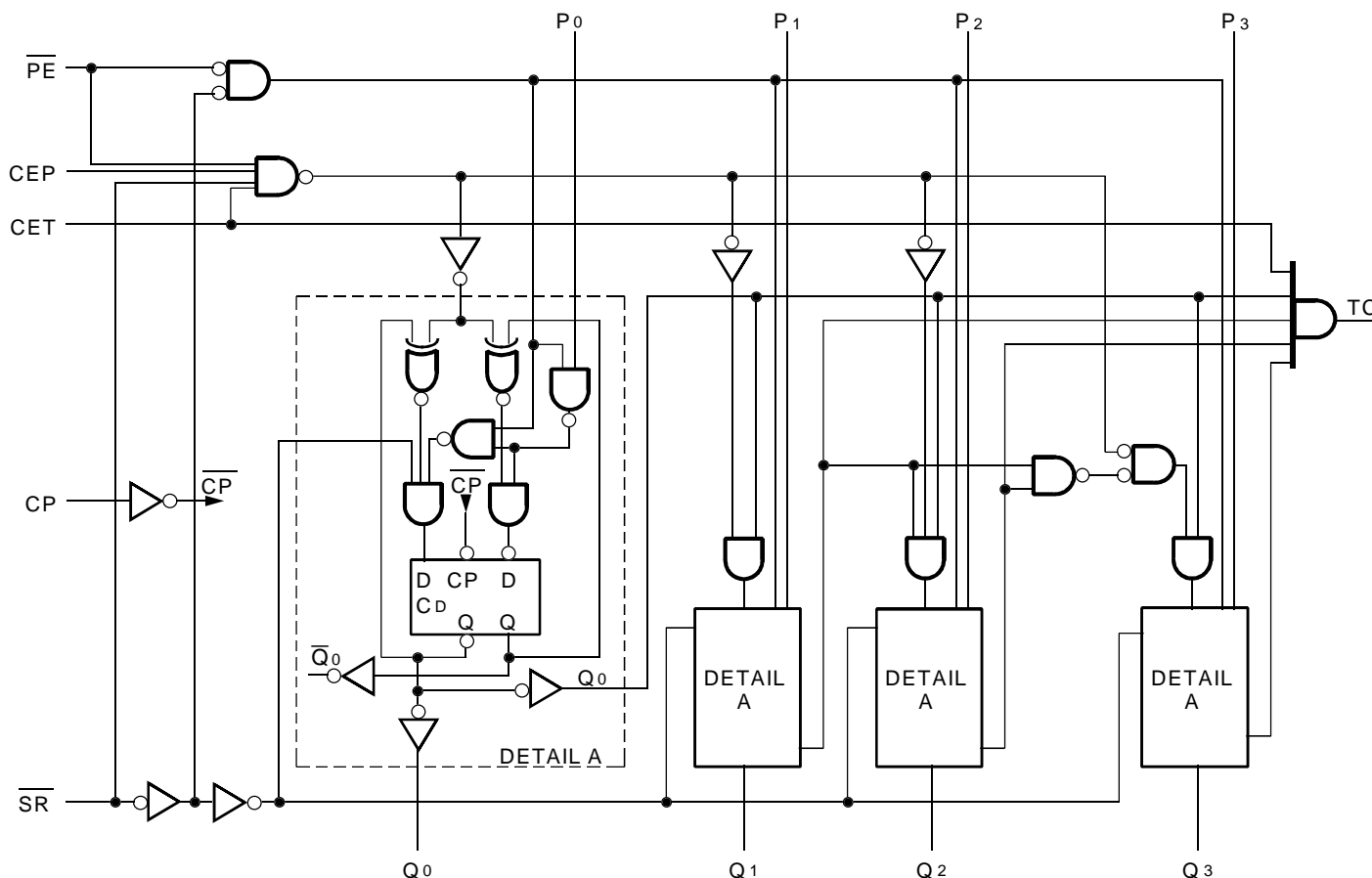
FEATURES:

- Std., A and C speed grades
- Low input and output $\leq 1\mu\text{A}$ (max.)
- CMOS power levels
- True TTL input and output compatibility
 - - $V_{OH} = 3.3\text{V}$ (typ.)
 - - $V_{OL} = 0.3\text{V}$ (typ.)
- High drive outputs (-15mA IOH, 48mA IOL)
- Meets or exceeds JEDEC standard 18 specifications
- Military product compliant to MIL-STD-883, Class B and DESC listed (dual marked)
- Power off disable outputs permit "live insertion"
- Available in the following packages:
 - Industrial: SOIC, QSOP
 - Military: CERDIP, LCC, CERPACK

DESCRIPTION:

The FCT163T is a high-speed synchronous modulo-16 binary counter built using an advanced dual metal CMOS technology. They are synchronously presettable for application in programmable dividers and have two types of count enable inputs plus a terminal count output for versatility in forming synchronous multi-stage counters. The FCT163T has Synchronous Reset inputs that override counting and parallel loading and allow the outputs to be simultaneously reset on the rising edge of the clock.

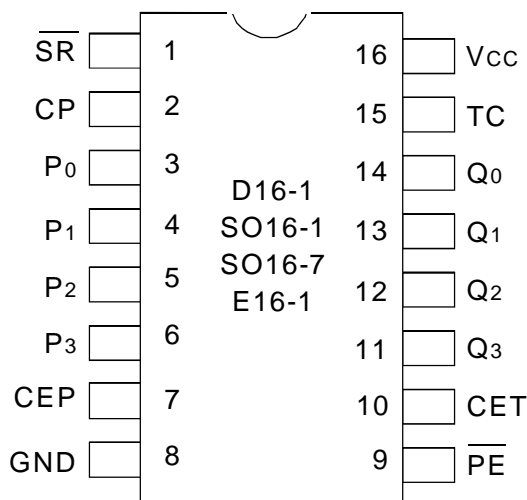
FUNCTIONAL BLOCK DIAGRAM



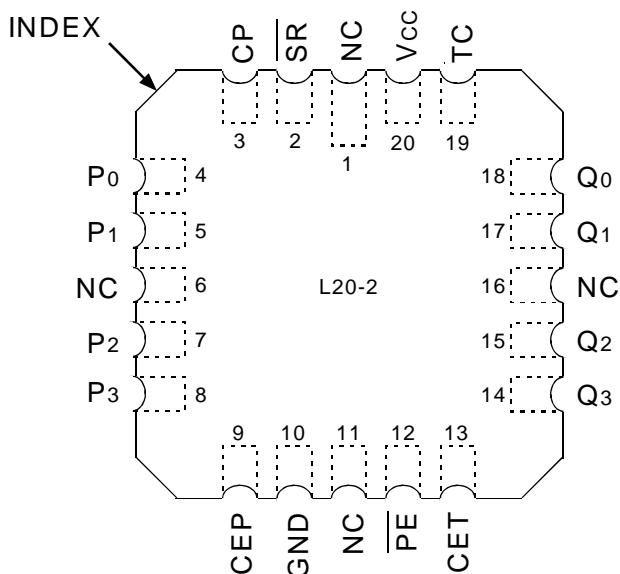
MILITARY AND INDUSTRIAL TEMPERATURE RANGES

AUGUST 2000

PIN CONFIGURATION



CERDIP/ SOIC/ QSOP/ CERPACK
TOP VIEW



LCC
TOP VIEW

ABSOLUTE MAXIMUM RATINGS⁽¹⁾

| Symbol | Rating | Max. | Unit |
|----------------------------------|--------------------------------------|------------------------------|------|
| V _{TERM} ⁽²⁾ | Terminal Voltage with Respect to GND | -0.5 to +7 | V |
| V _{TERM} ⁽³⁾ | Terminal Voltage with Respect to GND | -0.5 to V _{CC} +0.5 | V |
| T _{STG} | Storage Temperature | -65 to +150 | °C |
| I _{OUT} | DC Output Current | -60 to +120 | mA |

8T-link

NOTES:

- Stresses greater than those listed under ABSOLUTE MAXIMUM RATINGS may cause permanent damage to the device. This is a stress rating only and functional operation of the device at these or any other conditions above those indicated in the operational sections of this specification is not implied. Exposure to absolute maximum rating conditions for extended periods may affect reliability. No terminal voltage may exceed V_{CC} by +0.5V unless otherwise noted.
- Inputs and V_{CC} terminals only.
- Outputs and I/O terminals only.

CAPACITANCE (T_A = +25°C, f = 1.0MHz)

| Symbol | Parameter ⁽¹⁾ | Conditions | Typ. | Max. | Unit |
|------------------|--------------------------|-----------------------|------|------|------|
| C _{IN} | Input Capacitance | V _{IN} = 0V | 6 | 10 | pF |
| C _{OUT} | Output Capacitance | V _{OUT} = 0V | 8 | 12 | pF |

8T-link

NOTE:

- This parameter is measured at characterization but not tested.

PIN DESCRIPTION

| Pin Names | Description |
|-----------------|--|
| CEP | Count Enable Parallel Input |
| CET | Count Enable Trickle Input |
| CP | Clock Pulse Input (Active Rising Edge) |
| \overline{SR} | Synchronous Reset Input (Active LOW) |
| P0-3 | Parallel Data Inputs |
| \overline{PE} | Parallel Enable Input (Active LOW) |
| Q0-3 | Flip-Flop Outputs |
| TC | Terminal Count Output |

FUNCTION TABLE⁽¹⁾

| \overline{SR} | \overline{PE} | CET | CEP | Action on the Rising Clock Edge(s) |
|-----------------|-----------------|-----|-----|---|
| L | X | X | X | Reset (Clear) |
| H | L | X | X | Load (P _n → Q _n) |
| H | H | H | H | Count (Increment) |
| H | H | L | X | No Change (Hold) |
| H | H | X | L | No Change (Hold) |

NOTE:

- H = HIGH Voltage Level
L = LOW Voltage Level
X = Don't Care

DC ELECTRICAL CHARACTERISTICS OVER OPERATING RANGE

Following Conditions Apply Unless Otherwise Specified:

Industrial: $T_A = -40^{\circ}\text{C}$ to $+85^{\circ}\text{C}$, $V_{CC} = 5.0\text{V} \pm 5\%$; Military: $T_A = -55^{\circ}\text{C}$ to $+125^{\circ}\text{C}$, $V_{CC} = 5.0\text{V} \pm 10\%$

| Symbol | Parameter | Test Conditions ⁽¹⁾ | | Min. | Typ. ⁽²⁾ | Max. | Unit |
|----------|-----------------------------------|---|--|------|---------------------|---------|---------------|
| V_{IH} | Input HIGH Level | Guaranteed Logic HIGH Level | COM'L. ⁽⁵⁾ | 2 | — | — | V |
| | | | MIL. | 2.7 | — | — | V |
| V_{IL} | Input LOW Level | Guaranteed Logic LOW Level | | — | — | 0.8 | V |
| I_{IH} | Input HIGH Current ⁽⁴⁾ | $V_{CC} = \text{Max.}$ | $V_I = 2.7\text{V}$ | — | — | ± 1 | μA |
| I_{IL} | Input LOW Current ⁽⁴⁾ | $V_{CC} = \text{Max.}$ | $V_I = 0.5\text{V}$ | — | — | ± 1 | μA |
| I_I | Input HIGH Current ⁽⁴⁾ | $V_{CC} = \text{Max.}, V_I = V_{CC} (\text{Max.})$ | | — | — | ± 1 | μA |
| V_{IK} | Clamp Diode Voltage | $V_{CC} = \text{Min.}, I_N = -18\text{mA}$ | | — | -0.7 | -1.2 | V |
| I_{OS} | Short Circuit Current | $V_{CC} = \text{Max.}^{(3)}, V_O = \text{GND}$ | | -60 | -120 | -225 | mA |
| V_{OH} | Output HIGH Voltage | $V_{CC} = \text{Min.}$ $V_{IN} = V_{IH}$ or V_{IL} | $I_{OH} = -6\text{mA MIL}$ $I_{OH} = -8\text{mA IND}$ | 2.4 | 3.3 | — | V |
| | | | $I_{OH} = -12\text{mA MIL}$ $I_{OH} = -15\text{mA IND}$ | 2 | 3 | — | |
| V_{OL} | Output LOW Voltage | $V_{CC} = \text{Min.}$ $V_{IN} = V_{IH}$ or V_{IL} | $I_{OL} = 32\text{mA MIL}$ $I_{OL} = 48\text{mA IND}$ | — | 0.3 | 0.5 | V |
| V_H | Input Hysteresis | — | | — | 200 | — | mV |
| I_{CC} | Quiescent Power Supply Current | $V_{CC} = \text{Max.}$ $V_{IN} = \text{GND}$ or V_{CC} | | — | .01 | 1 | mA |

NOTES:

1. For conditions shown as Max. or Min., use appropriate value specified under Electrical Characteristics for the applicable device type.
2. Typical values are at $V_{CC} = 5.0\text{V}$, $+25^{\circ}\text{C}$ ambient.
3. Not more than one output should be shorted at one time. Duration of the short circuit test should not exceed one second.
4. The test limit for this parameter is $\pm 5\mu\text{A}$ at $T_A = -55^{\circ}\text{C}$.
5. Clock pin requires a minimum V_{IH} of 2.5V.

POWER SUPPLY CHARACTERISTICS

| Symbol | Parameter | Test Conditions ⁽¹⁾ | | Min. | Typ. ⁽²⁾ | Max. | Unit |
|-----------------|---|--|-------------------------------------|------|---------------------|---------------------|------------|
| ΔI_{CC} | Quiescent Power Supply Current TTL Inputs HIGH | $V_{CC} = \text{Max.}$ $V_{IN} = 3.4V^{(3)}$ | | — | 0.5 | 2 | mA |
| I_{CCD} | Dynamic Power Supply Current ⁽⁴⁾ | $V_{CC} = \text{Max.}$, Outputs Open Load Mode $CEP = CET = \overline{PE} = GND$ $\overline{SR} = V_{CC}$ One Input Toggling 50% Duty Cycle | $V_{IN} = V_{CC}$ $V_{IN} = GND$ | — | 0.15 | 0.25 | mA/ MHz |
| I_C | Total Power Supply Current ⁽⁶⁾ | $V_{CC} = \text{Max.}$, Outputs Open Load Mode $f_{CP} = 10\text{MHz}$ 50% Duty Cycle $CEP = CET = \overline{PE} = GND$ $\overline{SR} = V_{CC}$ One Bit Toggling at $f_i = 5\text{MHz}$ 50% Duty Cycle | $V_{IN} = V_{CC}$ $V_{IN} = GND$ | — | 1.5 | 3.5 | mA |
| | | | $V_{IN} = 3.4V$ $V_{IN} = GND$ | — | 2 | 5.5 | |
| | | $V_{CC} = \text{Max.}$, Outputs Open Load Mode $f_{CP} = 10\text{MHz}$ 50% Duty Cycle $CEP = CET = \overline{PE} = GND$ $\overline{SR} = V_{CC}$ Four Bits Toggling at $f_i = 5\text{MHz}$ 50% Duty Cycle | $V_{IN} = V_{CC}$ $V_{IN} = GND$ | — | 3.8 | 7.3 ⁽⁵⁾ | |
| | | | $V_{IN} = 3.4V$ $V_{IN} = GND$ | — | 5 | 12.3 ⁽⁵⁾ | |

NOTES:

- For conditions shown as Max. or Min., use appropriate value specified under Electrical Characteristics for the applicable device type.
- Typical values are at $V_{CC} = 5.0V$, $+25^\circ\text{C}$ ambient.
- Per TTL driven input ($V_{IN} = 3.4V$). All other inputs at V_{CC} or GND .
- This parameter is not directly testable, but is derived for use in Total Power Supply Calculations.
- Values for these conditions are examples of the I_{CC} formula. These limits are guaranteed but not tested.
- $I_C = I_{QUIESCENT} + I_{INPUTS} + I_{DYNAMIC}$
 $I_C = I_{CC} + \Delta I_{CC} D_{HNT} + I_{CCD} (f_{CP}/2 + f_i N_i)$
 I_{CC} = Quiescent Current
 ΔI_{CC} = Power Supply Current for a TTL High Input ($V_{IN} = 3.4V$)
 D_H = Duty Cycle for TTL Inputs High
 N_T = Number of TTL Inputs at D_H
 I_{CCD} = Dynamic Current Caused by an Input Transition Pair (HLH or LHL)
 f_{CP} = Clock Frequency for Register Devices (Zero for Non-Register Devices)
 f_i = Input Frequency
 N_i = Number of Inputs at f_i
 All currents are in milliamps and all frequencies are in megahertz.

SWITCHING CHARACTERISTICS OVER OPERATING RANGE

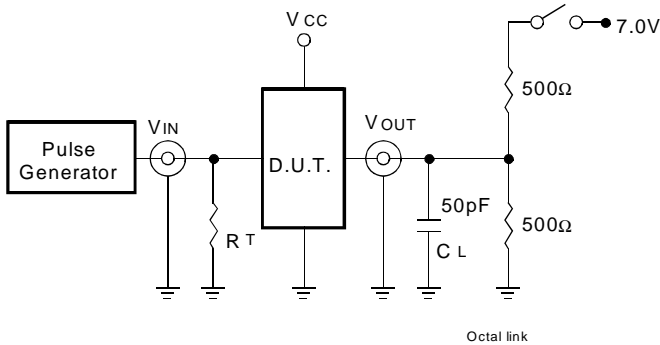
| Symbol | Parameter | Condition ⁽¹⁾ | FCT163T | | | | FCT163AT | | | | FCT163CT | | | | Unit |
|--------------------------------------|---|--|---------------------|------|---------------------|------------------|---------------------|------------------|---------------------|------------------|---------------------|------------------|---------------------|------|------|
| | | | Ind. | | Mil. | | Ind. | | Mil. | | Ind. | | Mil. | | |
| | | | Min. ⁽²⁾ | Max. | Min. ⁽²⁾ | Max. | Min. ⁽²⁾ | Max. | Min. ⁽²⁾ | Max. | Min. ⁽²⁾ | Max. | Min. ⁽²⁾ | Max. | |
| t _{PLH} t _{PHL} | Propagation Delay CP to Qn (\overline{PE} input HIGH) | C _L = 50pF R _L = 500Ω | 2 | 11 | 2 | 11.5 | 2 | 7.2 | 2 | 7.5 | 2 | 5.8 | 2 | 6.3 | ns |
| t _{PLH} t _{PHL} | Propagation Delay CP to Qn (\overline{PE} input LOW) | | 2 | 9.5 | 2 | 10 | 2 | 6.2 | 2 | 6.5 | 2 | 5.8 | 2 | 6.3 | ns |
| t _{PLH} t _{PHL} | Propagation Delay CP to TC | | 2 | 15 | 2 | 16.5 | 2 | 9.8 | 2 | 10.8 | 2 | 7.4 | 2 | 8.3 | ns |
| t _{PLH} t _{PHL} | Propagation Delay CET to TC | | 1.5 | 8.5 | 1.5 | 9 | 1.5 | 5.5 | 1.5 | 5.9 | 1.5 | 5.2 | 1.5 | 5.6 | ns |
| t _{SU} | Set-up Time HIGH or LOW P _n to CP | | 5 | — | 5.5 | — | 4 | — | 4.5 | — | 4 | — | 4.5 | — | ns |
| t _H | Hold Time HIGH or LOW P _n to CP | | 1.5 | — | 2 | — | 1.5 | — | 2 | — | 1.5 | — | 2 | — | ns |
| t _{SU} | Set-up Time HIGH or LOW \overline{PE} or \overline{SR} to CP | | 11.5 | — | 13.5 | — | 9.5 | — | 11.5 | — | 9.5 | — | 11.5 | — | ns |
| t _H | Hold Time HIGH or LOW \overline{PE} or \overline{SR} to CP | | 1.5 | — | 1.5 | — | 1.5 | — | 1.5 | — | 1.5 | — | 1.5 | — | ns |
| t _{SU} | Set-up Time HIGH or LOW CEP ir CET to CP | | 11.5 | — | 13 | — | 9.5 | — | 11 | — | 9.5 | — | 11 | — | ns |
| t _H | Hold Time HIGH or LOW CEP ir CET to CP | | 0 | — | 0 | — | 0 | — | 0 | — | 0 | — | 0 | — | ns |
| t _w | CP Pulse Width (load) HIGH or LOW | 5 | — | 5 | — | 4 ⁽³⁾ | — | 4 ⁽³⁾ | — | 4 ⁽³⁾ | — | 4 ⁽³⁾ | — | ns | |
| t _w | CP Pulse Width (count) HIGH or LOW | 7 | — | 8 | — | 6 | — | 7 | — | 6 | — | 7 | — | ns | |

NOTES:

1. See test circuits and waveforms.
2. Minimum limits are guaranteed but not tested on Propagation Delays.
3. This limit is guaranteed but not tested.

TEST CIRCUITS AND WAVEFORMS

TEST CIRCUITS FOR ALL OUTPUTS



SWITCH POSITION

| Test | Switch |
|-----------------|--------|
| Open Drain | Closed |
| Disable Low | |
| Enable Low | |
| All Other Tests | Open |

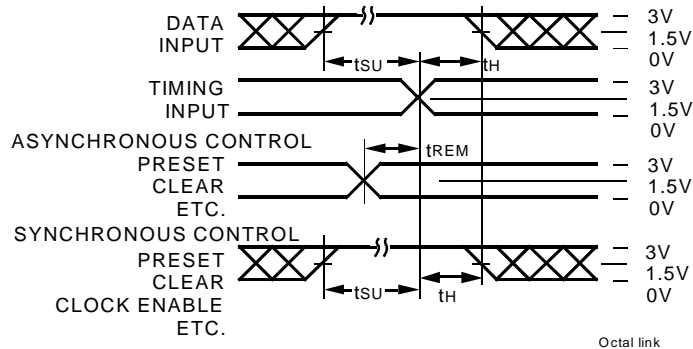
8-link

DEFINITIONS:

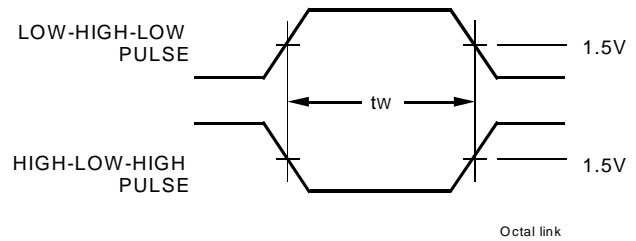
C_L = Load capacitance: includes jig and probe capacitance.

R_T = Termination resistance: should be equal to Z_{OUT} of the Pulse Generator.

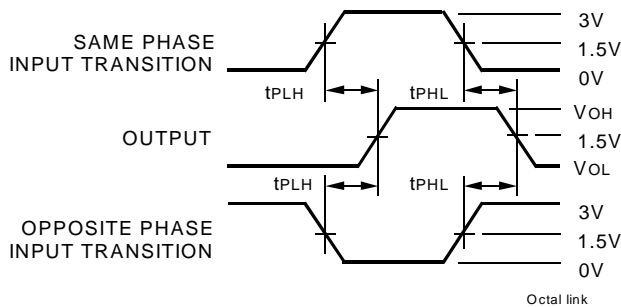
SET-UP, HOLD, AND RELEASE TIMES



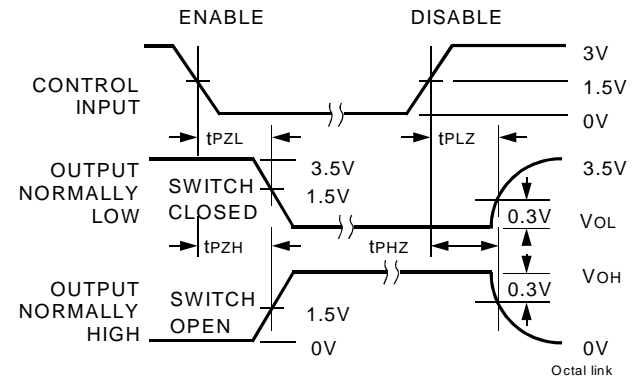
PULSE WIDTH



PROPAGATION DELAY



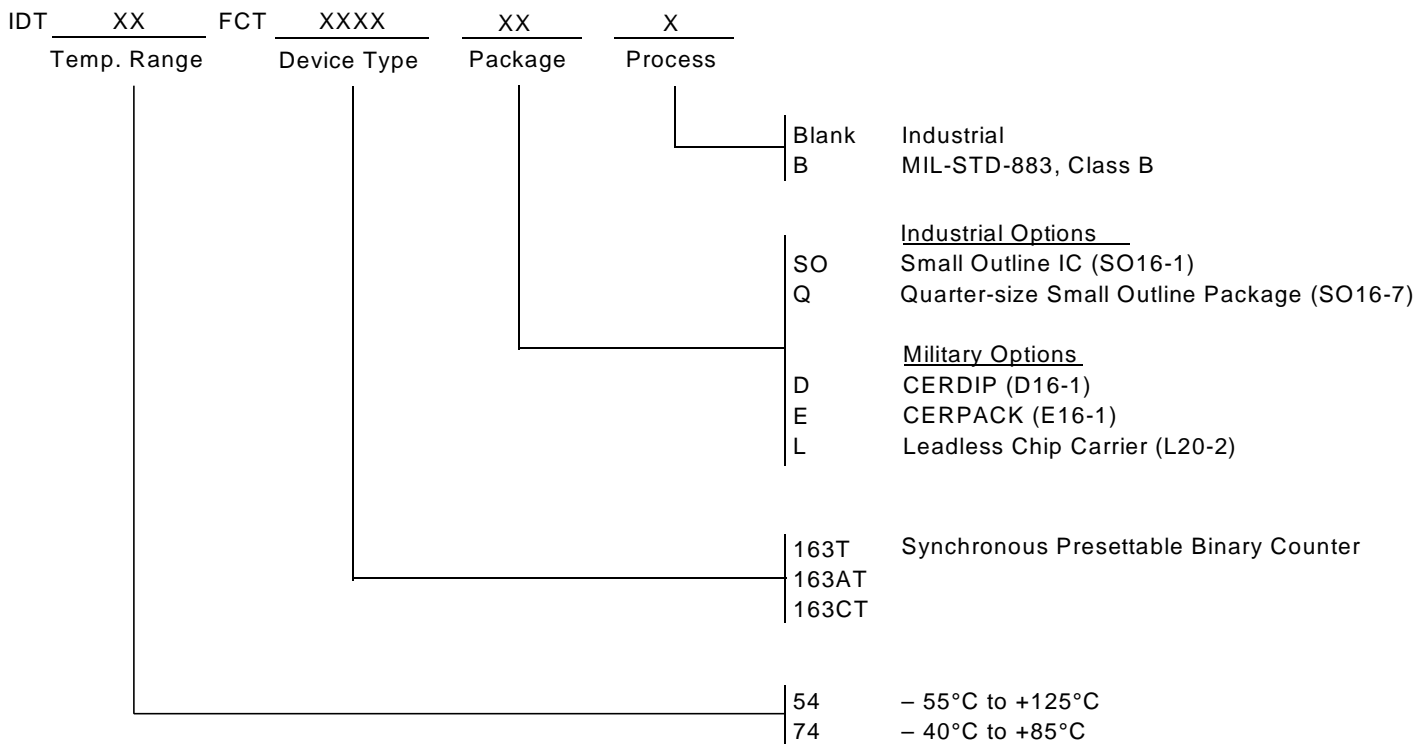
ENABLE AND DISABLE TIMES



NOTES:

- Diagram shown for input Control Enable-LOW and input Control Disable-HIGH
- Pulse Generator for All Pulses: Rate $\leq 1.0\text{MHz}$; $t_F \leq 2.5\text{ns}$; $t_R \leq 2.5\text{ns}$

ORDERING INFORMATION



CORPORATE HEADQUARTERS
 2975 Stender Way
 Santa Clara, CA 95054

for SALES:
 800-345-7015 or 408-727-6116
 fax: 408-492-8674
 www.idt.com*

*To search for sales office near you, please click the sales button found on our home page or dial the 800# above and press 2.
 The IDT logo is a registered trademark of Integrated Device Technology, Inc.