

HI-SUPER BRIGHT LED

Stanley has the following Hi-super bright LEDs in its line. The H-series and the KR-series represent the world's most advanced technology by adopting GaAlAs-DH structure. The H□□ 5066X series features Hi-super bright red, pure green, yellow and orange LEDs.

▼CHARACTERISTICS BY COLOR

Ta=25°C

Part No.	Material	Emitted Color	Absolute Maximum Ratings							Electro-Optical Characteristics								
			Power Dissipation	Forward Current	Peak Forward Current	Reverse Voltage	Operating Temp.	Storage Temp.	%1 Derating	Forward Voltage V _f			Reverse Current I _r		Capacitance	Wavelength		
			P _d	I _F	I _{F.M.}	V _R	T _{opr}	T _{stg}	I _F	TYP.	MAX.	I _F	MAX.	V _R	C _o	Peak λ _p TYP.	Special Line Half Width λ _{1/2} TYP.	I _F
H/KR	GaAlAs	Red	125	50	300	4	-30~+85	-30~+100	0.67	1.8	2.5	20	100	4	50	660	25	20
ER/HBR	GaAlAs		100	50	300	4	-30~+85	-30~+100	0.67	1.7	2.0	20	100	4	50	660	30	20
HAA	GaAsP	Orange	125	50	100	4	-30~+85	-30~+100	0.67	2.2	2.5	20	20	4	50	605	30	20
HAY	GaAsP	Yellow	125	50	100	4	-30~+85	-30~+100	0.67	2.2	2.5	20	20	4	40	580	30	20
HPY	GaP		125	50	100	4	-30~+85	-30~+100	0.67	2.1	2.5	20	20	4	40	570	30	20
HPG	GaP	Green	125	50	100	4	-30~+85	-30~+100	0.67	2.1	2.5	20	20	4	40	560	30	20
HBG	GaP	Pure Green	125	50	100	4	-30~+85	-30~+100	0.67	2.1	2.5	20	20	4	50	555	30	20

● I_{F.M.} Condition: t_w ≤ 1 msec, Duty ≤ 1/20

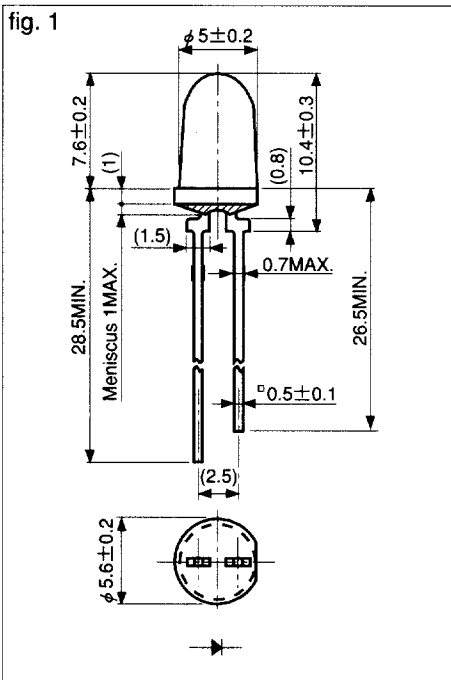
※1 The current derating for operation applies when the temperature is above 25°C.

▼HI-SUPER BRIGHT LED

Ta=25°C


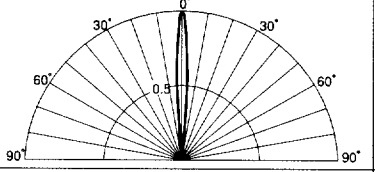

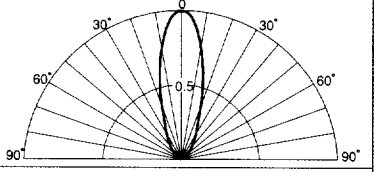

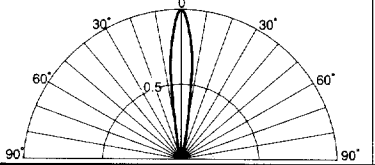
Size	Shape	Part No.	Emitted Color	Lens	Peak Wavelength λ _p (nm)	Luminous Intensity I _v (mcd)			Spatial Distribution (The typical distribution example of each shape is shown below.)	fig.	
						MIN.	TYP.	I _F (mA)			
φ 5		H-3000L	Red	Water Clear	Clear	660	2,400	3,000	20		1
		H-2000L				660	1,400	2,000	20		
		H-1000L				660	700	1,000	20		
		ER-700L				660	600	700	20		
		ER-500L				660	400	500	20		
		ER-300L				660	200	300	20		
		HBR5066X	Red	Pastel Red	Clear	660	200	300	20		
		HAA5066X	Orange	Pastel Orange		605	160	250	20		
		HAY5066X	Yellow	Pastel Yellow		580	100	150	20		
		HPY5066X	Green	Pastel Green		570	200	300	20		
		HPG5066X	Green	Pastel Green	560	150	200	20			
		HBG5066X	Pure Green	Green	555	100	150	20			

▼PACKAGE DIMENSIONS Unit : mm



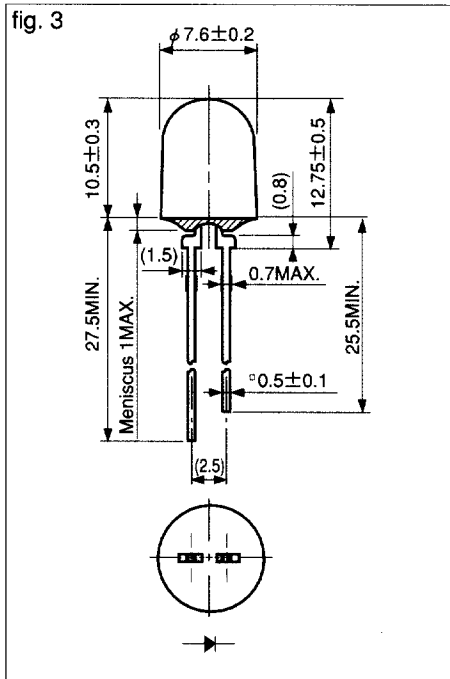
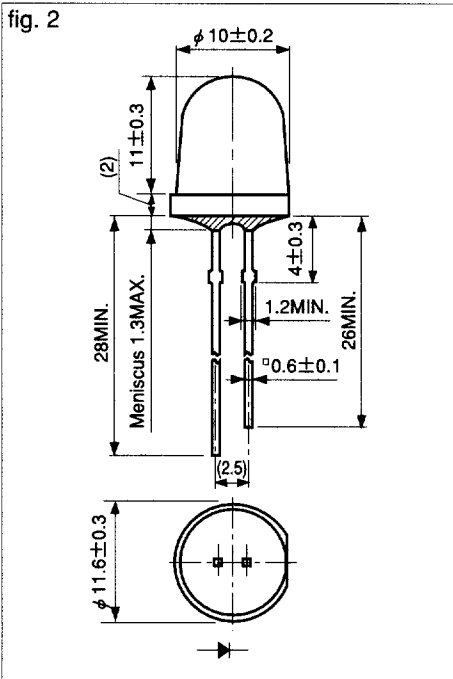
▼LARGE -SIZE LED

Ta=25°C

Size	Shape	Part No.	Emitted Color	Lens		Peak Wavelength λ_p (nm)	Luminous Intensity Iv (mcd)			Spatial Distribution (The typical distribution example of each shape is shown below.)	fig.
							MIN.	TYP.	I _F (mA)		
ϕ 10		H-3010-1	Red	Water Clear	Clear	660	2,000	3,000	20		2
		HPY1010-1	Yellow			570	500	1,000	20		
ϕ 7.6		HBR7071X	Red	Pastel Red	Diffused	660	30	60	20		3
		HPY7071X	Yellow	Pastel Yellow		570	30	60	20		
		KR7001X	Red	Water Clear	Clear	660	500	1,000	20		

3

▼PACKAGE DIMENSIONS Unit : mm



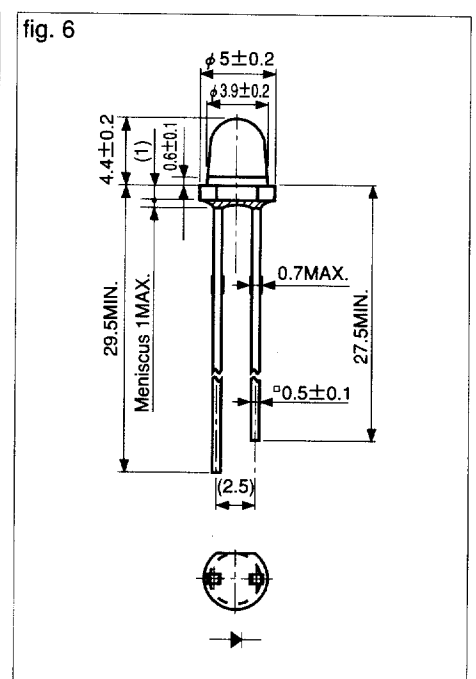
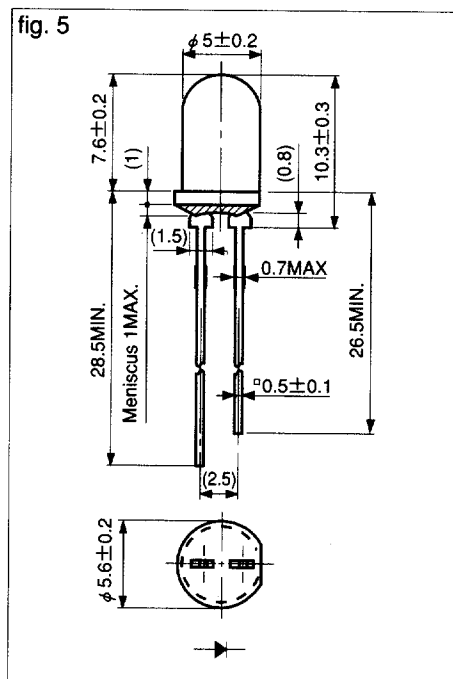
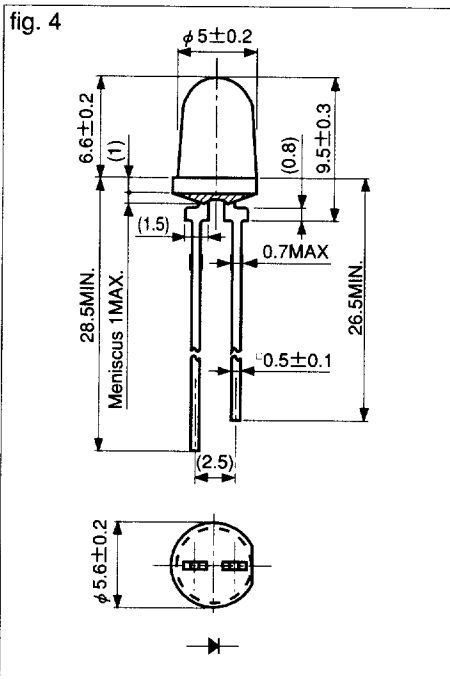
HI-SUPER BRIGHT LED

▼KR SERIES

Ta=25°C

Size	Shape	Part No.	Emitting Color	Lens	Peak Wavelength λp (nm)	Luminous Intensity Iv (mcd)			Spatial Distribution	kg	
						MIN	TYP	1/r (mAx)			
φ 5		KR5005S	Red	Water Clear	Clear	660	200	300	20		4
		KR5004X	Red	Water Clear	Clear	660	400	800	20		5
φ 4		KR4305S	Red	Water Clear	Clear	660	100	200	20		6

▼PACKAGE DIMENSIONS Unit : mm



▼KR SERIES

Ta=25°C

Size	Shape	Part No.	Emitted Color	Lens		Peak Wavelength λ_p (nm)	Luminous Intensity Iv (mcd)			Spatial Distribution	fig.
							MIN.	TYP.	IF (mA)		
φ3		KR3308S	Red	Water Clear	Clear	660	400	800	20		7
		KR3301X	Red	Water Clear	Clear	660	70	140	20		8
		KR3302X	Red	Water Clear	Clear	660	150	300	20		9

3

▼PACKAGE DIMENSIONS Unit : mm

