

CUSTOMER COPY

REV	ECN NO.	APP.	DATE
A	NEW DESIGN		

ORDER INFORMATION

1221 10 0 XX X

Plating:
1: Tin

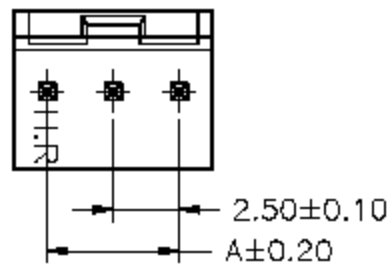
No. of contact

Type
10: Straight(JAE)

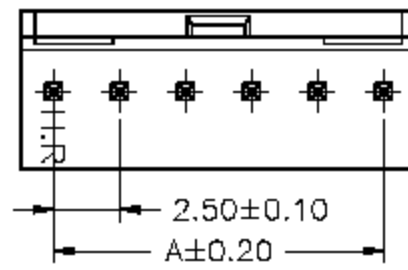
SPECIFICATIONS

Current Rating: 3A AC,DC
 Voltage Rating: 250V AC,DC
 Temperature Range: -25°C ~ +85°C
 Contact Resistance: 20mΩ Max
 Insulation Resistance: 1000MΩ Min
 Withstanding Voltage: 800V AC/minute
 Pin Material: Brass/Tin-plated
 Material: Nylon 66,UL94V-0

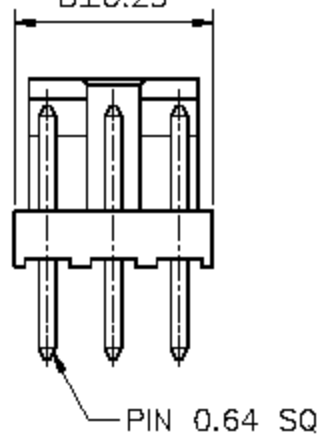
2P,3P



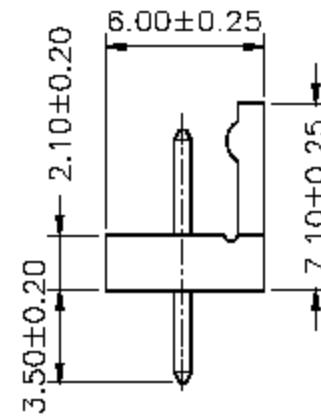
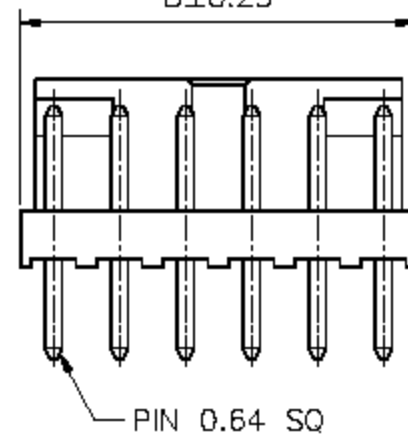
4P~6P



B±0.25



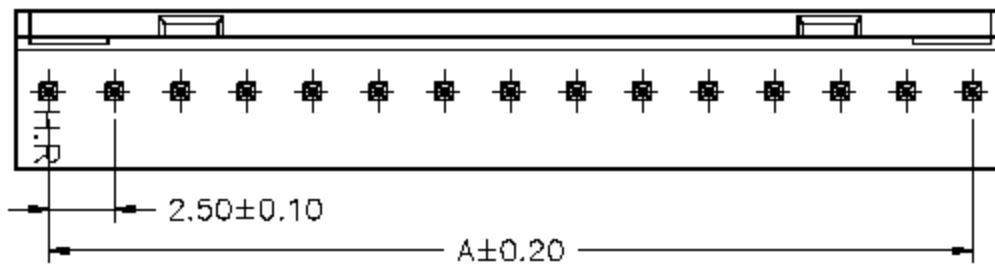
B±0.25



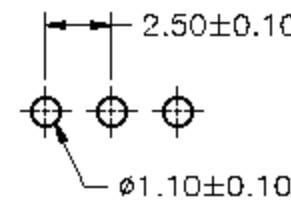
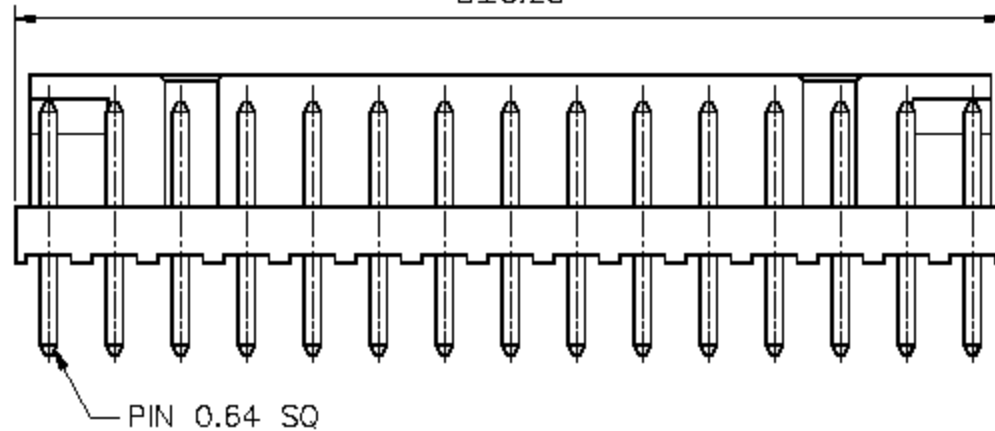
Dimensions

PART NO.	Dimensions	
	A	B
2P	2.50	5.00
3P	5.00	7.50
4P	7.50	10.00
5P	10.00	12.50
6P	12.50	15.00
7P	15.00	17.50
8P	17.50	20.00
9P	20.00	22.50
10P	22.50	25.00
11P	25.00	27.50
12P	27.50	30.00
13P	30.00	32.50
14P	32.50	35.00
15P	35.00	37.50

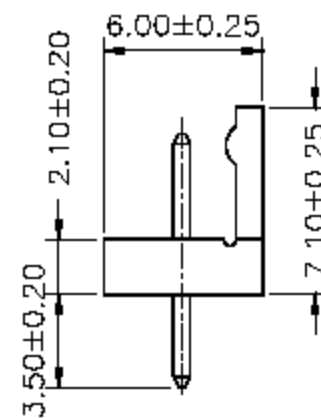
7P~15P



B±0.25



P.C.B. LAYOUT



ACMELUX CO., LTD.
 TEL:886-85124595 FAX:886-85124322

0.0±	SCALE:	TITLE:	PART NO:
0.00±	UNIT: MM	2.5mm WAFER STRAIGHT (JAE)	APP BY: HUNG
0.000±		MATL:	CHK BY: CHERYL
		DWG. NO. C1221100XX1	DR BY: ADER A122