

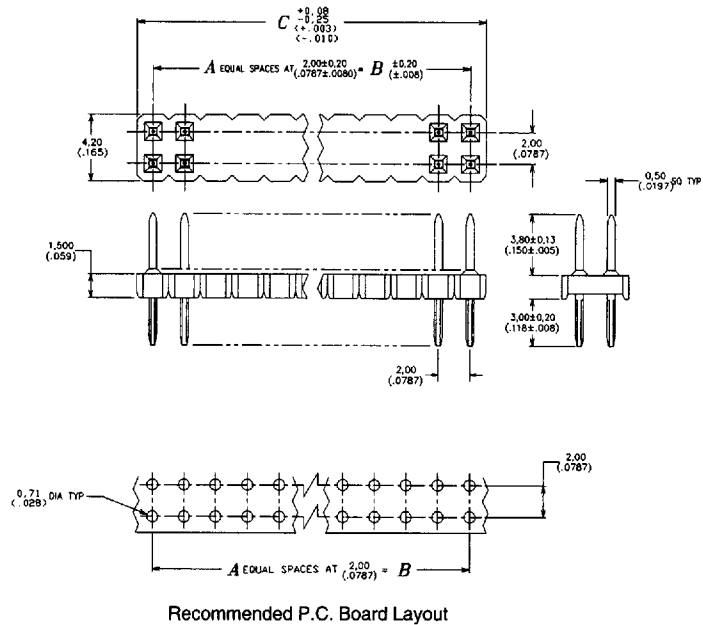
2 mm Headers

SERIES 8392 & 8393

Through-Hole Mount
Standard Profile
Vertical

NUMBER OF POSITIONS	PART NUMBER	A	B	C
6	10-8392-2006-00-101	2	4,00 (.1575)	6,00 (.236)
8	10-8392-2008-00-101	3	6,00 (.2362)	8,00 (.315)
10	10-8392-2010-00-101	4	8,00 (.3150)	10,00 (.394)
12	10-8392-2012-00-101	5	10,00 (.3937)	12,00 (.472)
14	10-8392-2014-00-101	6	12,00 (.4724)	14,00 (.551)
16	10-8392-2016-00-101	7	14,00 (.5512)	16,00 (.630)
18	10-8392-2018-00-101	8	16,00 (.6299)	18,00 (.709)
20	10-8392-2020-00-101	9	18,00 (.7087)	20,00 (.787)
22	10-8392-2022-00-101	10	20,00 (.7874)	22,00 (.866)
24	10-8392-2024-00-101	11	22,00 (.8661)	24,00 (.945)
26	10-8392-2026-00-101	12	24,00 (.9449)	26,00 (1.024)
28	10-8392-2028-00-101	13	26,00 (1.0236)	28,00 (1.102)
30	10-8392-2030-00-101	14	28,00 (1.1024)	30,00 (1.181)
32	10-8392-2032-00-101	15	30,00 (1.1811)	32,00 (1.260)
34	10-8392-2034-00-101	16	32,00 (1.2598)	34,00 (1.339)
36	10-8392-2036-00-101	17	34,00 (1.3386)	36,00 (1.417)
38	10-8392-2038-00-101	18	36,00 (1.4173)	38,00 (1.496)
40	10-8392-2040-00-101	19	38,00 (1.4961)	40,00 (1.575)
42	10-8392-2042-00-101	20	40,00 (1.5748)	42,00 (1.653)
44	10-8392-2044-00-101	21	42,00 (1.6535)	44,00 (1.732)
46	10-8392-2046-00-101	22	44,00 (1.7323)	46,00 (1.811)
48	10-8392-2048-00-101	23	46,00 (1.8110)	48,00 (1.890)
50	10-8392-2050-00-101	24	48,00 (1.8898)	50,00 (1.969)

Contact factory for additional sizes.

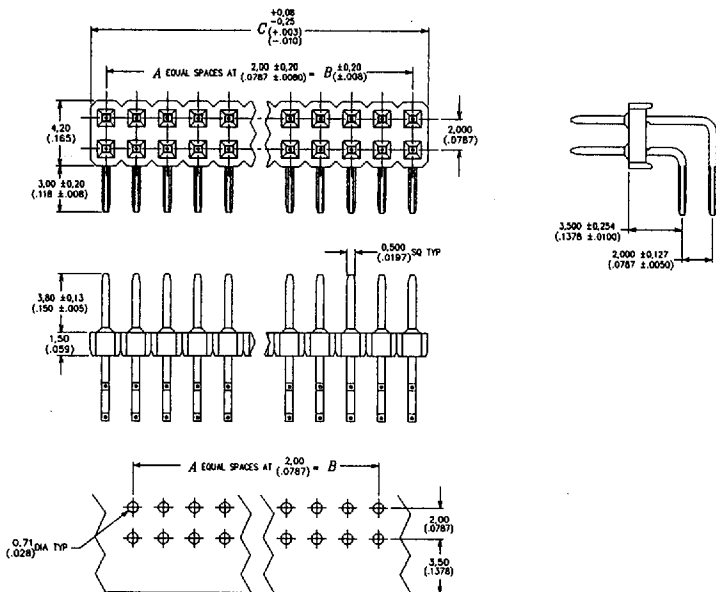


Recommended P.C. Board Layout

Through-Hole Mount
Standard Profile
Horizontal

NUMBER OF POSITIONS	PART NUMBER	A	B	C
6	10-8393-2006-00-101	2	4,00 (.1575)	6,00 (.236)
8	10-8393-2008-00-101	3	6,00 (.2362)	8,00 (.315)
10	10-8393-2010-00-101	4	8,00 (.3150)	10,00 (.394)
12	10-8393-2012-00-101	5	10,00 (.3937)	12,00 (.472)
14	10-8393-2014-00-101	6	12,00 (.4724)	14,00 (.551)
16	10-8393-2016-00-101	7	14,00 (.5512)	16,00 (.630)
18	10-8393-2018-00-101	8	16,00 (.6299)	18,00 (.709)
20	10-8393-2020-00-101	9	18,00 (.7087)	20,00 (.787)
22	10-8393-2022-00-101	10	20,00 (.7874)	22,00 (.866)
24	10-8393-2024-00-101	11	22,00 (.8661)	24,00 (.945)
26	10-8393-2026-00-101	12	24,00 (.9449)	26,00 (1.024)
28	10-8393-2028-00-101	13	26,00 (1.0236)	28,00 (1.102)
30	10-8393-2030-00-101	14	28,00 (1.1024)	30,00 (1.181)
32	10-8393-2032-00-101	15	30,00 (1.1811)	32,00 (1.260)
34	10-8393-2034-00-101	16	32,00 (1.2598)	34,00 (1.339)
36	10-8393-2036-00-101	17	34,00 (1.3386)	36,00 (1.417)
38	10-8393-2038-00-101	18	36,00 (1.4173)	38,00 (1.496)
40	10-8393-2040-00-101	19	38,00 (1.4961)	40,00 (1.575)
42	10-8393-2042-00-101	20	40,00 (1.5748)	42,00 (1.653)
44	10-8393-2044-00-101	21	42,00 (1.6535)	44,00 (1.732)
46	10-8393-2046-00-101	22	44,00 (1.7323)	46,00 (1.811)
48	10-8393-2048-00-101	23	46,00 (1.8110)	48,00 (1.890)
50	10-8393-2050-00-101	24	48,00 (1.8898)	50,00 (1.969)

Contact factory for additional sizes.



Recommended P.C. Board Layout

Torsion .050" & 2 mm Centerline Headers & Receptacles

Product Specifications:

- **Contact Stress** - 150 K PSI min.
- **Insertion Force** - 6 oz. max., (1.67 newtons)
- **Withdrawal Force** - .75 oz. min. (.21 newtons)
- **Contact Resistance** - 20 milliohms initial
- **Dielectric Withstanding Voltage** - 1000 VAC
- **Current Rating** - 1 amp max.
- **Durability** - 50 cycles
- **Operating Temperature** - -55°C to +105°C
- **Insulation Resistance** - 1000 megohms min.

Other Features & Benefits:

- **High Speed Pick & Place Packaging** available
- **Low Profile**
- **Plastic Contact Lead-In** for ease of insertion
- **Early and Long Contact Wipe**
- **Two-Piece Interconnection System** for high reliability
- **Low Insertion Force and High Normal Force Contacts** for large number of pin-outs and interface reliability
- **High Temperature Insulator Material** accommodates reflow soldering temperatures
- **Gold Plating** 15 μ " (0,38 micrometers) on mating surfaces

Applications:

- **Data** - computers, hard disk drives, peripherals
- **Telecommunications** - cellular mobile phones, central office
- **Medical** - mobile and stationary diagnostics
- **Utilities** - hand-held equipment

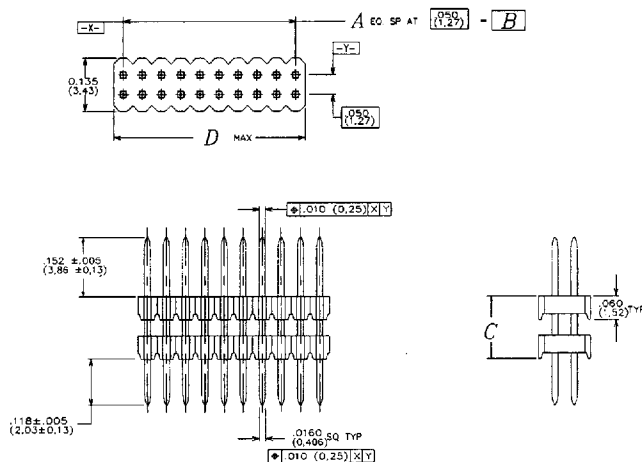


.050" & 2 mm Stacking Headers

Through-Hole Mount
Vertical

NUMBER OF POSITIONS	A	B	D
4	1	.050 (1,27)	.100 (2,54)
6	2	.100 (2,54)	.150 (3,81)
8	3	.150 (3,81)	.200 (5,08)
10	4	.200 (5,08)	.250 (6,35)
12	5	.250 (6,35)	.300 (7,62)
14	6	.300 (7,62)	.350 (8,892)
16	7	.350 (8,892)	.400 (10,16)
18	8	.400 (10,16)	.450 (11,83)
20	9	.450 (11,83)	.500 (12,70)
22	10	.500 (12,70)	.550 (13,97)
24	11	.550 (13,97)	.600 (15,24)
26	12	.600 (15,24)	.650 (16,51)
28	13	.650 (16,51)	.700 (17,78)
30	14	.700 (17,78)	.750 (19,05)
32	15	.750 (19,05)	.800 (20,32)
34	16	.800 (20,32)	.850 (21,59)
36	17	.850 (21,59)	.900 (22,86)
38	18	.900 (22,86)	.950 (24,19)
40	19	.950 (24,19)	1.000 (25,40)
42	20	1.000 (25,409)	1.050 (26,67)
44	21	1.050 (26,67)	1.100 (27,94)
46	22	1.100 (27,94)	1.150 (29,21)
48	23	1.150 (29,21)	1.200 (30,48)
50	24	1.200 (30,48)	1.250 (31,75)

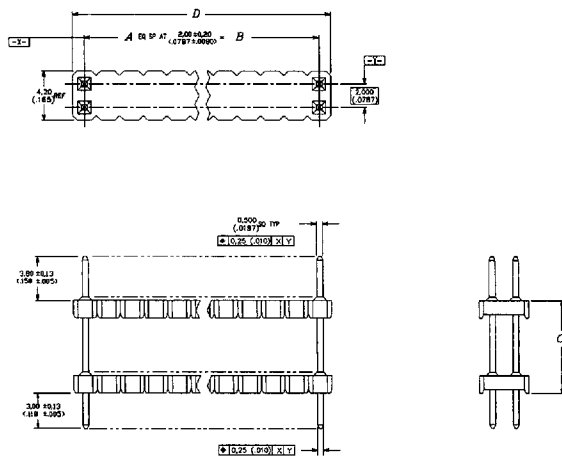
.050"
inches (millimeters)



ELCO stacking headers provide flexibility and control in board spacing. Contact the factory for available stack heights (Dimension C) and pin lengths.

NUMBER OF POSITIONS	A	B	D
6	2	4,00 (1,1575)	6,00 (1,236)
8	3	6,00 (1,2362)	8,00 (1,315)
10	4	8,00 (1,3150)	10,00 (1,394)
12	5	10,00 (1,3937)	12,00 (1,472)
14	6	12,00 (1,4724)	14,00 (1,551)
16	7	14,00 (1,5512)	16,00 (1,630)
18	8	16,00 (1,6299)	18,00 (1,709)
20	9	18,00 (1,7087)	20,00 (1,787)
22	10	20,00 (1,7874)	22,00 (1,866)
24	11	22,00 (1,8661)	24,00 (1,945)
26	12	24,00 (1,9449)	26,00 (1,024)
28	13	26,00 (1,0236)	28,00 (1,102)
30	14	28,00 (1,1024)	30,00 (1,181)
32	15	30,00 (1,1811)	32,00 (1,260)
34	16	32,00 (1,2598)	34,00 (1,339)
36	17	34,00 (1,3386)	36,00 (1,417)
38	18	36,00 (1,4173)	38,00 (1,496)
40	19	38,00 (1,4961)	40,00 (1,575)
42	20	40,00 (1,5748)	42,00 (1,653)
44	21	42,00 (1,6535)	44,00 (1,732)
46	22	44,00 (1,7323)	46,00 (1,811)
48	23	46,00 (1,8110)	48,00 (1,890)
50	24	48,00 (1,8898)	50,00 (1,969)

2 mm
millimeters (inches)



D 04F ■ 5293006 0003649 806 ■