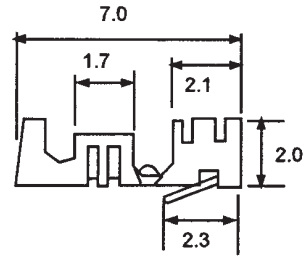
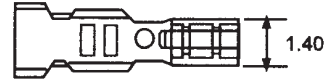
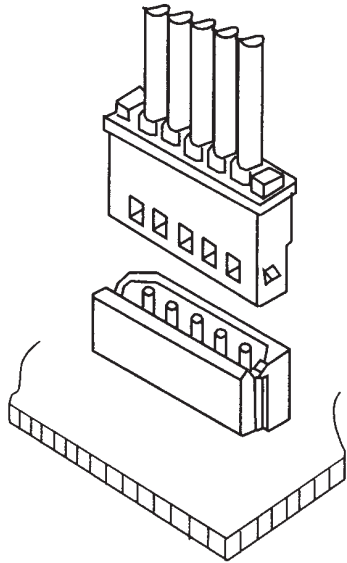


250G3 CONNECTOR SYSTEM

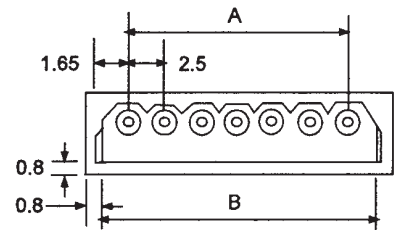
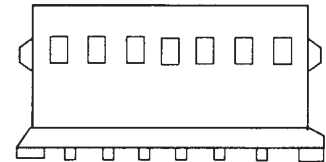
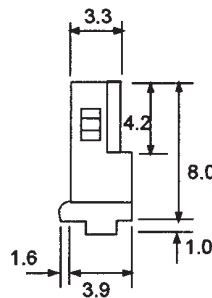
.098" (2.5mm) pitch wire-to-board type



PART NO.	WIRE RANGE		MATERIAL/	THICKNESS	INSULATION	REEL
	AWG#	mm ²	FINISH	mm	O.D.(mm)	PCS
250G3-TP	22-28	0.33-0.08	PHOS/TIN	0.20	1.9-1.2	10000

250G3-H SERIES HOUSING

MATERIAL : NYLON 66 UL 94V-2
 ACCEPT 250G3-T TERMINAL
 MATE WITH 250G2-V(R) HEADER
 CURRENT RATING : 3A AC,DC
 VOLTAGE RATING : 250V AC,DC
 CONTACT RESISTANCE : 20m δ MAX
 INSULATION RESISTANCE : 1000M δ MIN
 WITHSTANDING VOLTAGE : 1000V AC/MINUTE
 TEMPERATURE RANGE : -25°C TO +85°C



POLES	PART NO.	DIMENSIONS (mm)		POLES	PART NO.	DIMENSIONS (mm)	
		A	B			A	B
2	250G3-H02	2.50	5.80	9	250G3-H09	22.50	23.30
3	250G3-H03	5.00	8.30	10	250G3-H10	25.00	25.70
4	250G3-H04	7.50	10.80	11	250G3-H11	27.50	28.30
5	250G3-H05	10.00	13.30	12	250G3-H12	30.00	30.80
6	250G3-H06	12.50	15.80	13	250G3-H13	32.50	33.30
7	250G3-H07	15.00	18.30	14	250G3-H14	35.00	35.80
8	250G3-H08	17.50	23.30	15	250G3-H15	37.50	38.30

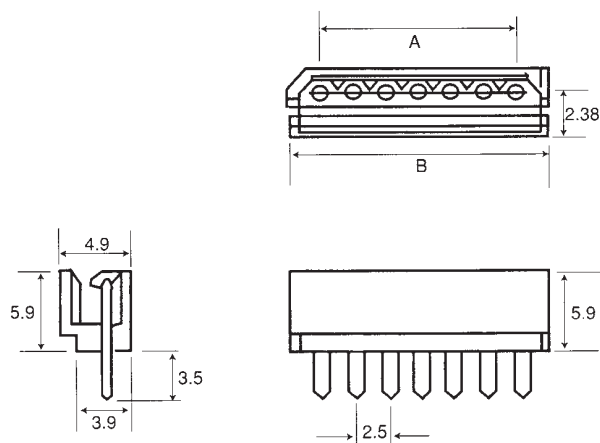
250G3 CONNECTOR SYSTEM

.098" (2.5mm) pitch wire-to-board type



250G3-V SERIES HEADER

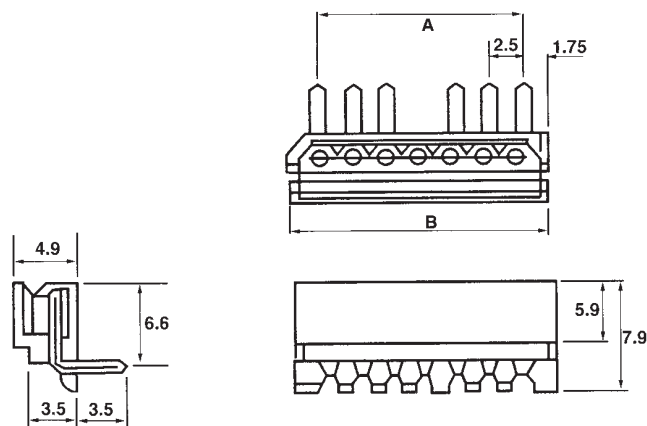
MATERIAL : NYLON 66 UL 94V-2
 PIN BRASS TIN-PLATED
 MATE WITH 250G3-H HOUSING
 CURRENT RATING : 3A AC, DC
 VOLTAGE RATING : 250V AC, DC
 CONTACT RESISTANCE : 20m δ MAX
 INSULATION RESISTANCE : 1000M δ MIN
 WITHSTANDING VOLTAGE : 1000V AC/MINUTE
 TEMPERATURE RANGE : -25°C TO +85°C
 ROUND PIN SIZE : 0.7 MM
 PC BOARD HOLE : 0.9 MM DIA
 PC BOARD THICKNESS : 1.6 MM



POLES	PART NO.	DIMENSIONS (mm)		POLES	PART NO.	DIMENSIONS (mm)	
		A	B			A	B
2	250G3-V02	2.50	7.50	9	250G3-V09	20.00	25.00
3	250G3-V03	5.00	10.00	10	250G3-V10	22.50	27.50
4	250G3-V04	7.50	12.50	11	250G3-V11	25.00	30.00
5	250G3-V05	10.00	15.00	12	250G3-V12	27.50	32.50
6	250G3-V06	12.50	17.50	13	250G3-V13	30.00	35.00
7	250G3-V07	15.00	20.00	14	250G3-V14	32.50	37.50
8	250G3-V08	17.50	22.50	15	250G3-V15	35.00	40.00

250G3-R SERIES HEADER

MATERIAL : NYLON 66 UL 94V-2
 PIN BRASS TIN-PLATED
 MATE WITH 250G3-H HOUSING
 CURRENT RATING : 3A AC, DC
 VOLTAGE RATING : 250V AC, DC
 CONTACT RESISTANCE : 20m δ MAX
 INSULATION RESISTANCE : 1000M δ MIN
 WITHSTANDING VOLTAGE : 1000V AC/MINUTE
 TEMPERATURE RANGE : -25°C TO +85°C
 ROUND PIN SIZE : 0.7 MM
 PC BOARD HOLE : 0.9 MM DIA
 PC BOARD THICKNESS : 1.6 MM



POLES	PART NO.	DIMENSIONS (mm)		POLES	PART NO.	DIMENSIONS (mm)	
		A	B			A	B
2	250G3-R02	2.50	7.50	9	250G3-R09	20.00	25.00
3	250G3-R03	5.00	10.00	10	250G3-R10	22.50	27.50
4	250G3-R04	7.50	12.50	11	250G3-R11	25.00	30.00
5	250G3-R05	10.00	15.00	12	250G3-R12	27.50	32.50
6	250G3-R06	12.50	17.50	13	250G3-R13	30.00	35.00
7	250G3-R07	15.00	20.00	14	250G3-R14	32.50	37.50
8	250G3-R08	17.50	22.50	15	250G3-R15	35.00	40.00