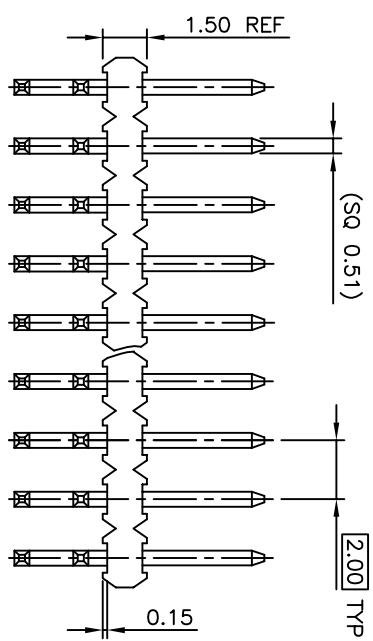
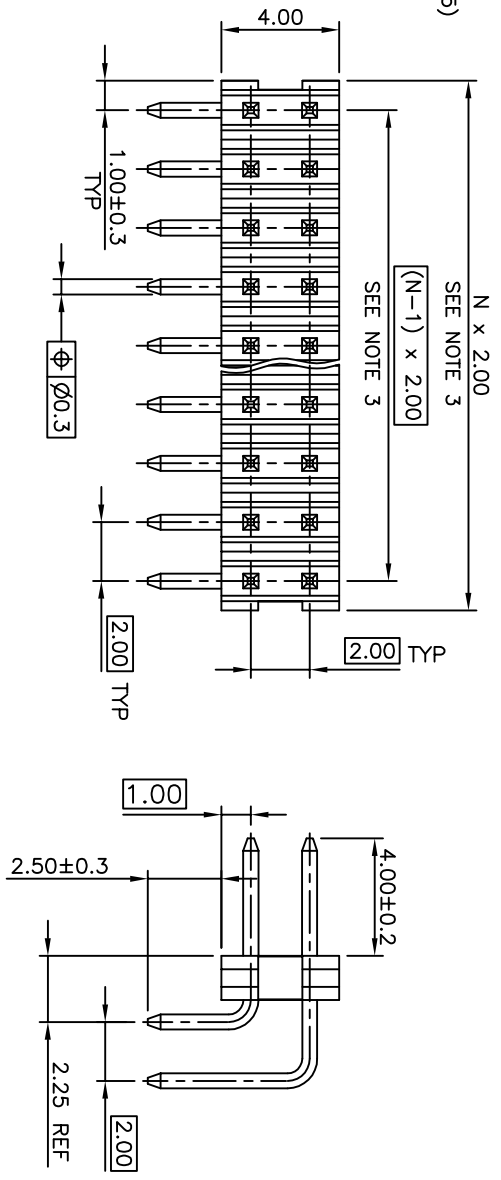


PRODUCT NUMBER  
98423-X61-XXXXL

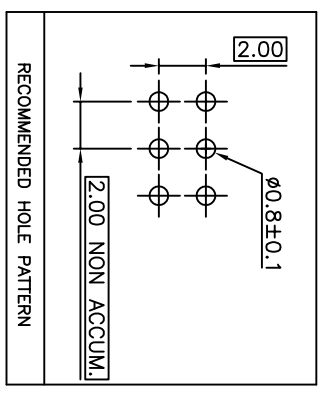
PLATING \_\_\_\_\_  
 S = 0.38µm GOLD/GXT ON CONTACT AREA  
 2µm MIN MATTE TIN ON TAIL  
 G = 0.76µm GOLD/GXT ON CONTACT AREA  
 2µm MIN MATTE TIN ON TAIL  
 F = GOLD FASH ON CONTACT AREA  
 2µm MIN MATTE

RoHS COMPATIBLE, SEE NOTE 6  
 PACKAGING OPTIONAL LETTER (SEE NOTE 5)  
 NB OF POSITIONS PER ROW  
 02 TO 25 POS

NOTES:  
 1. MATERIAL HOUSING: HIGH TEMP. THERMOPLASTIC UL 94V-0, COLOR BLACK  
 2. MATERIAL TERMINAL: COPPER ALLOY  
 3. TO DETERMINE DIMENSIONS:  
 N = NUMBER OF POSITIONS PER ROW  
 4. 7N MIN. PIN RETENTION IN EITHER DIRECTION.  
 5. PACKAGING:  
 = PLASTIC BOX  
 U = TUBE AVAILABLE FROM 06 TO 50 POS  
 6. RoHS COMPATIBLE PRODUCT SPECIFICATIONS



- a - MANUFACTURING PROCESS COMPATIBILITY**
- THE HOUSING WILL WITHSTAND EXPOSURE TO 260°C ±5°C SOLDER BATH TEMPERATURE FOR 5 SECONDS IN A WAVE SOLDER APPLICATION WITH A 1.6mm MIN THICK CIRCUIT BOARD.
- b - LABELLING:**
- MEETS PACKAGING SPECS AS PER GS-14-920
  - THIS PRODUCT MEETS EUROPEAN DIRECTIVES AND OTHER COUNTRY REGULATIONS AS DESCRIBED IN GS-47-0004



ltr	ecn no	dr	date	surface	tolerance	projection
A	F10338	LWJ	03.10.01	ISO 1302	ISO 406	ISO 101
B	F04-0351	JUC0	05.01.13	tolerances unless otherwise specified	X ±0.3	mm
C	F06-021d	LWJ	06.07.05	angle	XX ±0.13	linear
D	F08-0144	EIA	17.04.08	dr	L MULIN	04.09.28
E	B-19190	LWJ	14.10.24	eng/ju	COMPAGNONI	04.09.28

sheet	revision	sheet	revision	sheet	revision	sheet	revision

mat'l. code

product family: MINTEK

title: UNSHR HEADER RIGHT ANGLE TMT

dwg no: 98423

sheet 1 of 1

size: A3

type: CUSTOMER Drawing