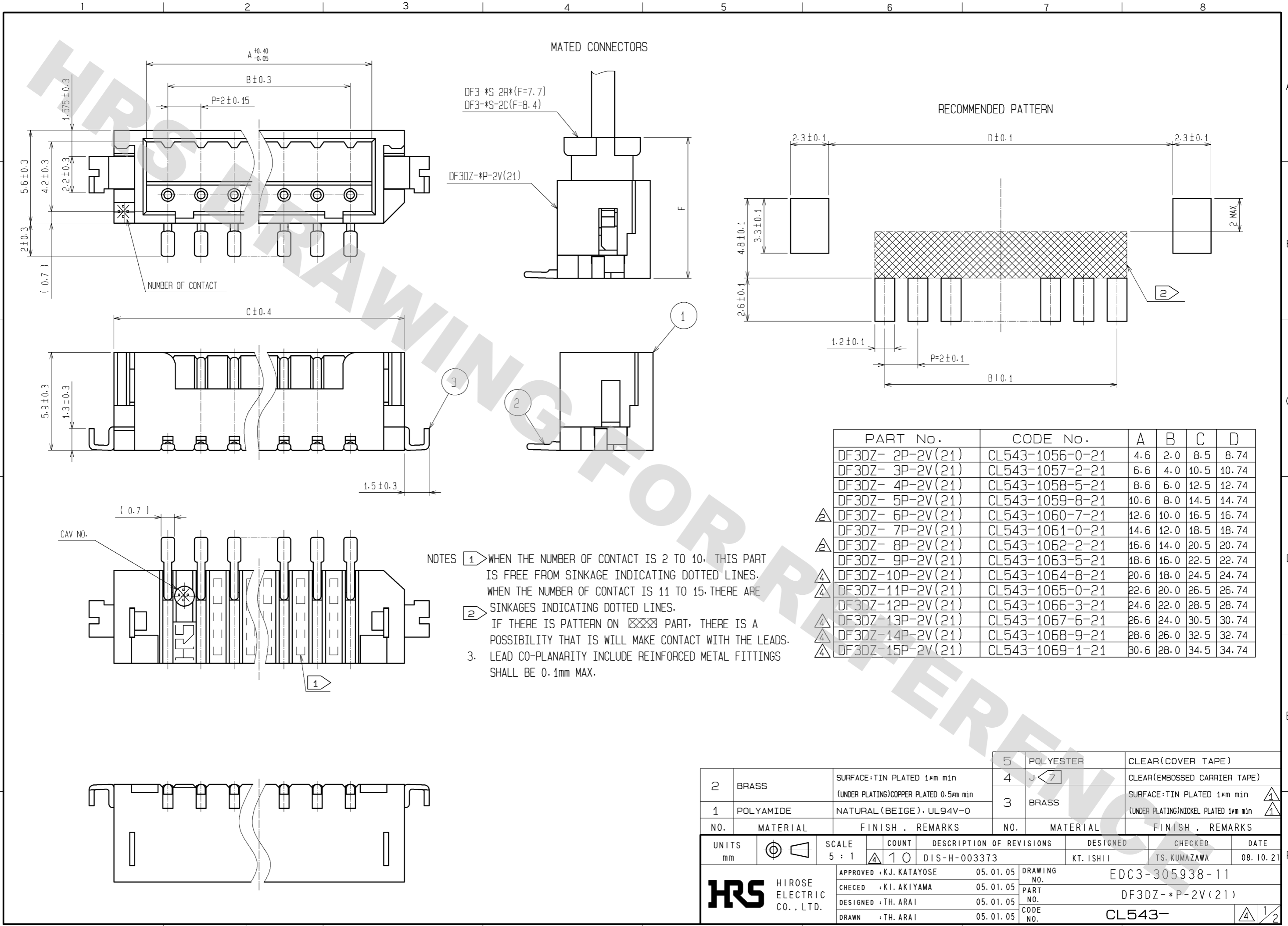


DRAWING FOR REFERENCE: This is subject to change without notice
08/11/2012



- NOTES
- ① WHEN THE NUMBER OF CONTACT IS 2 TO 10, THIS PART IS FREE FROM SINKAGE INDICATING DOTTED LINES. WHEN THE NUMBER OF CONTACT IS 11 TO 15, THERE ARE SINKAGES INDICATING DOTTED LINES.
 - ② IF THERE IS PATTERN ON PART, THERE IS A POSSIBILITY THAT IT WILL MAKE CONTACT WITH THE LEADS.
 - 3. LEAD CO-PLANARITY INCLUDE REINFORCED METAL FITTINGS SHALL BE 0.1mm MAX.

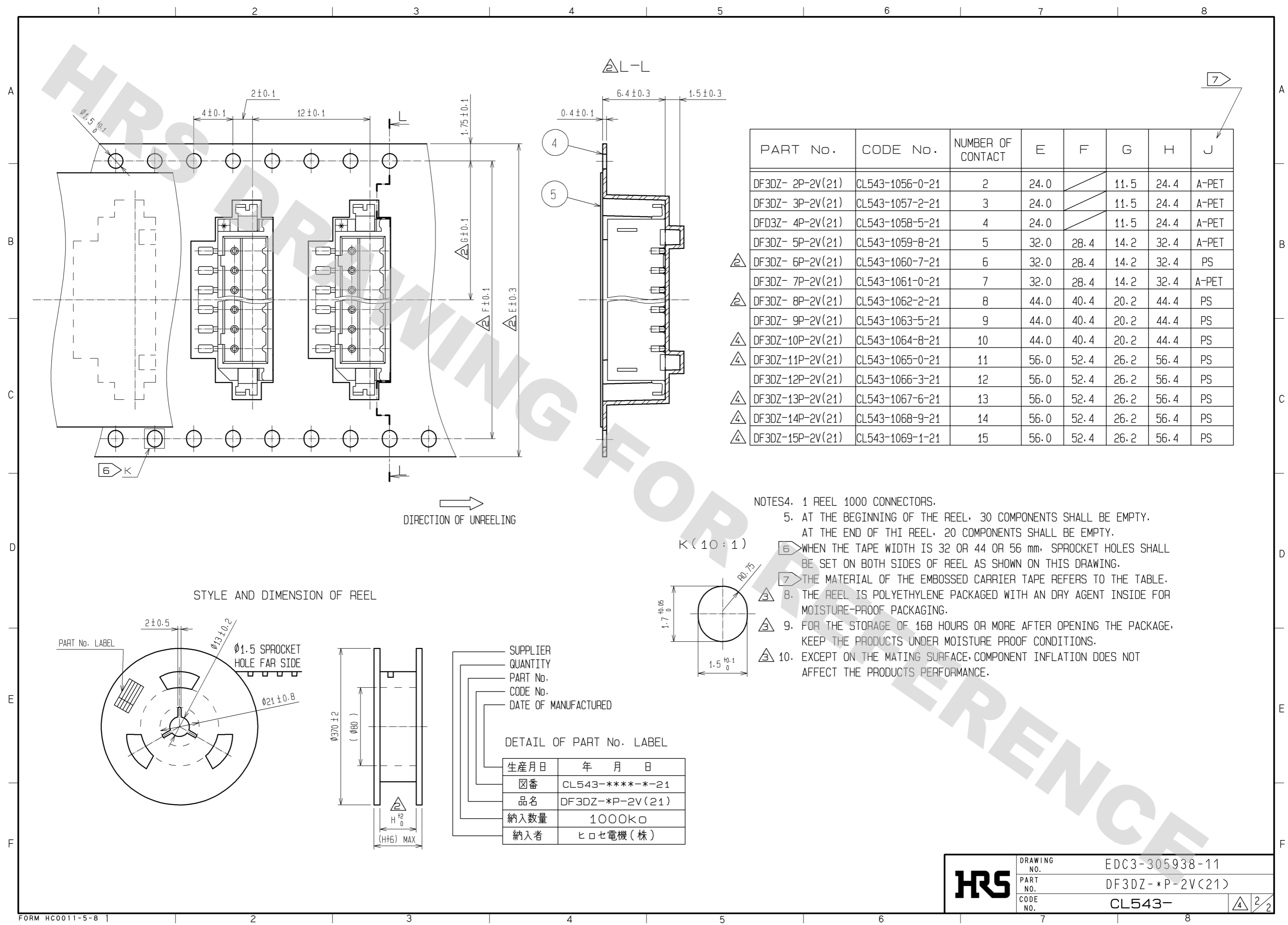
PART No.	CODE No.	A	B	C	D
DF3DZ- 2P-2V(21)	CL543-1056-0-21	4.6	2.0	8.5	8.74
DF3DZ- 3P-2V(21)	CL543-1057-2-21	6.6	4.0	10.5	10.74
DF3DZ- 4P-2V(21)	CL543-1058-5-21	8.6	6.0	12.5	12.74
DF3DZ- 5P-2V(21)	CL543-1059-8-21	10.6	8.0	14.5	14.74
DF3DZ- 6P-2V(21)	CL543-1060-7-21	12.6	10.0	16.5	16.74
DF3DZ- 7P-2V(21)	CL543-1061-0-21	14.6	12.0	18.5	18.74
DF3DZ- 8P-2V(21)	CL543-1062-2-21	16.6	14.0	20.5	20.74
DF3DZ- 9P-2V(21)	CL543-1063-5-21	18.6	16.0	22.5	22.74
DF3DZ-10P-2V(21)	CL543-1064-8-21	20.6	18.0	24.5	24.74
DF3DZ-11P-2V(21)	CL543-1065-0-21	22.6	20.0	26.5	26.74
DF3DZ-12P-2V(21)	CL543-1066-3-21	24.6	22.0	28.5	28.74
DF3DZ-13P-2V(21)	CL543-1067-6-21	26.6	24.0	30.5	30.74
DF3DZ-14P-2V(21)	CL543-1068-9-21	28.6	26.0	32.5	32.74
DF3DZ-15P-2V(21)	CL543-1069-1-21	30.6	28.0	34.5	34.74

NO.	MATERIAL	FINISH	REMARKS	NO.	MATERIAL	FINISH	REMARKS
2	BRASS	SURFACE:TIN PLATED 1μm min (UNDER PLATING)COPPER PLATED 0.5μm min		5	POLYESTER	CLEAR(COVER TAPE)	
1	POLYAMIDE	NATURAL (BEIGE) · UL94V-0		4	J < 7	CLEAR(EMBOSSED CARRIER TAPE)	
				3	BRASS	SURFACE:TIN PLATED 1μm min (UNDER PLATING)NICKEL PLATED 1μm min	④

UNITS	SCALE	COUNT	DESCRIPTION OF REVISIONS	DESIGNED	CHECKED	DATE
mm	5 : 1	④ 10	DIS-H-003373	KT. ISHII	TS. KUMAZAWA	08.10.21

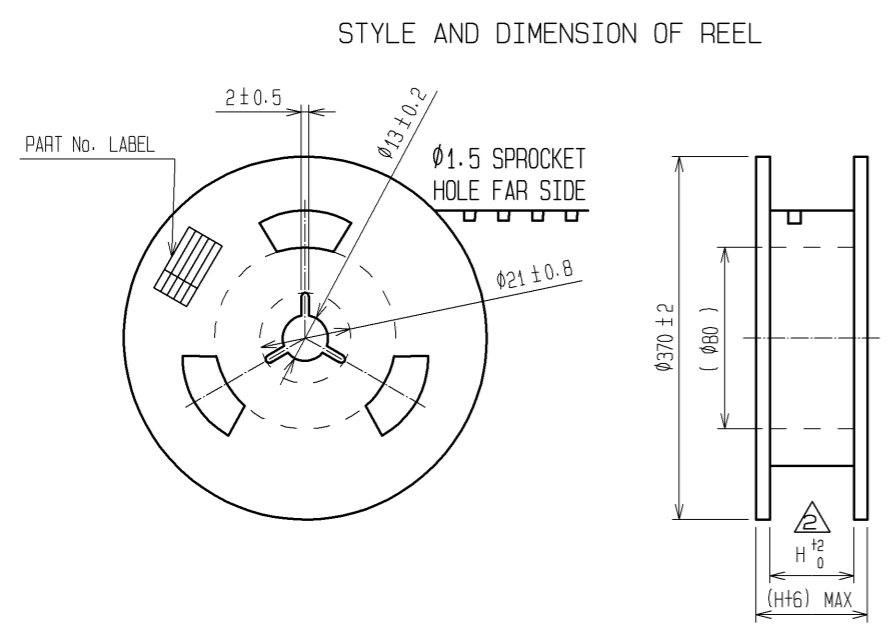
APPROVED : KJ. KATAYOSE	05.01.05	DRAWING NO.	EDC3-305938-11
CHECKED : KI. AKIYAMA	05.01.05	PART NO.	DF3DZ-*P-2V(21)
DESIGNED : TH. ARAI	05.01.05	CODE NO.	CL543-
DRAWN : TH. ARAI	05.01.05		

DRAWING FOR REFERENCE: This is subject to change without notice
08/11/2012



PART No.	CODE No.	NUMBER OF CONTACT	E	F	G	H	J
DF3DZ- 2P-2V(21)	CL543-1056-0-21	2	24.0		11.5	24.4	A-PET
DF3DZ- 3P-2V(21)	CL543-1057-2-21	3	24.0		11.5	24.4	A-PET
DFD3Z- 4P-2V(21)	CL543-1058-5-21	4	24.0		11.5	24.4	A-PET
DF3DZ- 5P-2V(21)	CL543-1059-8-21	5	32.0	28.4	14.2	32.4	A-PET
DF3DZ- 6P-2V(21)	CL543-1060-7-21	6	32.0	28.4	14.2	32.4	PS
DF3DZ- 7P-2V(21)	CL543-1061-0-21	7	32.0	28.4	14.2	32.4	A-PET
DF3DZ- 8P-2V(21)	CL543-1062-2-21	8	44.0	40.4	20.2	44.4	PS
DF3DZ- 9P-2V(21)	CL543-1063-5-21	9	44.0	40.4	20.2	44.4	PS
DF3DZ-10P-2V(21)	CL543-1064-8-21	10	44.0	40.4	20.2	44.4	PS
DF3DZ-11P-2V(21)	CL543-1065-0-21	11	56.0	52.4	26.2	56.4	PS
DF3DZ-12P-2V(21)	CL543-1066-3-21	12	56.0	52.4	26.2	56.4	PS
DF3DZ-13P-2V(21)	CL543-1067-6-21	13	56.0	52.4	26.2	56.4	PS
DF3DZ-14P-2V(21)	CL543-1068-9-21	14	56.0	52.4	26.2	56.4	PS
DF3DZ-15P-2V(21)	CL543-1069-1-21	15	56.0	52.4	26.2	56.4	PS

- NOTES
- 4. 1 REEL 1000 CONNECTORS.
 - 5. AT THE BEGINNING OF THE REEL, 30 COMPONENTS SHALL BE EMPTY. AT THE END OF THE REEL, 20 COMPONENTS SHALL BE EMPTY.
 - 6. WHEN THE TAPE WIDTH IS 32 OR 44 OR 56 mm, SPROCKET HOLES SHALL BE SET ON BOTH SIDES OF REEL AS SHOWN ON THIS DRAWING.
 - 7. THE MATERIAL OF THE EMBOSSED CARRIER TAPE REFERS TO THE TABLE.
 - 8. THE REEL IS POLYETHYLENE PACKAGED WITH AN DRY AGENT INSIDE FOR MOISTURE-PROOF PACKAGING.
 - 9. FOR THE STORAGE OF 168 HOURS OR MORE AFTER OPENING THE PACKAGE, KEEP THE PRODUCTS UNDER MOISTURE PROOF CONDITIONS.
 - 10. EXCEPT ON THE MATING SURFACE, COMPONENT INFLATION DOES NOT AFFECT THE PRODUCTS PERFORMANCE.



DETAIL OF PART No. LABEL

SUPPLIER	
QUANTITY	
PART No.	
CODE No.	
DATE OF MANUFACTURED	
生産月日	年 月 日
☒番	CL543-****-**-21
品名	DF3DZ-*P-2V(21)
納入数量	1000K
納入者	ヒロセ電機(株)

HRS	DRAWING NO.	EDC3-305938-11
	PART NO.	DF3DZ-*P-2V(21)
	CODE NO.	CL543-
		4/2