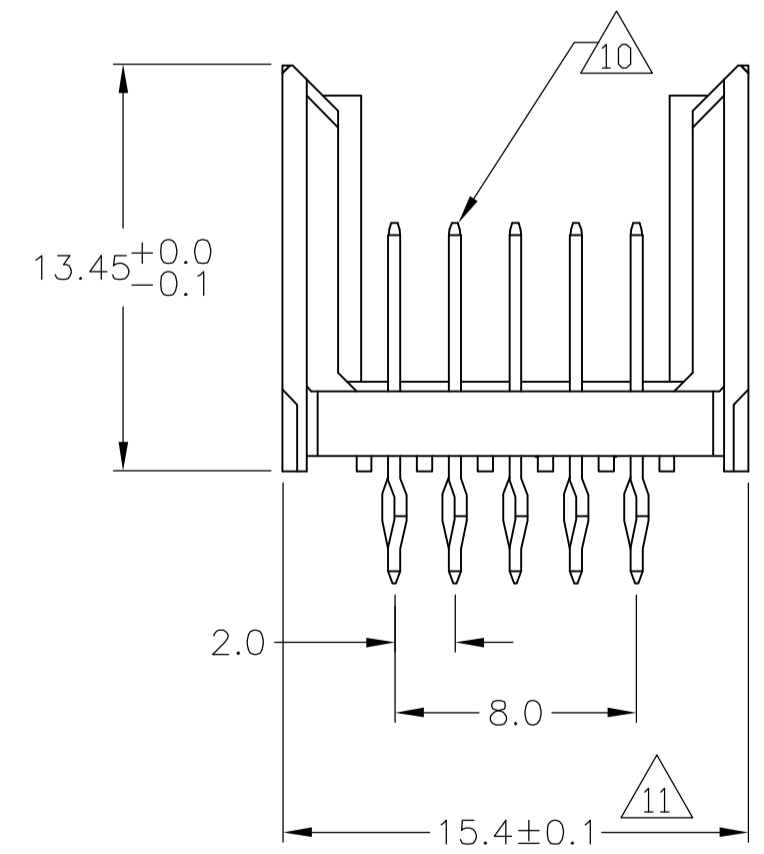
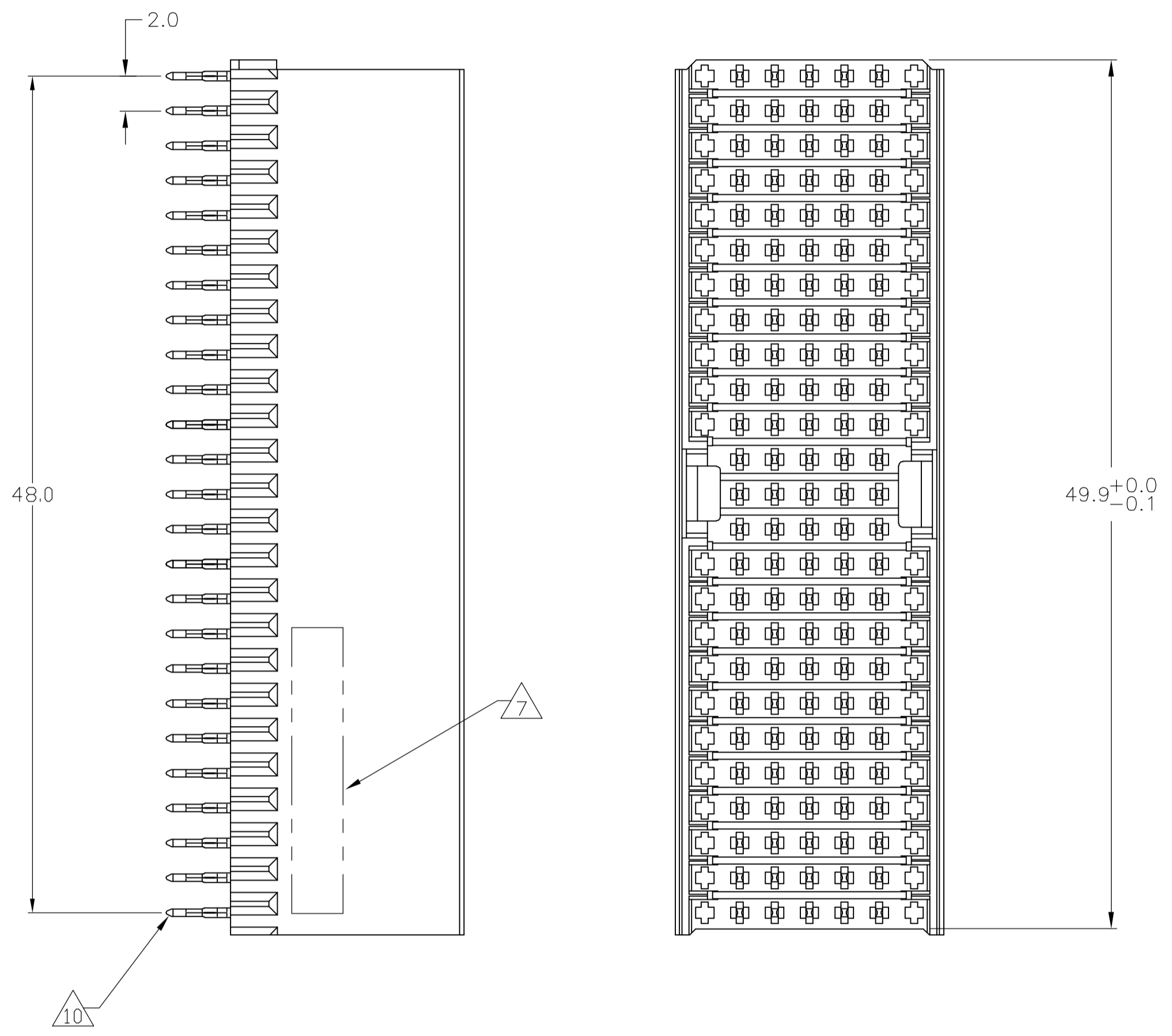


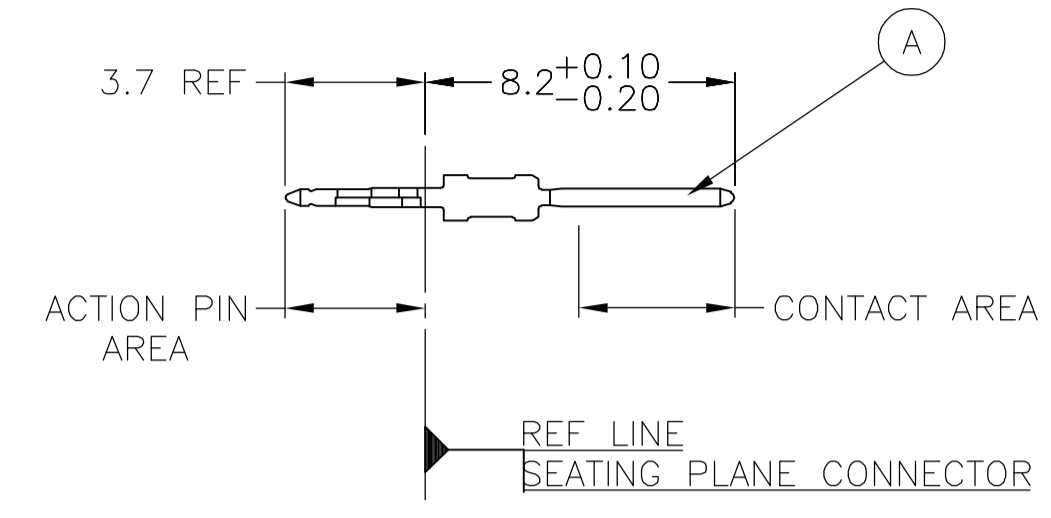
LOC		DIST		REVISIONS				
AD	00	REV	PER	EC	OS12-0318-04	DATE	DWN	APVD
0		REV	PER	EC	OS12-0318-04	29JUL05	BC	GS

**CONNECTOR ASSEMBLY
EXAMPLARY LOADED**



CONTACT DIMENSIONS

SCALE 5:1

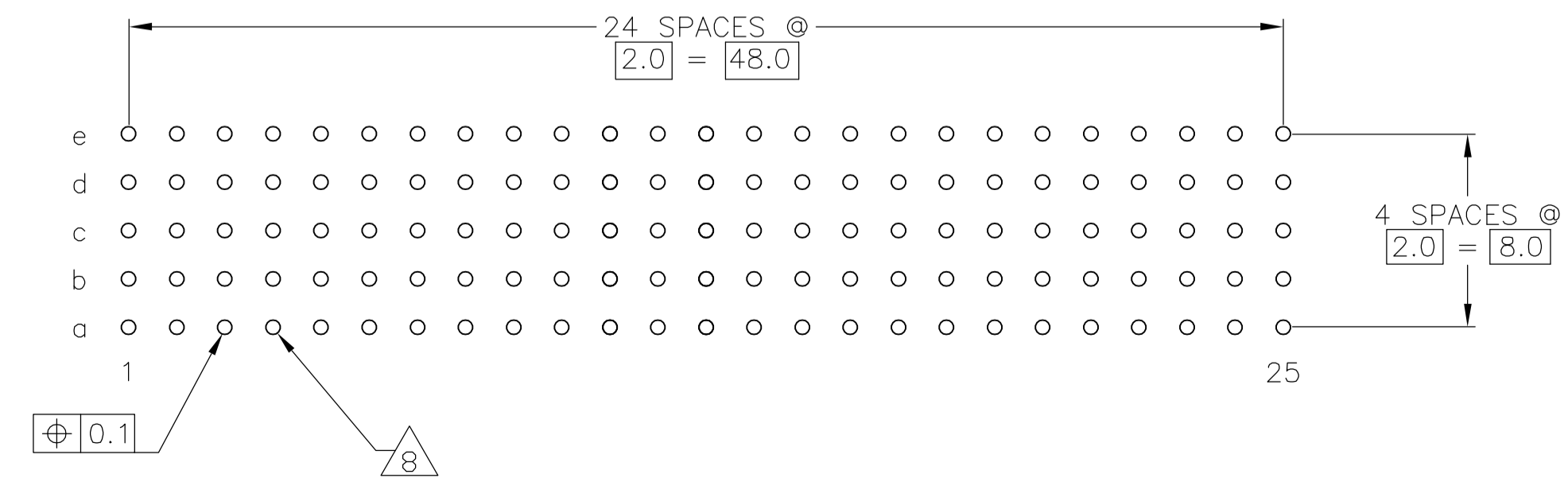


CONTACT LAYOUT

	z	a	b	c	d	e	f
1		A	A	A	A	A	
2		A	A	A	A	A	
3		A	A	A	A	A	
4		A	A	A	A	A	
5		A	A	A	A	A	
6		A	A	A	A	A	
7		A	A	A	A	A	
8		A	A	A	A	A	
9		A	A	A	A	A	
10		A	A	A	A	A	
11		A	A	A	A	A	
12		A	A	A	A	A	
13		A	A	A	A	A	
14		A	A	A	A	A	
15		A	A	A	A	A	
16		A	A	A	A	A	
17		A	A	A	A	A	
18		A	A	A	A	A	
19		A	A	A	A	A	
20		A	A	A	A	A	
21		A	A	A	A	A	
22		A	A	A	A	A	
23		A	A	A	A	A	
24		A	A	A	A	A	
25		A	A	A	A	A	

**RECOMMENDED PCB-HOLE LAYOUT
COMPONENT SIDE SHOWN**

PLATED THRU HOLES PARAMETERS
REFERENCE APPLICATION SPECIFICATION



2 6 12	1-5646731-9
2 5 12	5646731-9
2 4	5646731-4
2 3	5646731-1
FINISH	PART NUMBER

THIS DRAWING IS A CONTROLLED DOCUMENT.

DIMENSIONS: mm	TOLERANCES UNLESS OTHERWISE SPECIFIED:	DIN B CARBO 29JUL05	29JUL05	tyco Tyco Electronics Corporation Harrisburg, Pa 17105-3608
0 PLC ± -	1 PLC ± 0.1	CHK G SKIPPER 29JUL05	29JUL05	NAME: MALE ASSEMBLY, Z-PACK 2mm HM, TYPE A/B
1 PLC ± -	2 PLC ± -	APVD G SKIPPER 29JUL05	29JUL05	PRODUCT SPEC: 108-19082
2 PLC ± -	3 PLC ± -	APPLICATION SPEC: 114-19029	SIZE: A1	RESTRICTED TO: -
3 PLC ± -	4 PLC ± -	WEIGHT: -	CAGE CODE: 00779	DRAWING NO: 5646731
4 PLC ± -	ANGLES ± ±	SEE TABLE	SCALE: 4:1	SHEET: 1 OF 2
MATERIAL: 1	FINISH: SEE TABLE	CUSTOMER DRAWING	SCALE: 4:1	SHEET: 1 OF 2

THIS DRAWING IS UNPUBLISHED. RELEASED FOR PUBLICATION
 © COPYRIGHT BY TYCO ELECTRONICS CORPORATION. ALL RIGHTS RESERVED.

LOC		DIST		REVISIONS			
P	LTR	DESCRIPTION	DATE	DN	APVD		
-	-	SEE SHEET 1	-	-	-	-	-

- 1 MATERIAL:
CONTACT: PHOSPHOR BRONZE.
HOUSING: GLASS-FILLED POLYESTER.
- 2 GENERAL PLATING SPECIFICATION: UNDERPLATING
(ENTIRE CONTACT): 1.27µm MIN NICKEL AND ACTION
PIN: 0.5µm MIN TIN.
FOR PLATING OF MATING SURFACES SEE APPLICABLE
SPECIFICATION REFERENCE FOR EACH DASH NUMBER.
- 3 CONFORMS TO ALL TESTING ACCORDING TO IEC 61076-4-101
PERFORMANCE LEVEL 2.
- 4 CONFORMS TO ALL TESTING ACCORDING TO IEC 61076-4-101
PERFORMANCE LEVEL 1.
- 5 CONNECTOR TESTED AND QUALIFIED AGAINST TELCORDIA GR-1217-CORE QUALITY LEVEL 3,
CENTRAL OFFICE APPLICATIONS.
- 6 CONNECTOR TESTED AND QUALIFIED AGAINST TELCORDIA GR-1217-CORE QUALITY LEVEL 3,
UNCONTROLLED ENVIROMENT APPLICATIONS.
- 7 CONNECTOR MARKED WITH PART NUMBER AND DATE CODE.
ADDITIONAL CHARACTERS OR MARKINGS, AS WELL AS THE LOCATION OF THE MARKINGS,
MAY BE ADDED FOR TRACEABILITY BASED UPON MANUFACTURERS DISCRETION.
- 8 PLATED-THROUGH HOLES AT 2x2mm SQUARE GRID
PATTERN DEFINED BY CONTACT LAYOUT.
- 9 FOR ACTUAL PIN LOADING SEE "CONTACT LAYOUT".
- 10 FOR ACTUAL PIN DIMENSIONS SEE "CONTACT DIMENSIONS".
- 11 TO BE MEASURED AT BOTTOM OF SHROUD.
- 12 CONNECTOR LUBRICATED WITH BELCORE APPROVED LUBRICANT,
TECHNICAL REFERENCE: TR-NWT-001217 ISSUE 1, SEP 1992.

THIS DRAWING IS A CONTROLLED DOCUMENT.		DIN B CARBO	29JUL05	tyco Electronics	Tyco Electronics Corporation Harrisburg, Pa 17105-3608	
		CHK G SKIPPER	29JUL05			
		APVD G SKIPPER	29JUL05	NAME MALE ASSEMBLY, Z-PACK 2mm HM, TYPE A/B		
DIMENSIONS: mm		TOLERANCES UNLESS OTHERWISE SPECIFIED:		PRODUCT SPEC		
		0 PLC	± -	APPLICATION SPEC		
		1 PLC	± 0.1	108-19082		
		2 PLC	± -	114-19029		
		3 PLC	± -	SIZE		
		4 PLC	± -	CAGE CODE		DRAWING NO
		ANGLES	± ± -	A1 00779		5646731
MATERIAL SEE SHEET 1		FINISH SEE SHEET 1		WEIGHT -		RESTRICTED TO -
CUSTOMER DRAWING				SCALE	4:1	SHEET 2 OF 2
				REV	0	