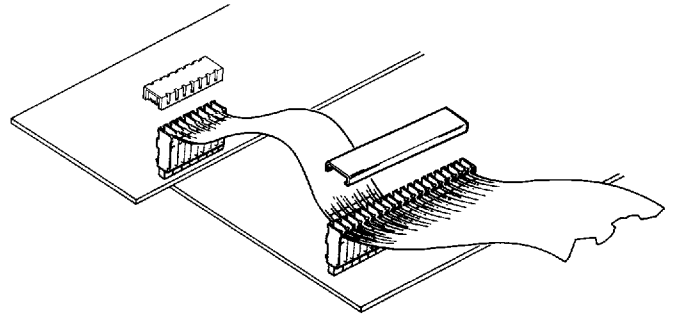
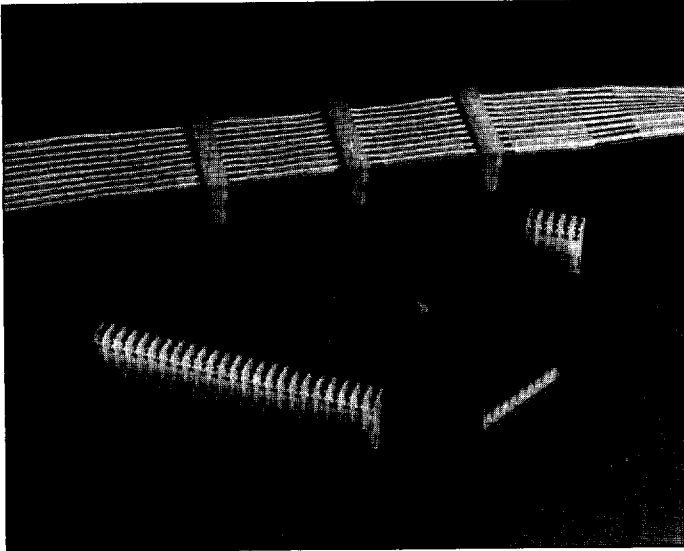


A-601-05-11 D

.156" \varnothing End and Through Connectors



A

PANDUIT'S .156" centerline MAS-CON connectors allow a reliable and economical method to bring power to a printed circuit board using discrete wire or pre-notched flat cable. Connectors offered in Circuit End (CE) and Circuit Through (CT) styles have color coded ribs for AWG size identification. Green solid circles below ribs are also used to identify the CT connector which is used for daisychain applications. Optimum connector performance is provided by the IDC contacts piercing the insulation of each wire on two sides to make four (4) gas-tight connections. Contacts are copper alloy with tin over nickel plating.

Performance Data

MATERIALS

- Housing:** 6/6 Nylon, U.L. 94 V-2 Rated
- Contact:** Copper Alloy
- Plating:** 200 μ " Tin Over Nickel
30 μ " Gold Over Nickel (Contact Factory)
15 μ " Gold Over Nickel (Contact Factory)

MECHANICAL

- Mating Force:** 1.3 lbs. Max. per contact
- Unmating Force:** 1.5 lbs. Min. per contact
- Wire Range:** .040"/.090" Outside Diameter
- Recommended Wire:** PVC; U.L. Styles 1007, 1061, 1095, 1429, 1430, 2651 (Flat Cable) and MIL-W-16878.
- Teflon: U.L. Style 1213; Type G, MIL-W-16878E148; Type ET, MIL-W-16878E16; Type KT, MIL-W-16878; Type K, MIL-W-16878

TEMPERATURE

Range: -67°F to 185°F (-55°C to 85°C)

AGENCY APPROVALS

U.L. Recognized — File No. E73711
C.S.A. Certified — File No. 46657

ELECTRICAL

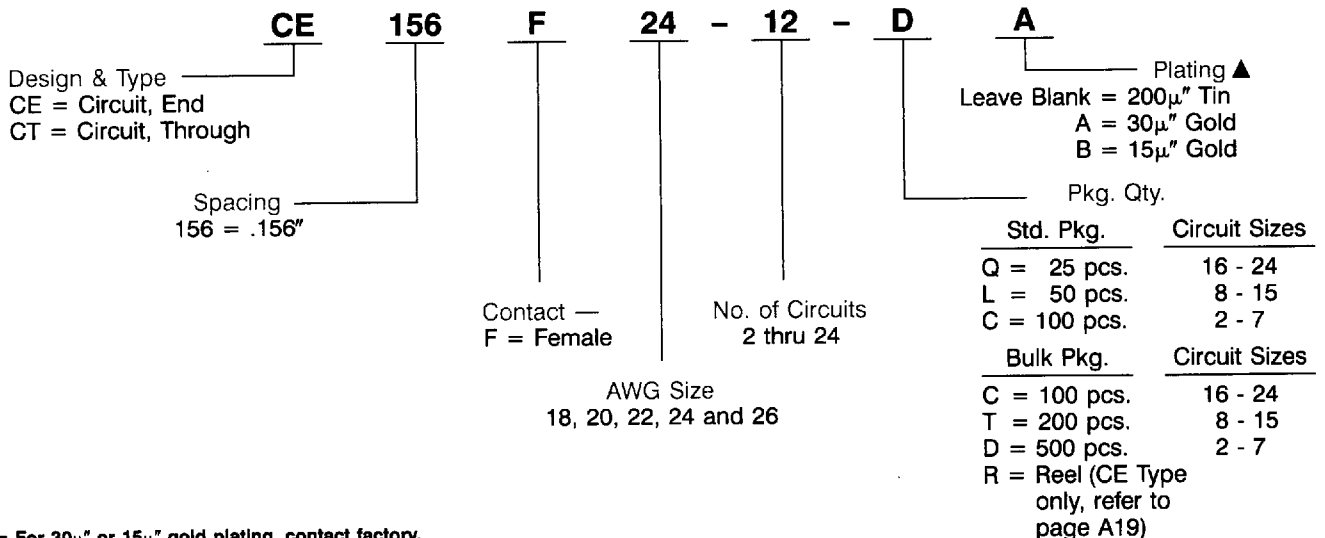
- Current Rating:** 18 AWG — 8.0 Amps
20 AWG — 7.5 Amps
22 AWG — 6.5 Amps
24 AWG — 5.0 Amps
26 AWG — 4.0 Amps

Dielectric Withstanding Voltage: 3 KVAC Min.*

Insulation Resistance: 5,000 Megohms Min.*

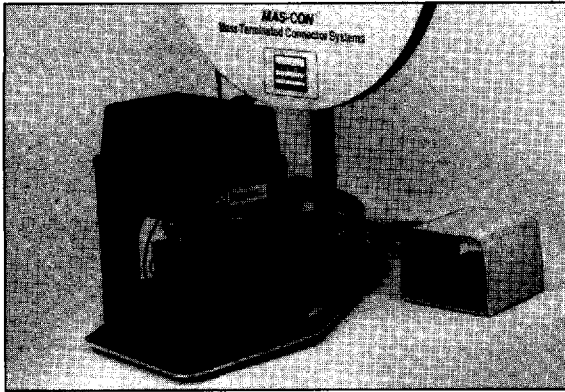
*Between adjacent contacts

Part Number System

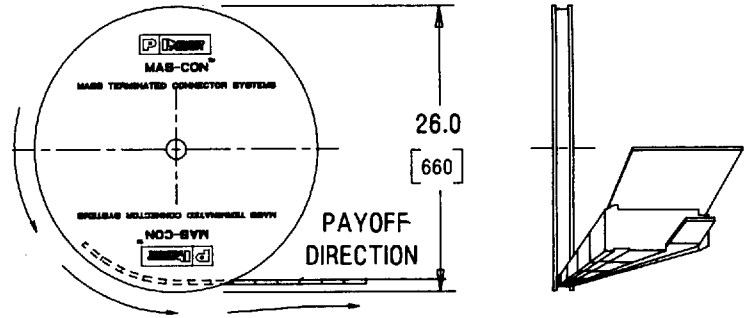


▲ = For 30 μ " or 15 μ " gold plating, contact factory.

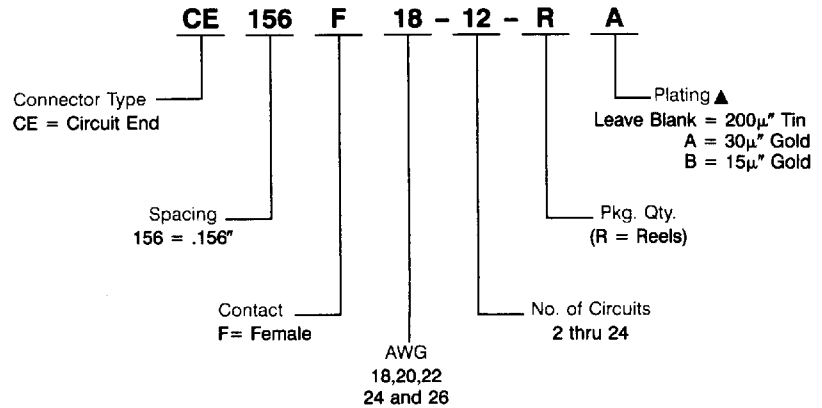
.156" Q End Connectors Reel Packaging — Type CE



PANDUIT'S high-volume reel-fed system provides maximum reliability and lowest installed cost. With connectors on tape, the system is ideally suited for long uninterrupted production runs of jumpers using pre-notched flat cable. This system is capable of approximately 2000 terminations per hour.



Part Number System



▲ = For 30μ" or 15μ" gold plating, contact factory.

Ordering Information

No. of Ckts.	WIRE SIZE/AWG COLOR					Pcs Per Reel
	26 AWG/Blue	24 AWG/Black	22 AWG/Red	20 AWG/Brown	18 AWG/Orange	
2	CE156F26- 2-R	CE156F24- 2-R	CE156F22- 2-R	CE156F20- 2-R	CE156F18- 2-R	3,500
3	CE156F26- 3-R	CE156F24- 3-R	CE156F22- 3-R	CE156F20- 3-R	CE156F18- 3-R	2,300
4	CE156F26- 4-R	CE156F24- 4-R	CE156F22- 4-R	CE156F20- 4-R	CE156F18- 4-R	1,750
5	CE156F26- 5-R	CE156F24- 5-R	CE156F22- 5-R	CE156F20- 5-R	CE156F18- 5-R	1,400
6	CE156F26- 6-R	CE156F24- 6-R	CE156F22- 6-R	CE156F20- 6-R	CE156F18- 6-R	1,150
7	CE156F26- 7-R	CE156F24- 7-R	CE156F22- 7-R	CE156F20- 7-R	CE156F18- 7-R	1,000
8	CE156F26- 8-R	CE156F24- 8-R	CE156F22- 8-R	CE156F20- 8-R	CE156F18- 8-R	875
9	CE156F26- 9-R	CE156F24- 9-R	CE156F22- 9-R	CE156F20- 9-R	CE156F18- 9-R	775
10	CE156F26-10-R	CE156F24-10-R	CE156F22-10-R	CE156F20-10-R	CE156F18-10-R	700
11	CE156F26-11-R	CE156F24-11-R	CE156F22-11-R	CE156F20-11-R	CE156F18-11-R	325
12	CE156F26-12-R	CE156F24-12-R	CE156F22-12-R	CE156F20-12-R	CE156F18-12-R	300
13	CE156F26-13-R	CE156F24-13-R	CE156F22-13-R	CE156F20-13-R	CE156F18-13-R	275
14	CE156F26-14-R	CE156F24-14-R	CE156F22-14-R	CE156F20-14-R	CE156F18-14-R	255
15	CE156F26-15-R	CE156F24-15-R	CE156F22-15-R	CE156F20-15-R	CE156F18-15-R	240
16	CE156F26-16-R	CE156F24-16-R	CE156F22-16-R	CE156F20-16-R	CE156F18-16-R	225
17	CE156F26-17-R	CE156F24-17-R	CE156F22-17-R	CE156F20-17-R	CE156F18-17-R	210
18	CE156F26-18-R	CE156F24-18-R	CE156F22-18-R	CE156F20-18-R	CE156F18-18-R	200
19	CE156F26-19-R	CE156F24-19-R	CE156F22-19-R	CE156F20-19-R	CE156F18-19-R	190
20	CE156F26-20-R	CE156F24-20-R	CE156F22-20-R	CE156F20-20-R	CE156F18-20-R	180
21	CE156F26-21-R	CE156F24-21-R	CE156F22-21-R	CE156F20-21-R	CE156F18-21-R	170
22	CE156F26-22-R	CE156F24-22-R	CE156F22-22-R	CE156F20-22-R	CE156F18-22-R	165
23	CE156F26-23-R	CE156F24-23-R	CE156F22-23-R	CE156F20-23-R	CE156F18-23-R	155
24	CE156F26-24-R	CE156F24-24-R	CE156F22-24-R	CE156F20-24-R	CE156F18-24-R	150

NOTE:
1. Contact factory for gold plating.