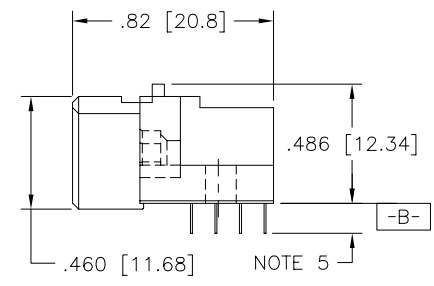
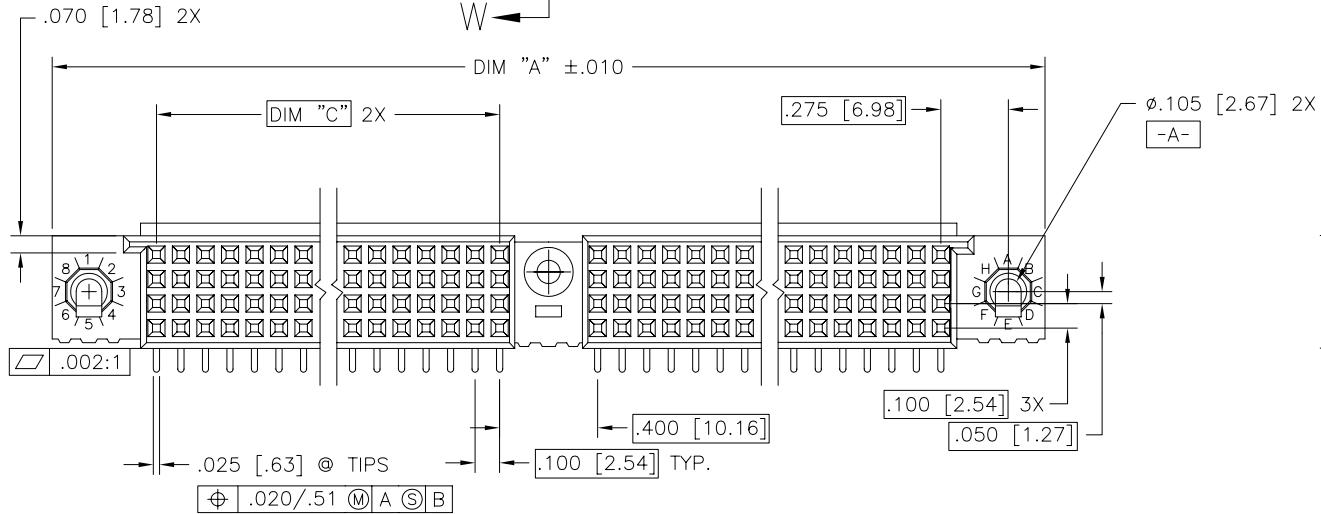
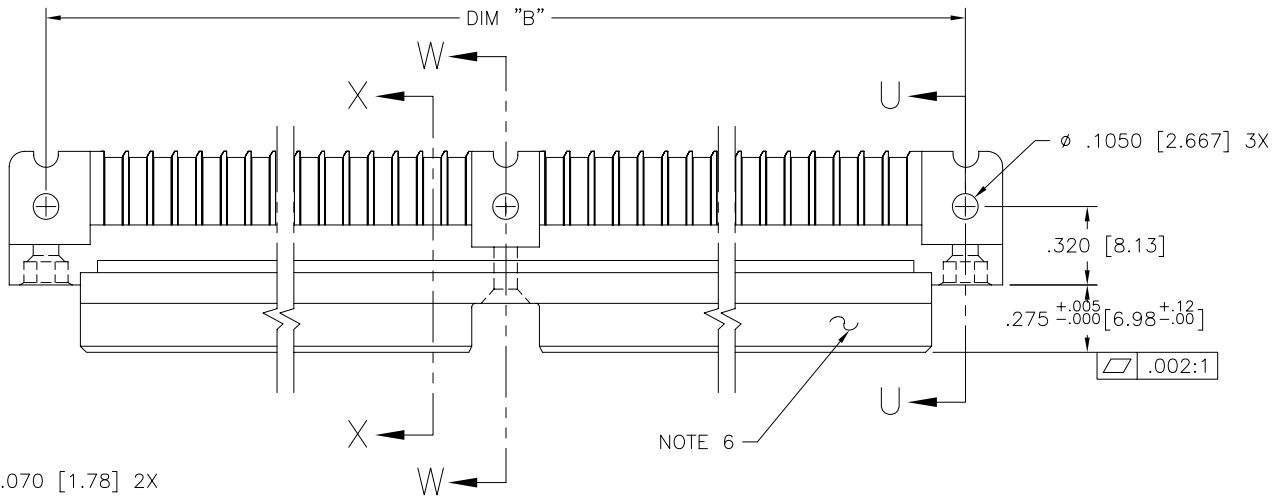




FCIconnect.com

Copyright FCI

PRODUCT NUMBER
SEE NOTE 1



mat'l. code NOTE 3		surface ISO 1302 ✓	tolerance ISO 406 ISO 1101	projection ⊕	product family HPC
ltr	ecn	no	dr	date	tolerances unless otherwise specified
D	v41511	GAH	10/13/94		angles
E	v50266	SAR	9/5/95		linear
F	v91228	HTB	6/3/99	0°±2'	.xx±.01/.3 .xxx±.005/.13 .xxxx±.0020/.051
G	v00257	JWS	1/21/00	dr	D.SHEAFFER 8/27/92
H	v20646	MEM	5/24/02	enr	S.CLARK 9/30/92
J	v21608	TAB	10/08/02	chr	S.CLARK 9/30/92
K	M06-0283	MHT	7/27/06	appd	S.CLARK 9/30/92
sheet	revision	K	K		
index	sheet	1	2		



title
4 ROW R/A RECEPTACLE
GENERIC MOUNT, S.T.B. 1 G.P.

scale 1:1

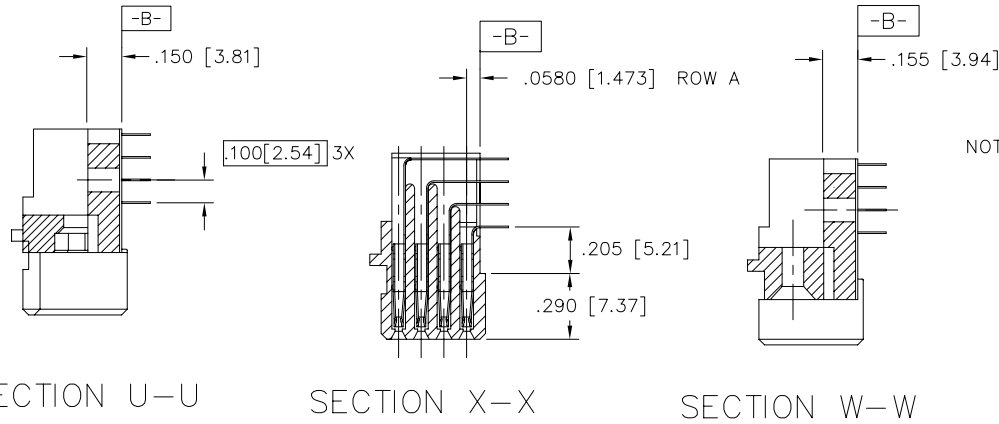
dwg no
50577

sheet 1 of 2 size
A3

type Product Customer Drawing

form: A3

PRODUCT NUMBER	DIM.	LENGTH FORMULAS
SEE NOTE 1	DIM A	$.100/2.54 \times \text{NO. OF COLUMNS} + 1.05/26.7$
	DIM B	$.100/2.54 \times \text{NO. OF COLUMNS} + .750/19.05$
	DIM C	$.100/2.54 \times \text{NO. OF COLUMNS DIVIDED BY 2} - .100/2.54$

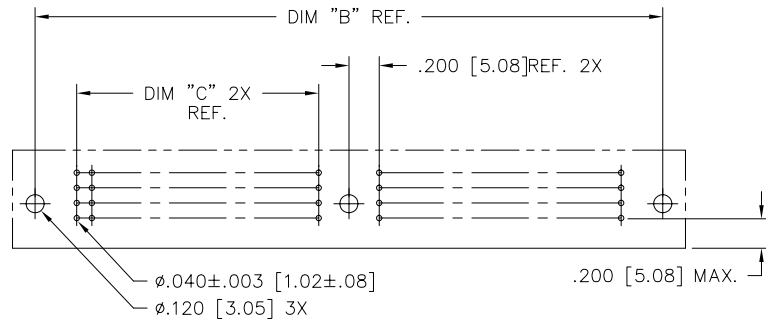


NOTES:

① PRODUCT NUMBERING CODE:
 50577 - X.YYY.Z
 X: TAIL LENGTH (NOTE 5)
 YYY: NO. OF POSITIONS (NOTE 2)
 Z: PLATING (NOTE 4)
 (Base Number)

PRODUCT NUMBERING CODE FOR SELECT LOAD PART NUMBERS:
 50577 - XXXXX
 XXXXX: SEQUENCE NUMBER
 ALWAYS 'XX'
 (Base Number)

- ② THIS PRODUCT IS CONFIGURED IN SIZES OF 20 THRU 122 COLUMNS IN INCREMENTS OF TWO. i.e.: 20,22,24,26,.....118,120,122.
- ③ HOUSING MATERIAL: GLASS AND MINERAL FILLED HIGH TEMP. THERMOPLASTIC. FLAME RETARDANT PER UL94V-0. COLOR: BLACK. CONTACT MATERIAL: BeCu
- ④ PLATING CONTACT AREA OPTIONS:
 1 = 30u"/.76u GOLD
 3 = 50u"/1.27u GOLD
 5 = 30u"/.76u GXT
 ALL SOLDER TAILS TIN/LEAD
- ⑤ TAIL LENGTH OPTIONS:
 E = .125±.010 / 3.18±.25
 F = .145±.010 / 3.68±.25
 H = .180±.010 / 4.57±.25
- ⑥ MANUFACTURE'S NAME, PART NUMBER AND LOT CODE TO APPEAR ON THIS SURFACE PER BUS-12-108.
7. FOR DOCUMENTATION MENU, SEE BUS-01-057.



RECOMMENDED PCB LAYOUT
 (ALL HOLES LOCATED ON .100 [2.54] GRID UNLESS OTHERWISE SPECIFIED)

mat'l. code NOTE 3		surface ISO 1302 ✓	tolerance ISO 406 ISO 1101	projection ⊕	product family HPC
ltr	ecn	no	dr	date	tolerances unless otherwise specified
K					angles linear .xx±.01/.3 .xxx±.005/.13 .xxxx±.0020/.051
					INCH/MM
					scale 1:1
			dr	D.SHEAFFER	8/27/92
			enr	S.CLARK	9/30/92
			chr	S.CLARK	9/30/92
			appd	S.CLARK	9/30/92
sheet index		revision sheet			
					title 4 ROW R/A RECEPTACLE GENERIC MOUNT, S.T.B. 1 G.P.
					dwg no 50577
					sheet 2 of 2 size A3
					type Product Customer Drawing