



Connectors > RF Connectors > Coax Connectors



RF Interface: **TNC**

RF Connector Style: **Jack**

RF Connector Mated Outer Diameter (Approximate): **16.26 mm [.64 in]**

Impedance: **50 Ω**

Compatible With RF Cable Type: **RG 402 Semi-Rigid**

Features

Product Type Features

Connector Seal & Plug Type	Gasket
RF Interface	TNC
RF Connector Style	Jack
Compatible With RF Cable Type	RG 402 Semi-Rigid
Connector System	Cable-to-Panel
Sealable	Yes
Connector & Contact Terminates To	Wire & Cable

Configuration Features

Number of Positions	1
Number of Coaxial Contacts	1

Electrical Characteristics

Impedance	50 Ω
-----------	------

Body Features

Cable Connector Orientation	Straight
Body Material	Stainless Steel
Body Material Finish	Plated

Body Plating Material	Gold
-----------------------	------

Contact Features

RF Connector Center Contact Underplating Material	Copper, Nickel
---------------------------------------------------	----------------

RF Connector Center Contact Plating Material	Gold
----------------------------------------------	------

RF Connector Center Contact Material	Beryllium Copper
--------------------------------------	------------------

Termination Features

Termination Method to Wire & Cable	Solder Terminal
------------------------------------	-----------------

Mechanical Attachment

RF Connector Coupling Mechanism	Threaded
---------------------------------	----------

Connector Mounting Type	Panel Mount
-------------------------	-------------

Detent	Without
--------	---------

Dimensions

RF Connector Mated Outer Diameter (Approximate)	16.26 mm[.64 in]
-------------------------------------------------	------------------

Usage Conditions

Operating Temperature Range	-65 – 105 °C[-85 – 221 °F]
-----------------------------	----------------------------

Operation/Application

Operating Frequency	15 GHz
---------------------	--------

Packaging Features

Packaging Method	Carton
------------------	--------

Other

Coupling Nut Base Material	Stainless Steel
----------------------------	-----------------

Grade	Military
-------	----------

Dielectric Material	TFE Fluorocarbon
---------------------	------------------

Product Compliance

[For compliance documentation, visit the product page on TE.com>](#)

EU RoHS Directive 2011/65/EU	Compliant with Exemptions
------------------------------	---------------------------

EU ELV Directive 2000/53/EC	Compliant with Exemptions
-----------------------------	---------------------------

China RoHS 2 Directive MIIT Order No 32, 2016	Restricted Materials Above Threshold
-----------------------------------------------	--------------------------------------

EU REACH Regulation (EC) No. 1907/2006	Current ECHA Candidate List: JUNE 2023 (235)
----------------------------------------	----------------------------------------------

Candidate List Declared Against: JUL 2021
(219)

SVHC > Threshold:

Pb (3.7% in Component Part)

Article Safe Usage Statements:

Do not eat, drink or smoke when using this product. Wash thoroughly after handling. Recycle if possible and dispose of the article by following all applicable governmental regulations relevant to your geographic location.

Halogen Content

Low Bromine/Chlorine - Br and Cl < 900 ppm per homogenous material. Also BFR /CFR/PVC Free

Solder Process Capability

Not applicable for solder process capability

Product Compliance Disclaimer

This information is provided based on reasonable inquiry of our suppliers and represents our current actual knowledge based on the information they provided. This information is subject to change. The part numbers that TE has identified as EU RoHS compliant have a maximum concentration of 0.1% by weight in homogenous materials for lead, hexavalent chromium, mercury, PBB, PBDE, DBP, BBP, DEHP, DIBP, and 0.01% for cadmium, or qualify for an exemption to these limits as defined in the Annexes of Directive 2011/65/EU (RoHS2). Finished electrical and electronic equipment products will be CE marked as required by Directive 2011/65/EU. Components may not be CE marked. Additionally, the part numbers that TE has identified as EU ELV compliant have a maximum concentration of 0.1% by weight in homogenous materials for lead, hexavalent chromium, and mercury, and 0.01% for cadmium, or qualify for an exemption to these limits as defined in the Annexes of Directive 2000/53/EC (ELV). Regarding the REACH Regulation, the information TE provides on SVHC in articles for this part number is based on the latest European Chemicals Agency (ECHA) 'Guidance on requirements for substances in articles' posted at this URL: <https://echa.europa.eu/guidance-documents/guidance-on-reach>

Compatible Parts



TE Part # 1-329631-2
JAM NUT, PLATED



TE Part # CAT-076-TNCF50
TNC Connector: Plug, 50 Ohm



TE Part # 5225555-6
TNC PLUG DUAL W/P TR



TE Part # 225555-6
TNC PLUG DUAL W/P TR



TE Part # 5225555-5
TNC PLUG DUAL W/P TR

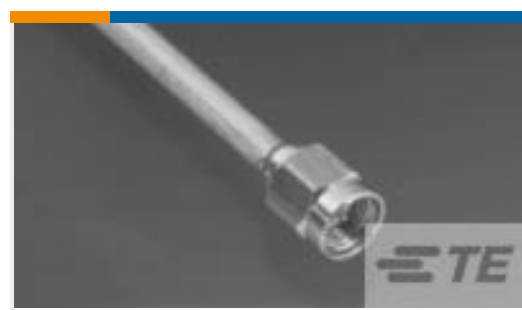


TE Part # 1-225554-1
TNC-DUAL CMP R/ANGLE PLUG-W/P

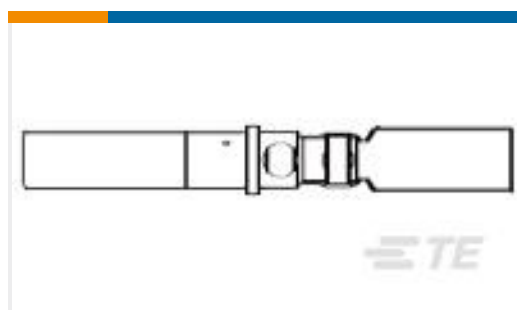


TE Part # 225554-6
TNC RT ANG PLUG DUAL W/P

Customers Also Bought



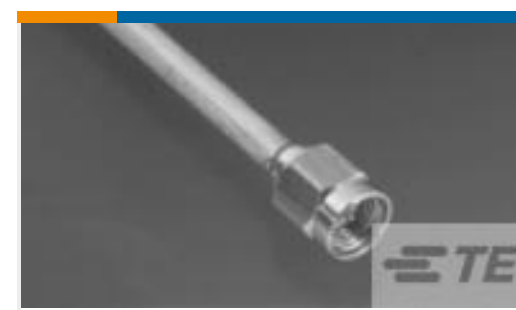
TE Part #1050548-1
2001 5032 02



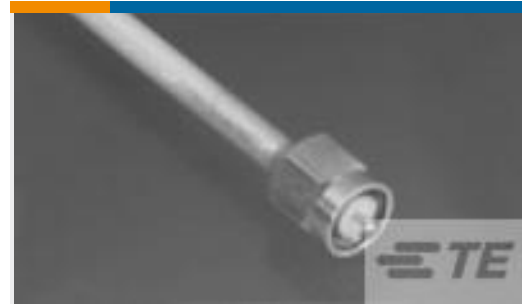
TE Part #119468-000
D-602-0141



TE Part #CV3305-000
RW-175-3/8-X-STK



TE Part #1050525-1
2001 5003 02,SMA CABLE PLUG



TE Part #1050611-1
2001 5443 02



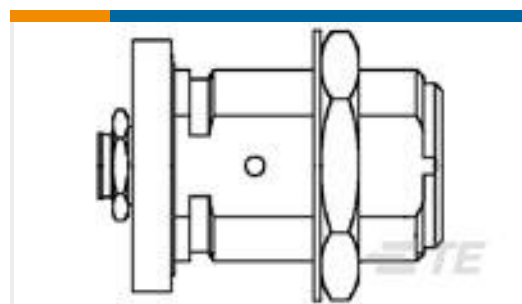
TE Part #1050756-1
2001 7941 00



TE Part #1053222-1
2058 5029 02



TE Part #1057159-1
3004 7941 00



TE Part #1058628-1
3604 7841 02



TE Part #1053488-1
2080 0000 00

Documents

Product Drawings

3104 7941 00

English

CAD Files

3D PDF

3D

Customer View Model

[ENG_CVM_CVM_1057676-1_C.2d_dxf.zip](#)

English

Customer View Model

[ENG_CVM_CVM_1057676-1_C.3d_igs.zip](#)

English

Customer View Model

[ENG_CVM_CVM_1057676-1_C.3d_stp.zip](#)

English

By downloading the CAD file I accept and agree to the [Terms and Conditions](#) of use.

Datasheets & Catalog Pages



TNC Connectors

English

[1-1773725-8_RF_COAX_QRG](#)

English

Product Environmental Compliance

TE Material Declaration

English

Instruction Sheets

Instruction Sheet (U.S.)

English